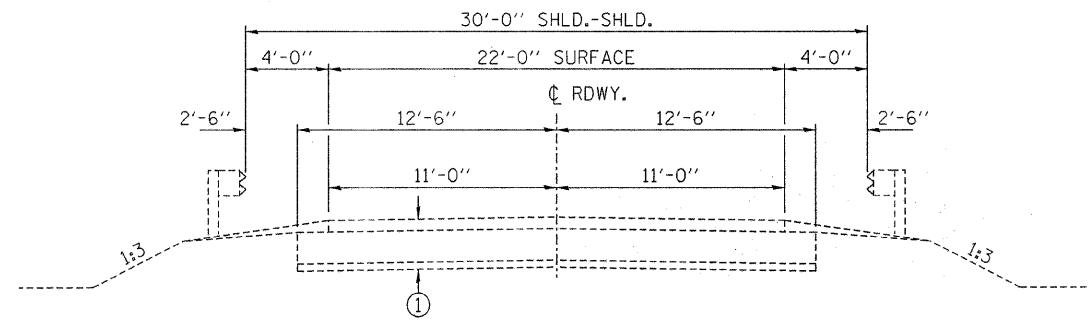
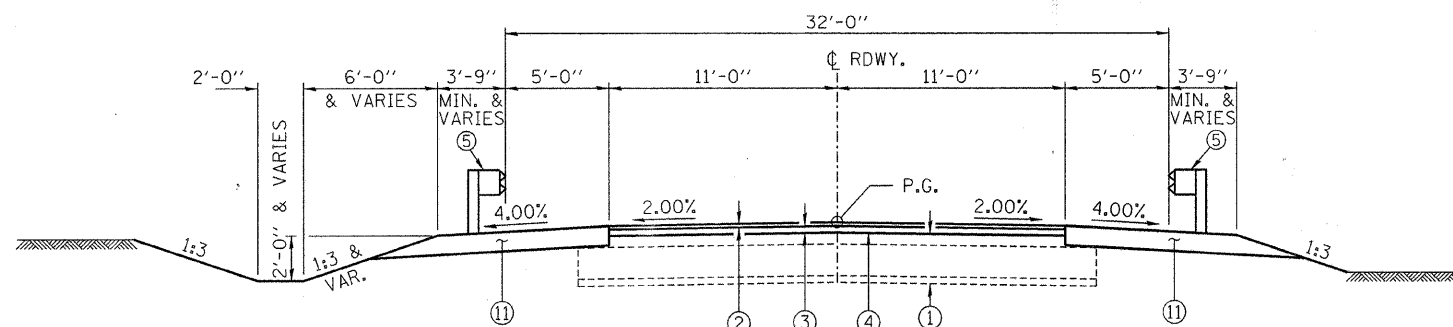


ROUTE NO.	SECTION	COUNTY	TOTAL SHEETS	SHEET NO.
C.H. 36	07-00045-03-BR	MCLEAN	27	3
FED. ROAD DIST. NO.		ILLINOIS CONTRACT NO. 91388		



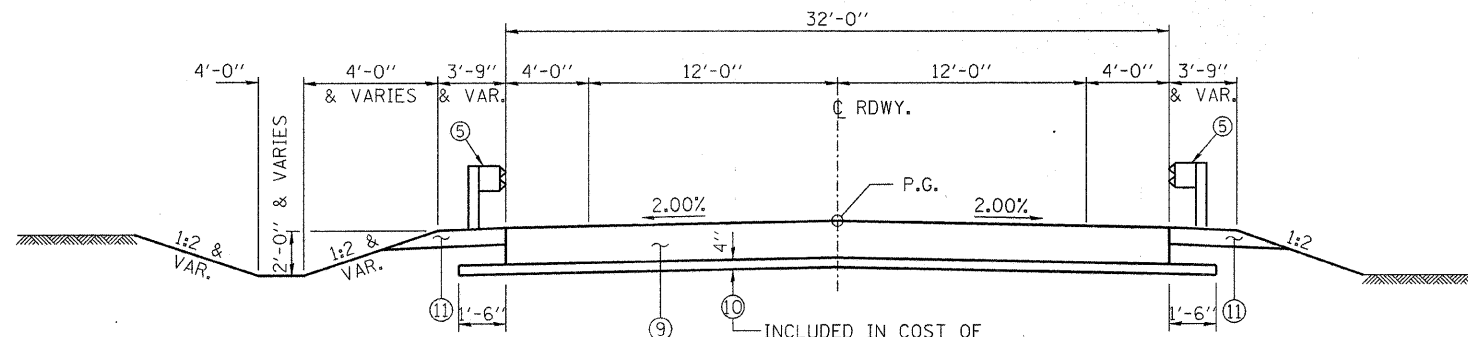
EXISTING TYPICAL SECTION
STA. 7+00 TO STA. 13+00



PROPOSED TYPICAL CROSS SECTION
STA. 7+00.00 TO STA. 9+23.63
STA. 10+76.37 TO STA. 13+00.00

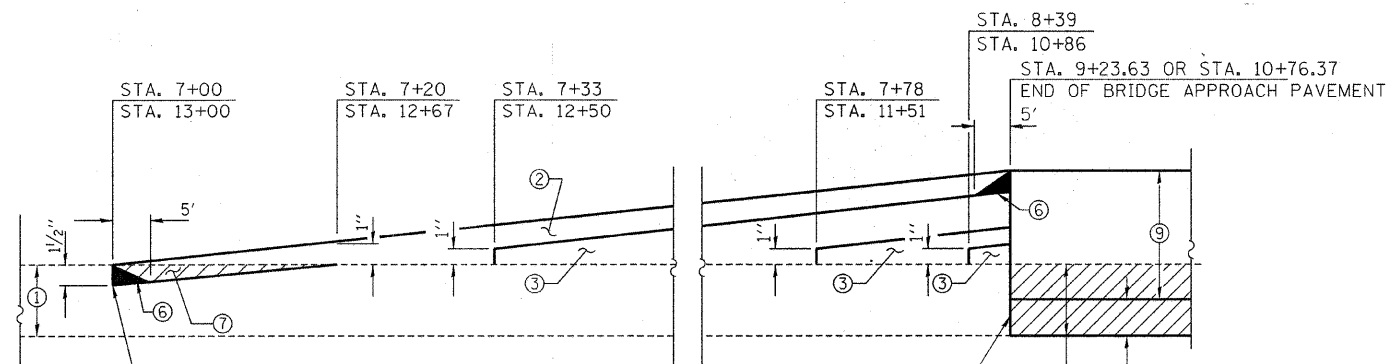
SUGGESTED CUT SECTION
CONSTRUCT AS SHOWN IN
STATION CROSS SECTIONS

SUGGESTED FILL SECTION
CONSTRUCT AS SHOWN IN
STATION CROSS SECTIONS

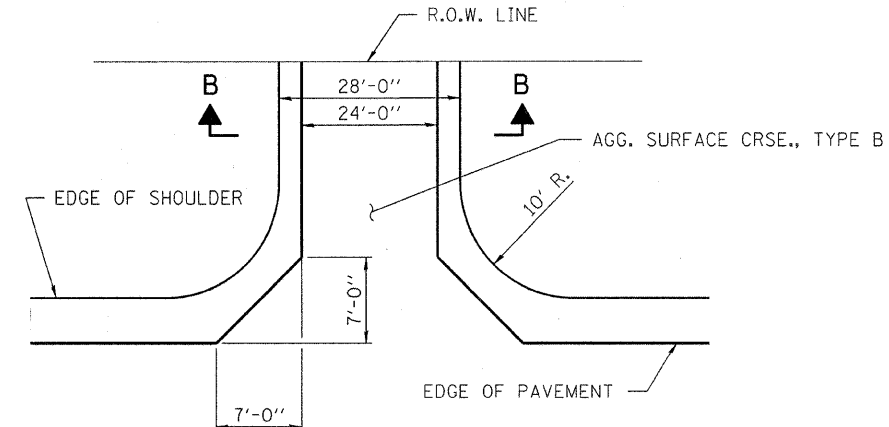


TYPICAL CROSS SECTION
STA. 9+23.63 TO STA. 9+53.63
STA. 10+46.37 TO STA. 10+76.37

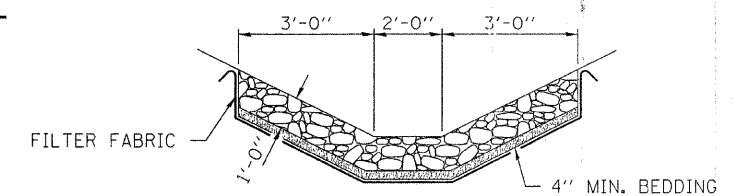
NOTE: CURBS ARE NOT REQUIRED ON THE BRIDGE APPROACH PAVEMENT



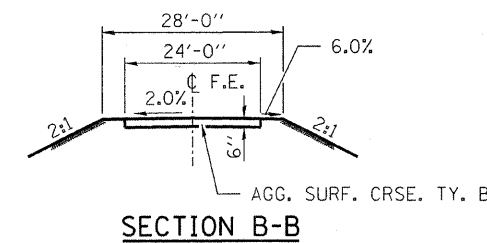
PAVEMENT TRANSITION DETAIL
AS DIRECTED BY THE ENGINEER



PRIVATE ENTRANCE DETAIL



RIPRAP (SPECIAL)
LT. STA. 9+00 TO STA. 9+74
SEE SHEET 14.



SECTION B-B

NOTES

- HOT-MIX ASPHALT SURFACE REMOVAL SHALL ONLY BE USED AT THE DIRECTION OF THE ENGINEER IF NEEDED TO TRANSITION TO EXISTING GRADE. OTHERWISE PAVEMENT SHALL MATCH THE APPROVED SECTION CONSTRUCTED BY OTHERS.
- COST OF SAWCUT SHALL BE INCLUDED IN THE UNIT COST BID FOR BRIDGE APPROACH PAVEMENT.

LEGEND

- EXISTING CLASS I WEARING SURFACE (3") ON FULL DEPTH AGGREGATE SURFACE COURSE (9") ON SALVAGED AGGREGATE BASE (2")
- HOT-MIX ASPHALT SURFACE COURSE, MIX C, N50 (1 1/2" THICKNESS)
- HOT-MIX ASPHALT BINDER COURSE, IL-19.0, N50 (2 3/4" MIN. 4" MAX.) VARIABLE DEPTH
- BITUMINOUS MATERIALS (PRIME COAT)
- STEEL PLATE BEAM GUARD RAIL. SEE SCHEDULE OF QUANTITIES FOR STATIONING
- TEMPORARY RAMP AT 1:40 (SEE ARTICLE 406.18)
- HOT-MIX ASPHALT SURFACE REMOVAL - BUTT JOINT
- PAVEMENT REMOVAL
- BRIDGE APPROACH PAVEMENT STD. 420401-06
- SUB-BASE GRANULAR MATERIAL, TY A, 4" (INCIDENTAL TO BRIDGE APPROACH PAVEMENT)
- AGGREGATE SHOULDERS, TYPE B (6" DEPTH)

HAMPTON, LENZINI & RENWICK, INC.
CIVIL & STRUCTURAL ENGINEERS
LAND SURVEYORS

3085 STEVENSON DRIVE, SUITE 201
SPRINGFIELD, ILLINOIS 62703
(217) 646-3400

ELGIN • SPRINGFIELD

PROJECT NUMBER: 12-59-0055-1 DATE: 01/22/09
DESIGNED: S.W.M. CHECKED: L.F.S. DRAWN: D.A.B.

TYPICAL CROSS SECTIONS
SECTION 07-00045-03-BR
C.H. 36 / F.A.S. 487
MCLEAN COUNTY