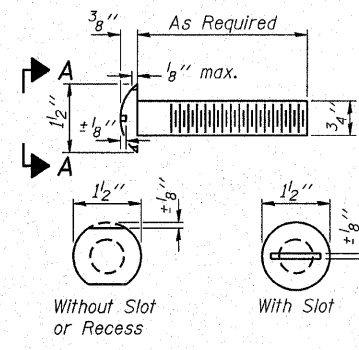
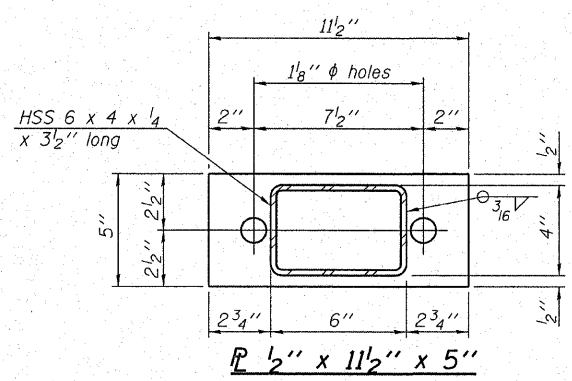


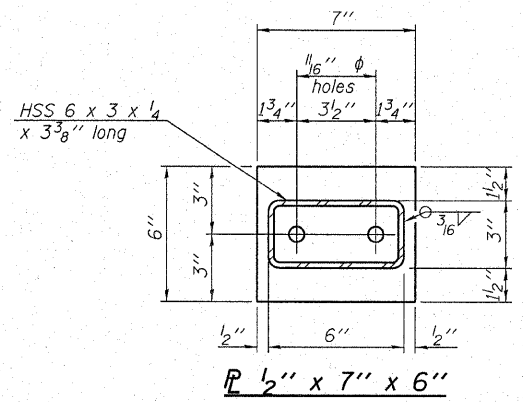
ROUTE NO.	SECTION	COUNTY	TOTAL SHEETS	SHEET NO.
C.H. 36	07-00045-03-BR	McLEAN	27	20
FED. ROAD DIST. NO.		ILLINOIS CONTRACT NO. 91388		



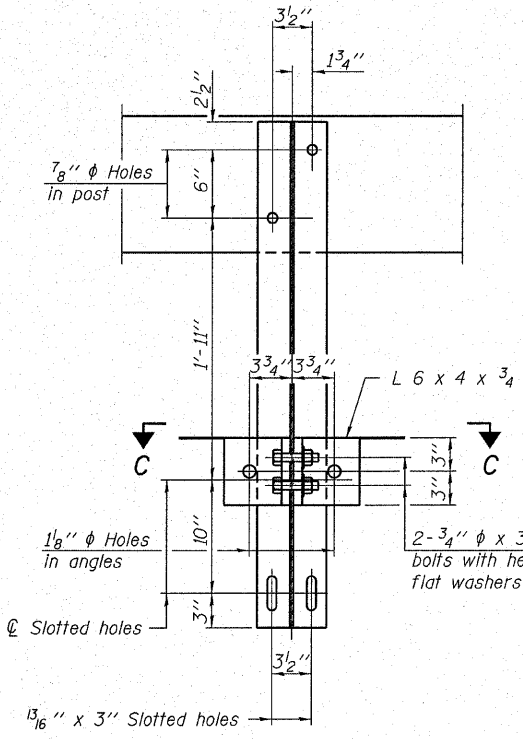
VIEW A-A
ROUND HEAD BOLT



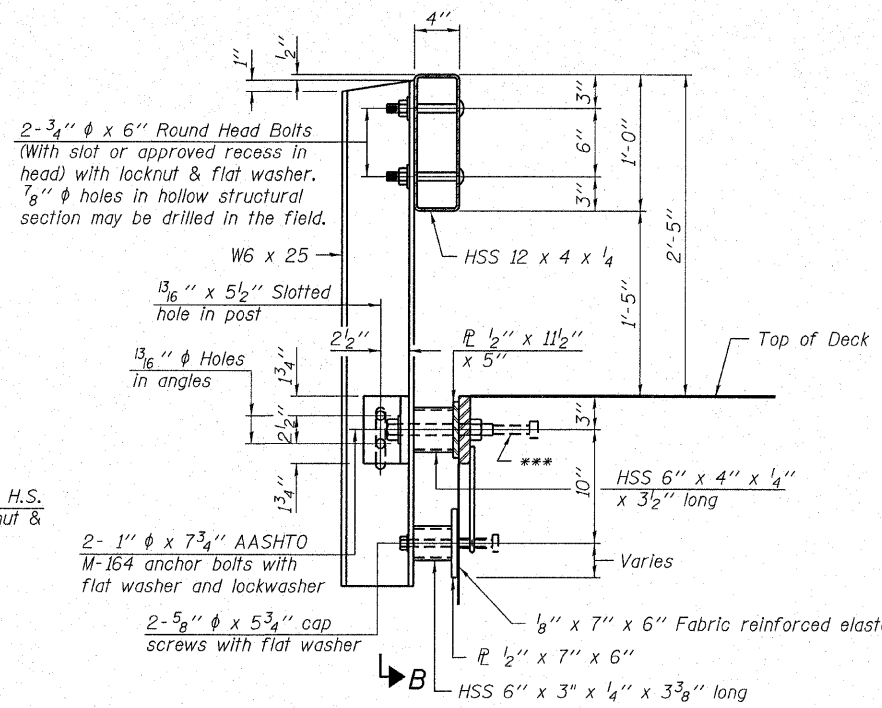
PL 1/2" x 11 1/2" x 5"



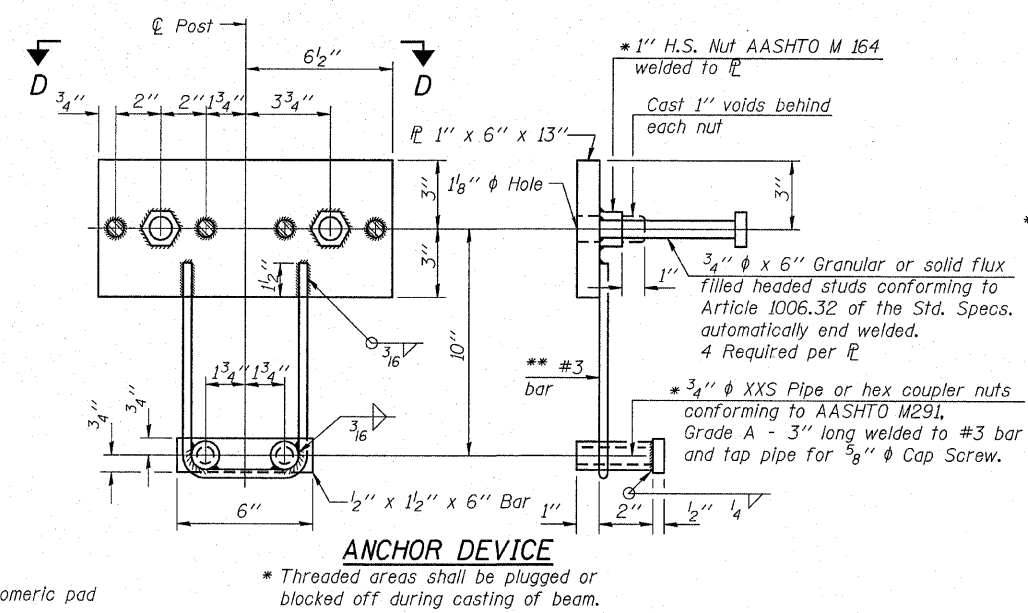
PL 1/2" x 7" x 6"



SECTION B-B

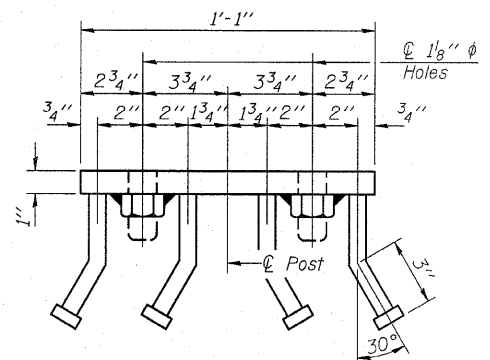


SECTION AT RAILING POST

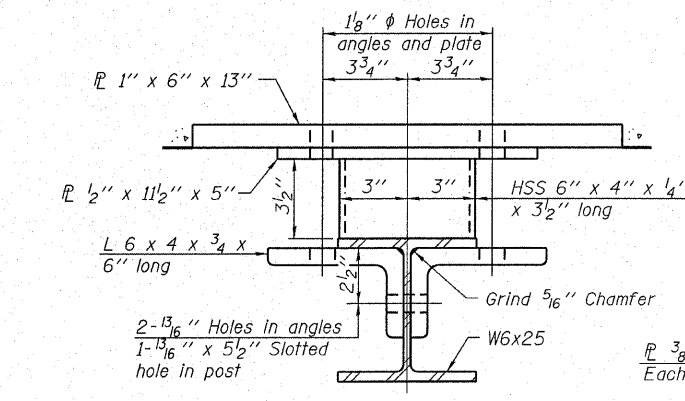


ANCHOR DEVICE

Notes:
All field drilled holes shall be coated with an approved zinc rich paint before erection.
For multi-span bridges, sufficient 1/4" x 6" x 1'-2" galvanized steel shims shall be provided to align rail between adjacent spans. Cost included with Steel Railing, Type S-1.
All steel rail elements shall be galvanized according to Article 509.05 of the Standard Specifications.
*** The studs of the anchor devices shall be placed below the top reinforcement bars and the outermost longitudinal reinforcement bar shall be placed directly above the studs of the rail post anchor device.

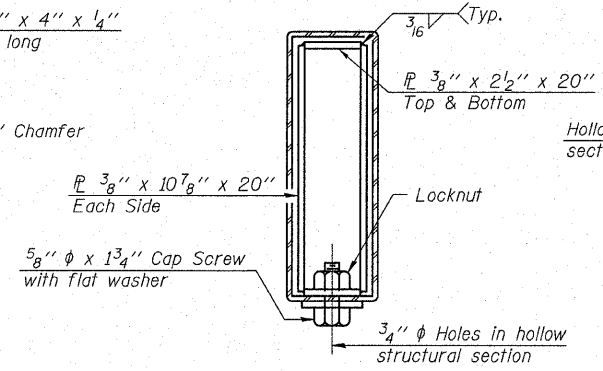


VIEW D-D

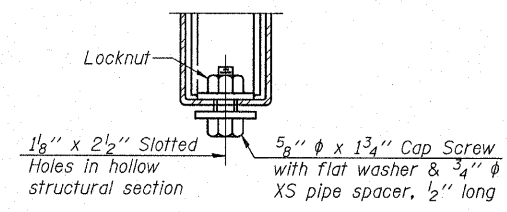


SECTION C-C

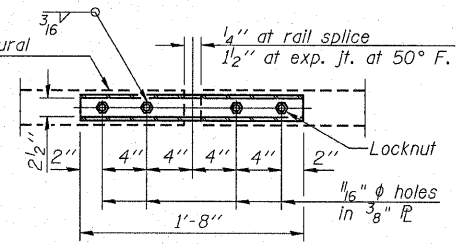
*** Whenever the lower insert assemblies interfere with strand locations, the #3 bars shall be cut and adjusted in order to allow raising or lowering of the lower inserts. Maximum adjustment not to exceed 1/2 inch.



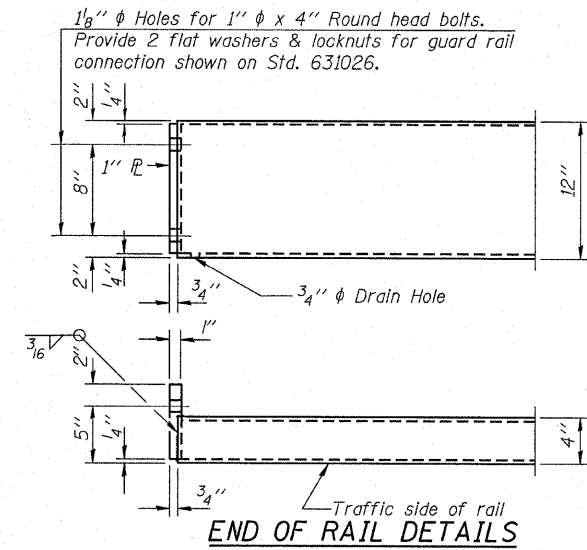
SECTIONS AT RAIL SPLICE



RAIL SPLICE CONNECTION AT EXPANSION JT.



PLAN-BOTT. SPLICE PL TYPICAL



END OF RAIL DETAILS

BILL OF MATERIAL

Item	Unit	Quantity
Steel Railing, Type S-1	Foot	194

HAMPTON, LENZINI & RENWICK, INC.
CIVIL & STRUCTURAL ENGINEERS
LAND SURVEYORS

HLR

3085 STEVENSON DRIVE, SUITE 201
SPRINGFIELD, ILLINOIS 62703
(217) 546-3400

ELGIN • SPRINGFIELD

PROJECT NUMBER: 12-59-0055-1 DATE: 01/22/09
DESIGNED: P.S.L. CHECKED: S.W.M. DRAWN: D.A.B.

RAILING DETAILS
C.H. 36 / F.A.S. 487
SECTION 07-00045-03-BR
McLEAN COUNTY
STRUCTURE NO. 057-3211 / STATION 10+00