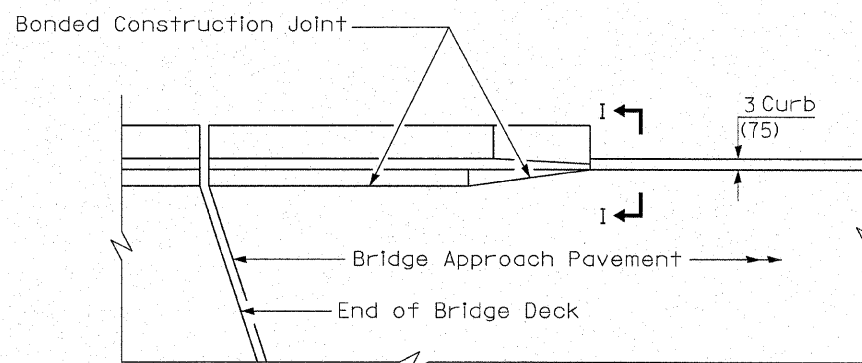
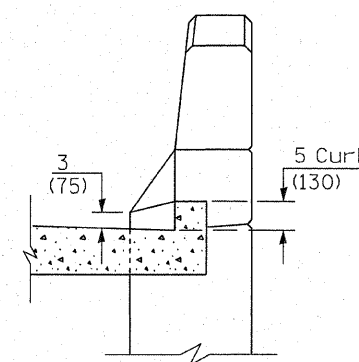


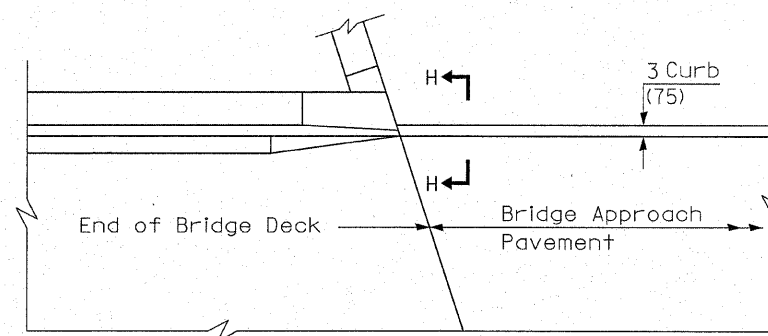
ROUTE NO.	SECTION	COUNTY	TOTAL SHEETS	SHEET NO.
C.H. 36	07-00045-03-BR	McLEAN	27	27
FED. ROAD DIST. NO.		ILLINOIS	CONTRACT NO. 91388	



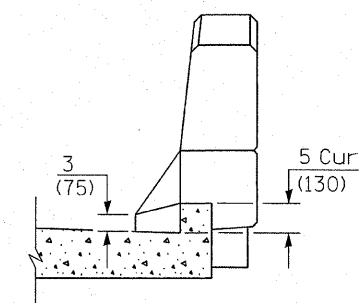
PARAPET TO CURB TRANSITION
PILE BENT ABUTMENT



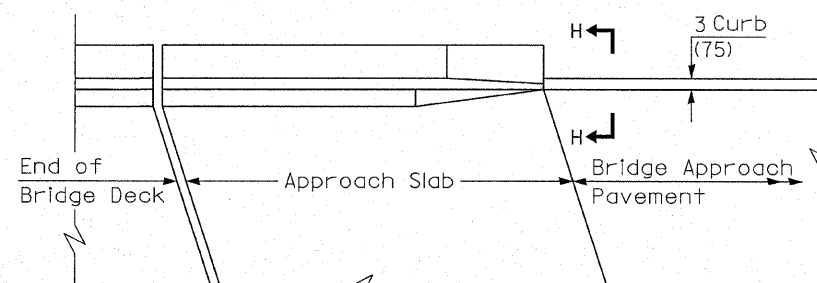
SECTION I - I



PARAPET TO CURB TRANSITION
INTEGRAL ABUTMENT



SECTION H - H



PARAPET TO CURB TRANSITION
VAULTED ABUTMENT

(Sheet 4 of 4)

<p>HAMPTON, LENZINI & RENWICK, INC. CIVIL & STRUCTURAL ENGINEERS LAND SURVEYORS</p> <p>3085 STEVENSON DRIVE, SUITE 201 SPRINGFIELD, ILLINOIS 62703 (217) 546-3400</p> <p>ELGIN • SPRINGFIELD</p>	<p>BRIDGE APPROACH PAVEMENT STANDARD 420401-06 C.H. 36 / F.A.S. 487 SECTION 07-00045-03-BR McLEAN COUNTY</p>
	<p>PROJECT NUMBER: 12-59-0056-1 DATE: 01/22/09 DESIGNED: P.S.L. CHECKED: S.W.M. DRAWN: D.A.B.</p>