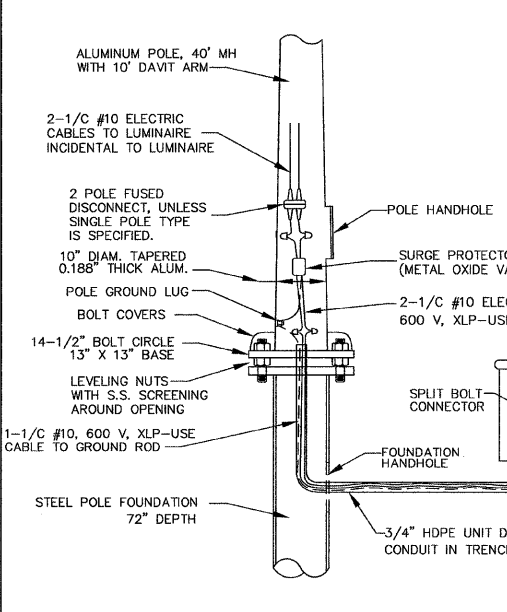
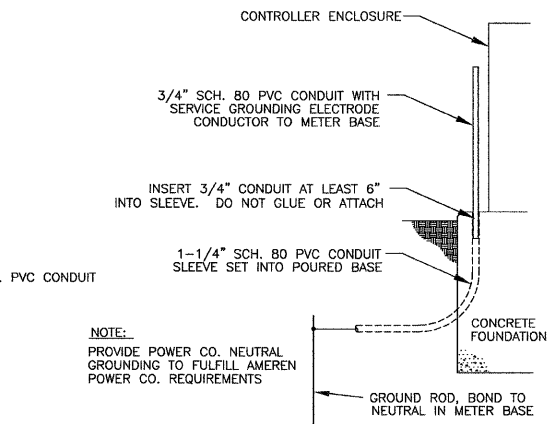


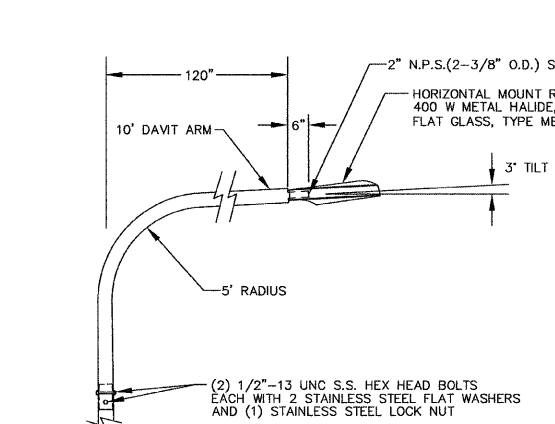
PROPOSED MODIFICATIONS TO EXISTING STREETLIGHTS STATION 64+21 to 68+71



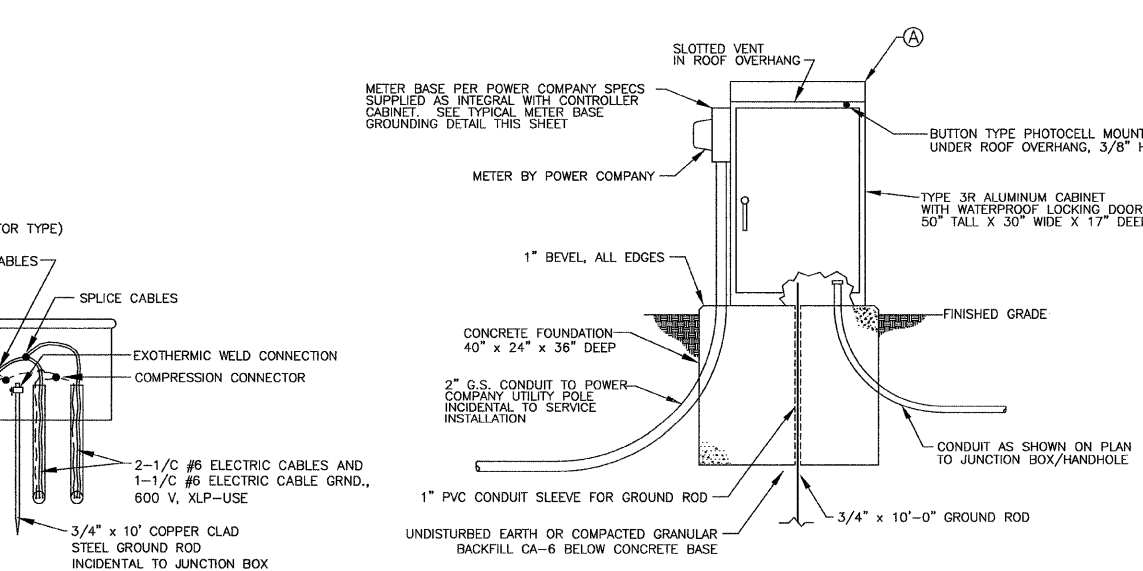
JUNCTION BOX INSTALLATION DETAIL



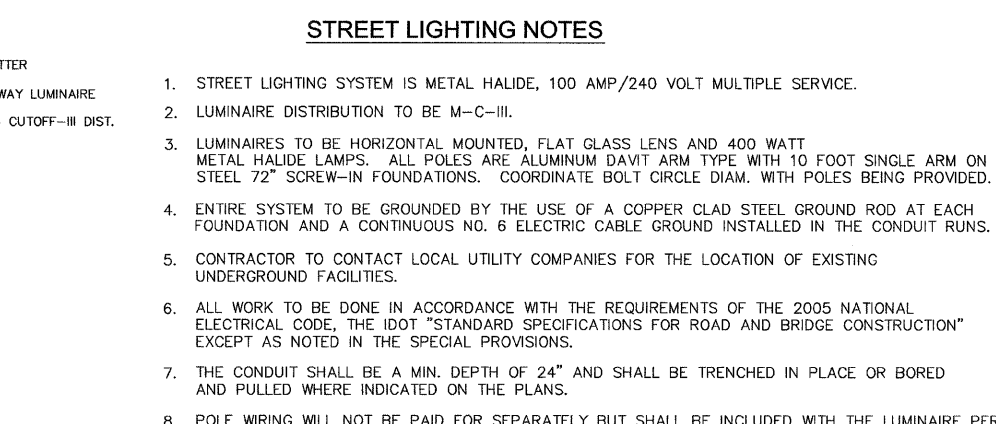
TYPICAL METER BASE GROUNDING DETAIL



LUMINAIRE AND DAVIT ARM DETAIL



CONTROL INSTALLATION DETAIL TYPE CB-RCS, 100 AMP, 240V



CONTROL INSTALLATION SCHEMATIC

- STREET LIGHTING NOTES**
- STREET LIGHTING SYSTEM IS METAL HALIDE, 100 AMP/240 VOLT MULTIPLE SERVICE.
 - LUMINAIRE DISTRIBUTION TO BE M-C-III.
 - LUMINAIRES TO BE HORIZONTAL MOUNTED, FLAT GLASS LENS AND 400 WATT METAL HALIDE LAMPS. ALL POLES ARE ALUMINUM DAVIT ARM TYPE WITH 10 FOOT SINGLE ARM ON STEEL 72" SCREW-IN FOUNDATIONS. COORDINATE BOLT CIRCLE DIAM. WITH POLES BEING PROVIDED.
 - ENTIRE SYSTEM TO BE GROUND BY THE USE OF A COPPER CLAD STEEL GROUND ROD AT EACH FOUNDATION AND A CONTINUOUS NO. 6 ELECTRIC CABLE GROUND INSTALLED IN THE CONDUIT RUNS.
 - CONTRACTOR TO CONTACT LOCAL UTILITY COMPANIES FOR THE LOCATION OF EXISTING UNDERGROUND FACILITIES.
 - ALL WORK TO BE DONE IN ACCORDANCE WITH THE REQUIREMENTS OF THE 2005 NATIONAL ELECTRICAL CODE, THE IDOT "STANDARD SPECIFICATIONS FOR ROAD AND BRIDGE CONSTRUCTION" EXCEPT AS NOTED IN THE SPECIAL PROVISIONS.
 - THE CONDUIT SHALL BE A MIN. DEPTH OF 24" AND SHALL BE TRENCHED IN PLACE OR BORED AND PULLED WHERE INDICATED ON THE PLANS.
 - POLE WIRING WILL NOT BE PAID FOR SEPARATELY BUT SHALL BE INCLUDED WITH THE LUMINAIRE PER ARTICLE 821.03 OF THE STANDARD SPECIFICATIONS.
 - GROUND RODS IN ACCESS WELLS SHALL BE INCLUDED IN THE COST OF THE JUNCTION BOX.
- MATERIALS LIST**
- Ⓐ TYPE 3R CABINET, .125 ALUM., DARK GREEN ENAMEL
 - Ⓑ 2 POLE, 100 AMP (MAIN CIRCUIT BREAKER)
 - Ⓒ 2 POLE, 50 AMP, 120 VOLT COIL (CONTACTOR)
 - Ⓓ 2 POLE, 50 AMP (BRANCH BREAKER)
 - Ⓔ 1 POLE, 20 AMP (CONTROL CIRCUIT BREAKER)
 - Ⓕ THREE POSITION SELECTOR SWITCH
 - Ⓖ LIGHTNING SURRESTOR
 - Ⓗ NEUTRAL BUSS BAR
 - Ⓘ TERMINAL BLOCK FOR PHOTOCELL
 - Ⓙ PHOTO CONTROL, BUTTON TYPE, 1000 WATT, TURN-ON AT 1.5 FTC, ±0.5
 - Ⓚ MOUNTING PANEL, 1/2" THICK BENELEX
 - Ⓛ SINGLE POLE, SINGLE THROW, 20 AMP SWITCH
 - Ⓜ 20 AMP GFI DUPLEX RECEPTACLE
 - Ⓝ 60 WATT INCANDESCENT LIGHT FIXTURE
 - Ⓞ GROUND BUSS BAR
 - Ⓟ TERMINAL BLOCK FOR CIRCUIT BREAKERS

JAN 09 2009 10:53AM ROWYLIGHT DETAILS.DWG