

SPECIFICATION FOR ALUMINUM TABLET

SURVEY CAP FOR REBAR. 3 1/4" CONVEX SURVEY CAP FOR 5/8-INCH REBAR WITH IL PLS NUMBER. THIS LOGO SHALL PROVIDE LETTERS RECESSED INTO THE SURFACE A MINIMUM OF 0.031 (1/32) INCH FOR EASY AND LONG-TERM LEGIBILITY. THE ALUMINUM CAP FOR REBAR SHALL BE PRODUCED BY THE PROCESS OF ORBITAL FORGING TO PRODUCE A HIGH-STRENGTH AND DURABLE MARKER CAP WHICH WILL NOT CHIP OR BREAK AND PROVIDE A SMOOTH FINISH FOR STAMPING OF DATA IN THE FIELD.

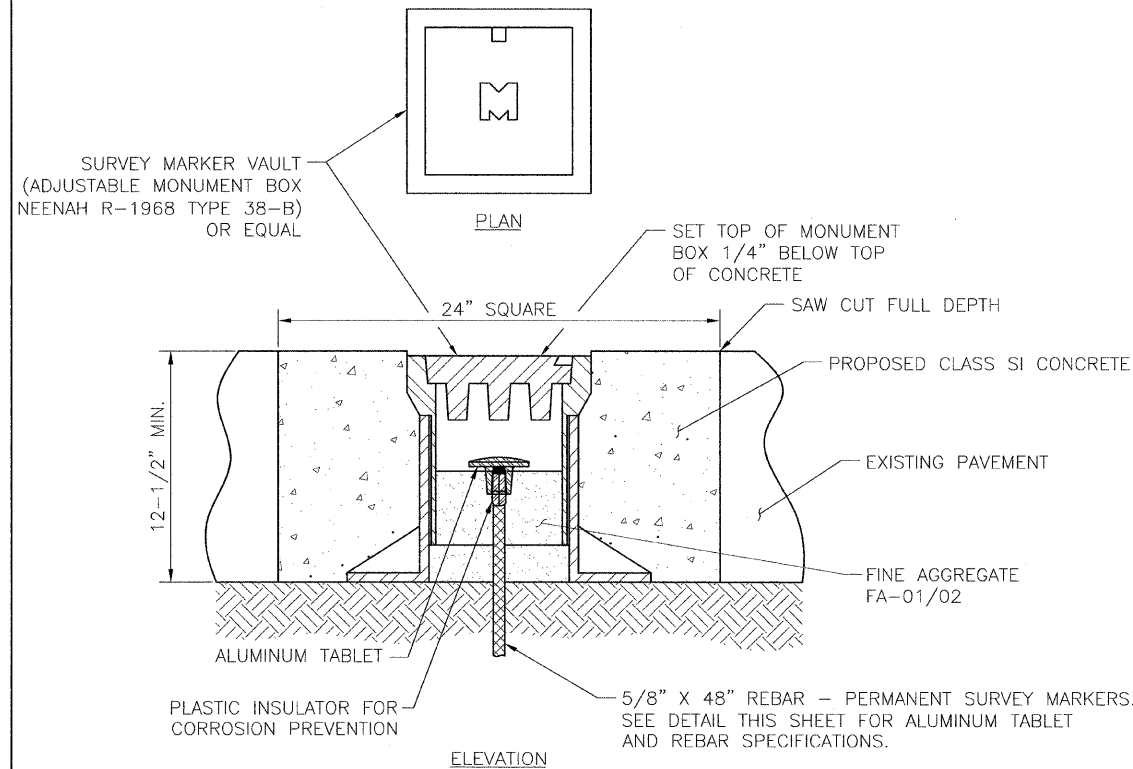
THE ALUMINUM CAP FOR REBAR SHALL BE TAPERED FOR A PERFECT COMPRESSION FIT. A SPECIAL PLASTIC INSULATOR SHALL BE INSTALLED TO PREVENT DISSIMILAR METAL CONTACT AND CORROSION. THE PLASTIC INSULATOR SHALL FORM READILY TO THE OUTER SHAPE OF THE REBAR AND TO THE INNER SHAPE OF THE ALUMINUM CAP SOCKET. THE PLASTIC INSULATOR SHALL BE LOW DENSITY POLYETHYLENE, A MINIMUM 1 1/2" LONG AND CONFORM TO FEDERAL SPECIFICATION L-P 390.

COMPOSITION: ALUMINUM 98.3-98.7%; OTHER 1.3-1.7%
STRENGTH: YIELD 28 KSI, ULTIMATE 32 KSI
ELONGATION: 15% (IN TWO INCHES)
SPECIFICATIONS: ALUMINUM ALLOY 6101-0; ASTM B317-83 (EXCEPT TEMPER) AS FORGED. NO EXCEPTIONS.

- NOTES:
- ALUMINUM TABLET SHALL BE SET WITH A 5/8" X 48" REBAR.
 - REFERENCING OF THE EXISTING SURVEY MARKER AND SETTING AND MARKING THE PROPOSED SURVEY MARKER SHALL BE DONE BY AN ILLINOIS PROFESSIONAL LAND SURVEYOR IN ACCORDANCE WITH SECTIONS 667 AND 668 OF THE STANDARD SPECIFICATIONS. DELETE REFERENCE TO BASIS OF PAYMENT.
 - THIS WORK WILL BE PAID FOR AT THE CONTRACT UNIT PRICE EACH FOR PERMANENT SURVEY MARKERS WHICH PRICE SHALL INCLUDE ALL LABOR AND MATERIAL AS SPECIFIED, INCLUDING SETTING AND MARKING THE SURVEY MARKER BY AN ILLINOIS PROFESSIONAL LAND SURVEYOR AND NO ADDITIONAL COMPENSATION WILL BE ALLOWED.

PERMANENT SURVEY MARKER DETAIL

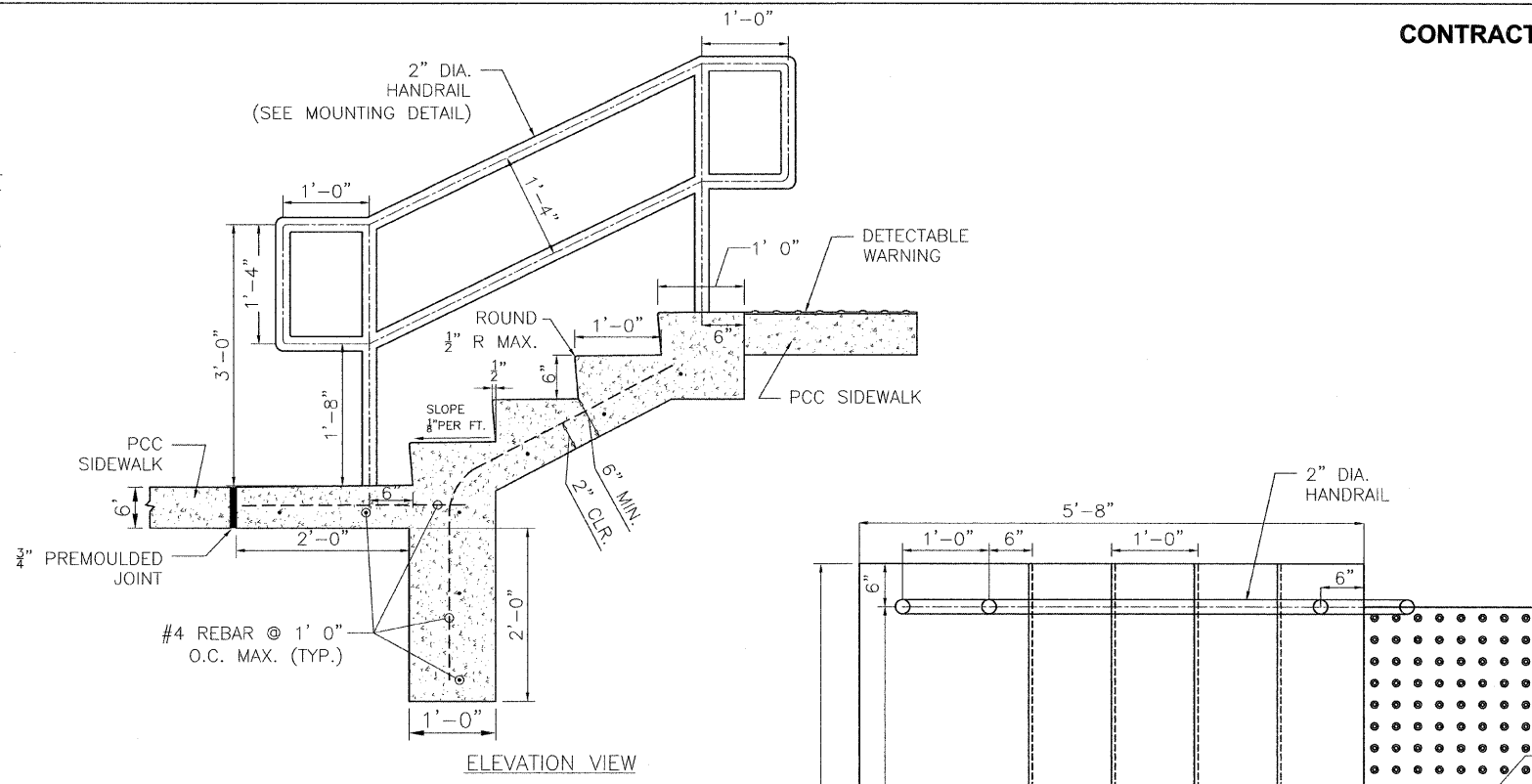
SCALE: NONE



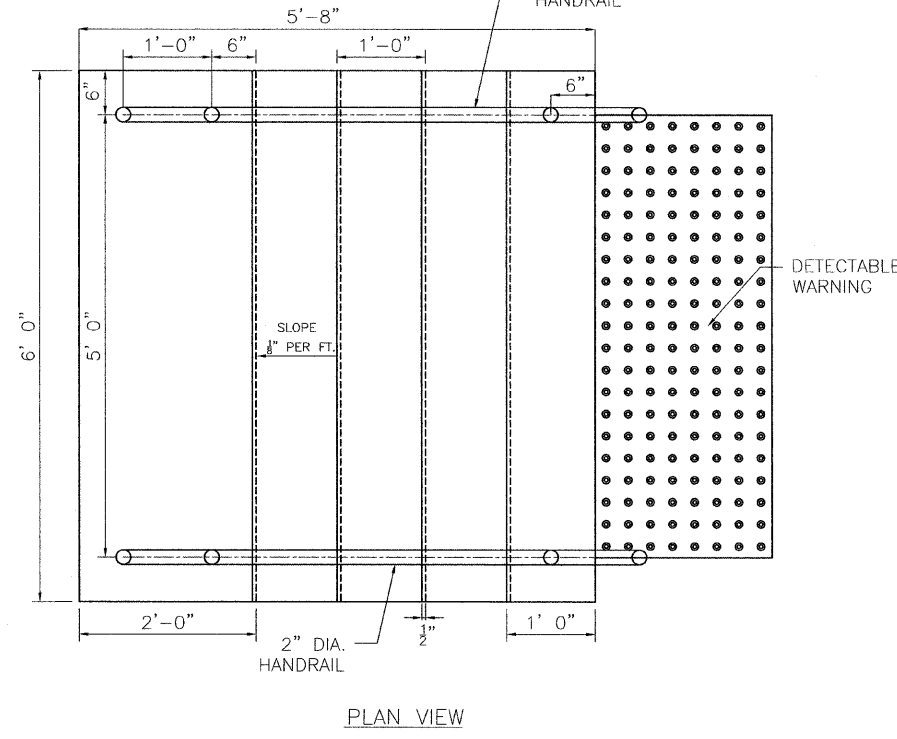
- NOTES:
- WORK SHALL NOT START ON THIS ITEM UNTIL THE FINAL LIFT OF BITUMINOUS CONCRETE SURFACE COURSE OR P.C.C. CONCRETE HAS BEEN COMPLETED.
 - PRESERVATING SECTION OR SUBSECTION STONES AND OTHER MARKERS SHALL BE DONE IN ACCORDANCE TO SECTIONS 667 AND 668. DELETE REFERENCE TO BASIS OF PAYMENT.
 - THIS WORK WILL BE PAID FOR AT THE CONTRACT UNIT PRICE EACH FOR SURVEY MARKER VAULT WHICH PRICE SHALL INCLUDE ALL LABOR AND MATERIAL AS SPECIFIED INCLUDING PAVEMENT REMOVAL, MONUMENT BOX, CONCRETE CLASS S1, AND FA-01/02 AGGREGATE AND NO ADDITIONAL COMPENSATION WILL BE ALLOWED.

SURVEY MARKER VAULT DETAIL

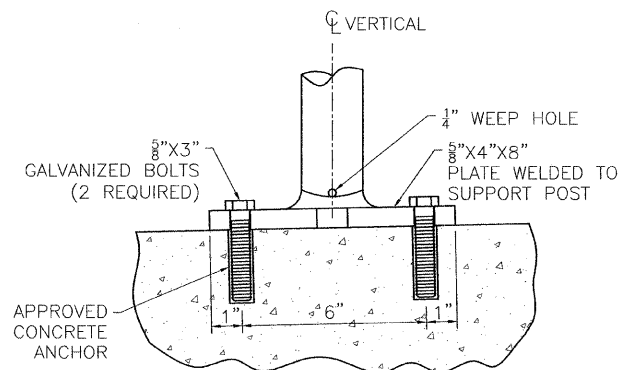
SCALE: NONE



ELEVATION VIEW



PLAN VIEW



HANDRAIL MOUNTING DETAILS

- NOTES:
- CLASS S1 CONCRETE SHALL BE USED THROUGHOUT.
 - STEPS WILL BE PAID FOR AT THE CONTRACT UNIT PRICE PER CU. YD. FOR "CLASS S1 CONCRETE STEPS" WHICH PRICE SHALL BE PAYMENT IN FULL FOR ALL MATERIAL AND LABOR, INCLUDING EXCAVATION AND PREMOULDED JOINT TO COMPLETE THE WORK.
 - ALL POSTS AND RAILS SHALL BE 2" DIA. STANDARD WEIGHT PIPE, ASTM A 120. ALL CONNECTIONS SHALL BE MITERED, FULL BUTT WELDED AND GROUND SMOOTH. RAILWAYS AND POSTS SHALL BE FINISHED WITH A STANDARD BLACK FINISH.
 - FURNISHING AND ERECTING PIPE HANDRAIL SHALL BE IN ACCORDANCE WITH APPLICABLE PORTIONS OF SECTION 509 OF THE STANDARD SPECIFICATIONS. MEASUREMENT FOR PAYMENT SHALL BE MADE ALONG THE TOP RAIL FROM END TO END OF COMPLETED INSTALLATION.
 - ESTIMATED QUANTITIES
CLASS S1 CONCRETE STEPS = 1.5 CU. YDS.
HANDRAIL (2) = 12.4 FT.

CLASS S1 CONCRETE STEP DETAILS

STA. 82+11 RT.

JAN 07 2009 1:25PM MISCDDETAIL 02.DWG