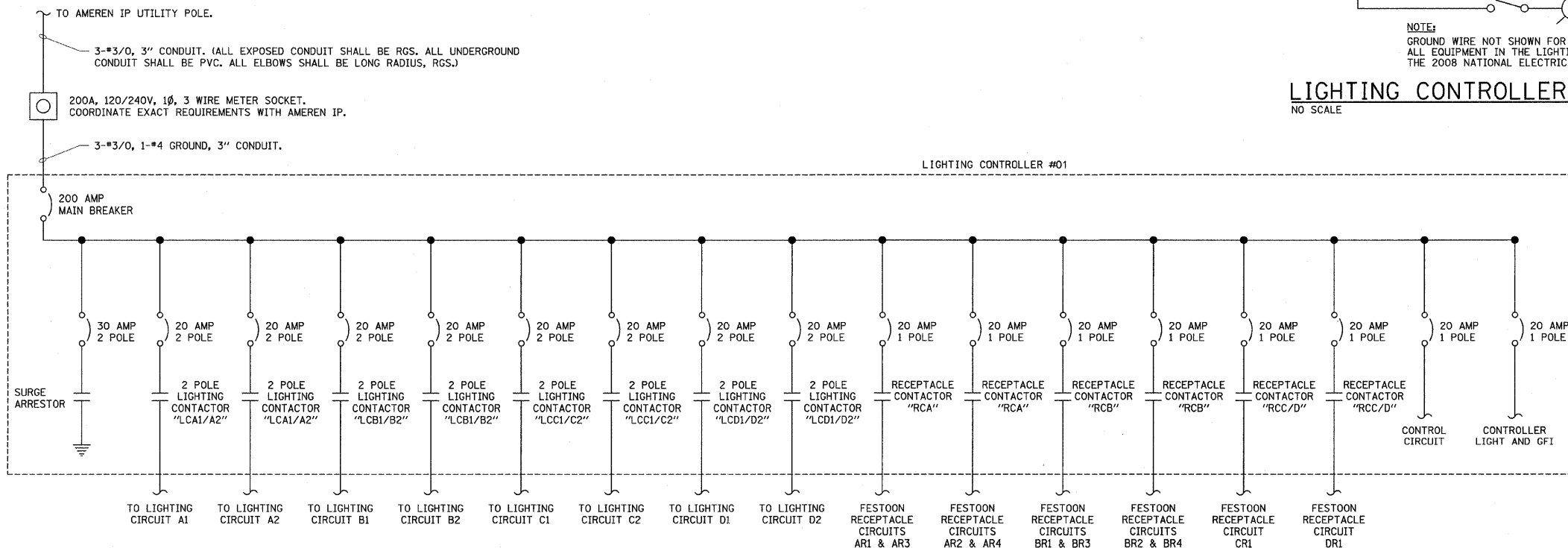
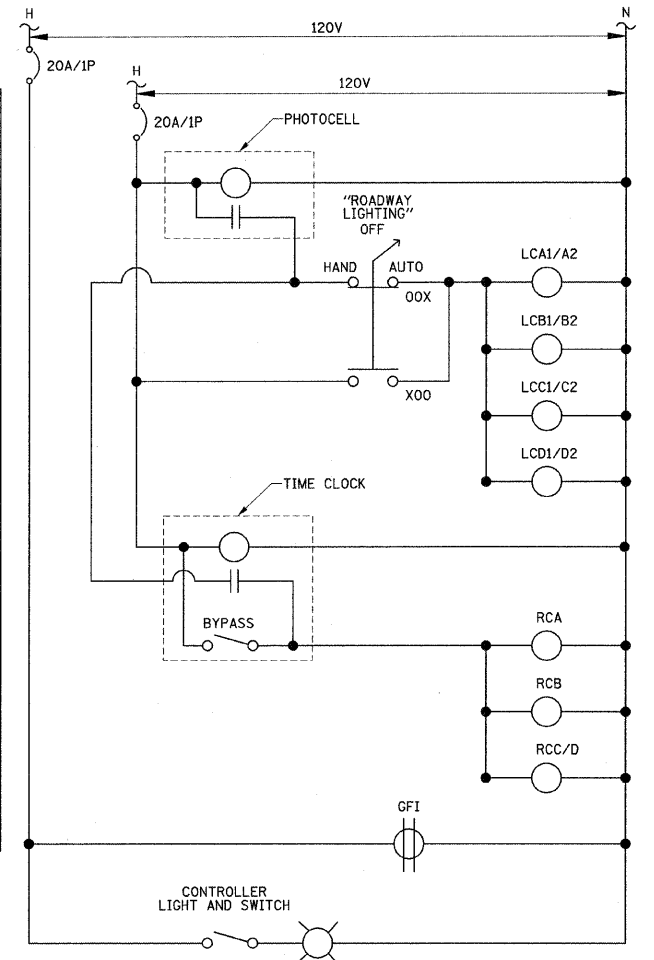
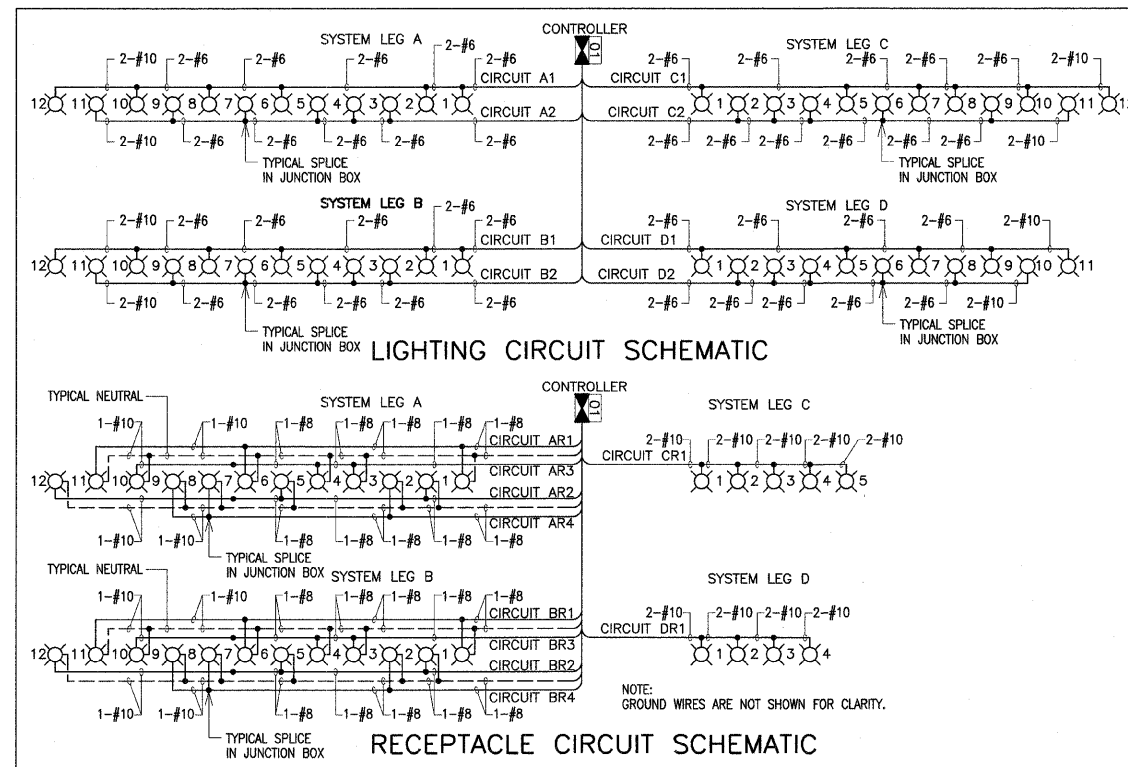


### LIGHTING CONTROLLER #01 PANELBOARD SCHEDULE

PANELBOARD LIGHTING		MAINS 200 AMPS		LOCATION: GOODWIN AVENUE STATION 27+24 L					
VOLTAGE 120/240		BUS RATING 200 AMPS							
PHASE/WIRE 1PH/3W		MOUNTING INTERIOR ONLY							
DESCRIPTION	CKT. NO.	LOAD (VA)	AMPS/POLES	CKT. BKR.	CKT. BKR.	AMPS/POLES	LOAD (VA)	CKT. NO.	DESCRIPTION
STREET LIGHTING CIRCUIT A1	1	1560	20/2			20/2	1300	2	STREET LIGHTING CIRCUIT C1
STREET LIGHTING CIRCUIT A2	3	1560	20/2			20/2	1300	4	STREET LIGHTING CIRCUIT C2
STREET LIGHTING CIRCUIT B1	5	1560	20/2			20/2	1560	6	STREET LIGHTING CIRCUIT D1
STREET LIGHTING CIRCUIT B2	7	1560	20/2			20/2	1560	8	STREET LIGHTING CIRCUIT D2
SURGE ARRESTOR	9	0	30/2			20/1	500	18	CONTROL CIRCUIT
RECPT. CIRCUITS AR1/AR2	11	1560	20/2			20/1	280	20	CONTROLLER LIGHT & GFI
RECPT. CIRCUITS AR3/AR4	13	1080	20/1			20/1	0	22	SPACE
RECPT. CIRCUITS BR1/BR2	15	1080	20/1			20/1	900	24	RECPT. CIRCUIT CR1
RECPT. CIRCUITS BR3/BR4	17	1080	20/1			20/1	720	26	RECPT. CIRCUIT DR1
SPACE	19	0					0	28	SPACE
SPACE	21	0					0	30	SPACE
SPACE	23	0					0	32	SPACE
SPACE	25	0					0	34	SPACE
SPACE	27	0					0	36	SPACE
SPACE	29	0					0	38	SPACE
SPACE	31	0					0	40	SPACE
SPACE	33	0					0	42	SPACE
SPACE	35	0					0		
SPACE	37	0					0		
SPACE	39	0					0		
SPACE	41	0					0		
SUBTOTAL "A"		8400					6940		
SUBTOTAL "B"								6900	
TOTAL VOLT-AMPERES A & B: 30,640 VA									



REVISED 4-6-09

FILE NAME = p:\u0070052\plans\sheet\64-Lighting.dgn  
 PLOT DATE = 2/27/2009 3:22:11 PM

DESIGNED - MTP	REVISED -
DRAWN - RJS	REVISED -
CHECKED - JJF	REVISED -
DATE - 01-2009	REVISED -

STATE OF ILLINOIS  
DEPARTMENT OF TRANSPORTATION

ROADWAY LIGHTING DETAILS

SCALE : NONE SHEET NO. 71 OF 75 SHEETS STA. 10+00 TO STA. 44+00

F.A.U. RTE. 7175	SECTION 07-00456-00-RS	COUNTY CHAMPAIGN	TOTAL SHEETS 75	SHEET NO. 71
GOODWIN AVENUE		CONTRACT NO. 91392		
FED. ROAD DIST. NO.		ILLINOIS FED. AID PROJECT		