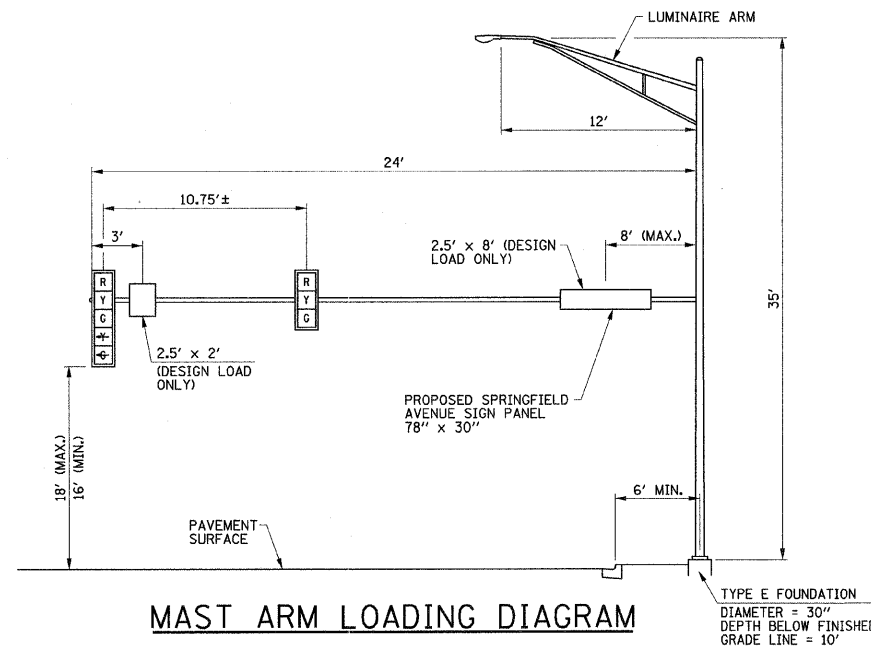


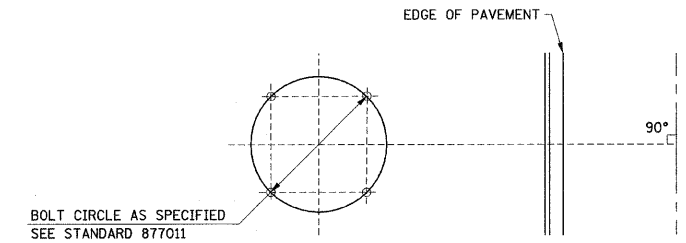
MAST ARM LOADING DIAGRAM

GOODWIN AVENUE & SPRINGFIELD AVENUE
NORTHWEST QUADRANT



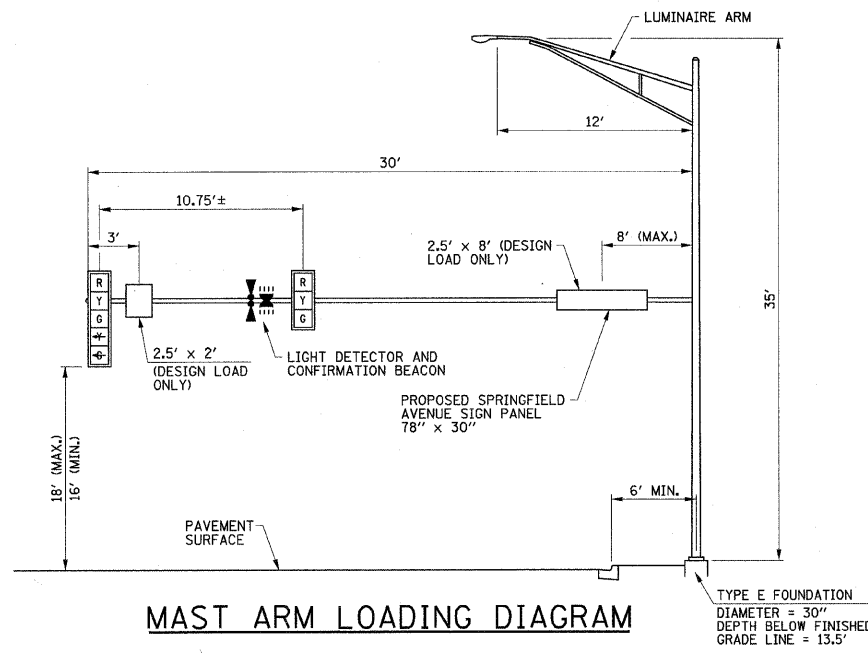
MAST ARM LOADING DIAGRAM

GOODWIN AVENUE & SPRINGFIELD AVENUE
NORTHEAST QUADRANT



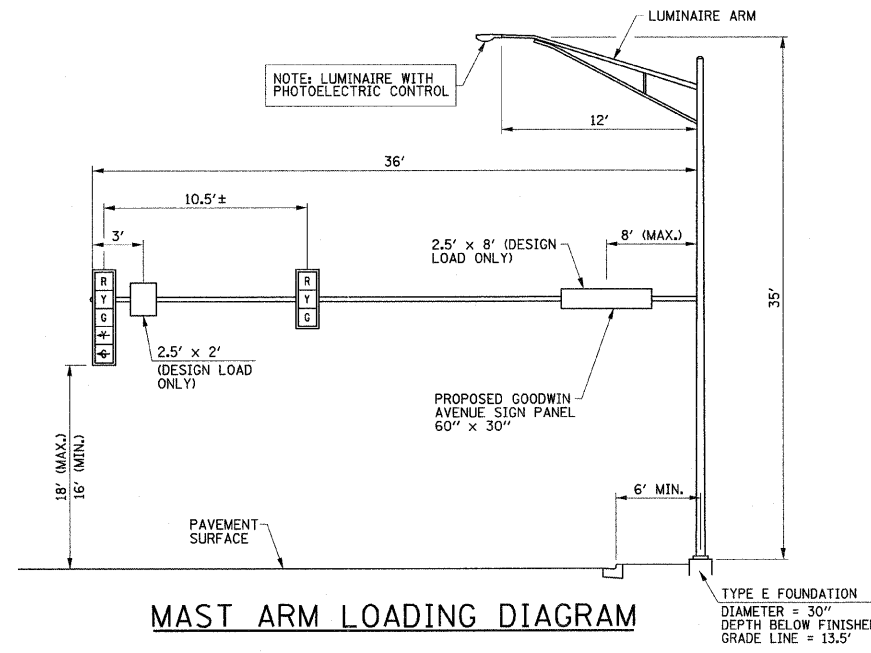
MAST ARM FOUNDATION BOLT PATTERN DETAIL

ORIENTATION OF ANCHOR BOLTS TO BE FIELD VERIFIED



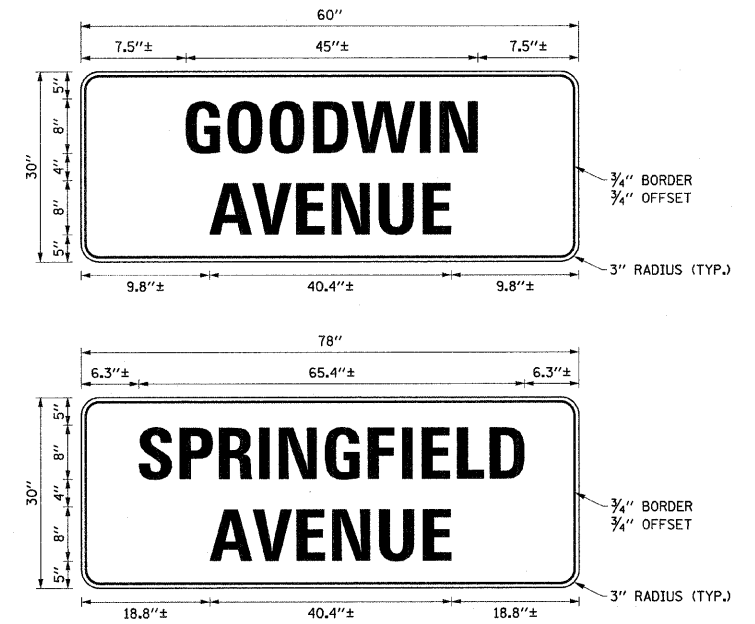
MAST ARM LOADING DIAGRAM

GOODWIN AVENUE & SPRINGFIELD AVENUE
SOUTHWEST QUADRANT



MAST ARM LOADING DIAGRAM

GOODWIN AVENUE & SPRINGFIELD AVENUE
SOUTHEAST QUADRANT



MAST ARM MOUNTED STREET NAME SIGN DETAIL

TEXT: 8" HEIGHT, SERIES D
TYPE A SHEETING REQUIRED
BORDER AND LEGEND:
3M DIAMOND GRADE VIP 3990 WHITE
BACKGROUND
EC SERIES 1170 GREEN TRANSLUCENT (REVERSE IMAGE)

FILE NAME = p:\u0070052\plans\sheets\57-Signals-Spring.dgn	DESIGNED - JAJ	REVISED -
PLOT DATE = 1/12/2009 7:47:12 PM	DRAWN - JAJ	REVISED -
	CHECKED - SMW	REVISED -
	DATE - 01-2009	REVISED -

DESIGNED - JAJ	REVISED -
DRAWN - JAJ	REVISED -
CHECKED - SMW	REVISED -
DATE - 01-2009	REVISED -

STATE OF ILLINOIS
DEPARTMENT OF TRANSPORTATION

GOODWIN AVENUE & SPRINGFIELD AVENUE
TRAFFIC SIGNAL PLANS
TRAFFIC SIGNAL DETAILS

F.A.U. RTE.	SECTION	COUNTY	TOTAL SHEETS	SHEET NO.
7175	07-00456-00-RS	CHAMPAIGN	75	61
GOODWIN AVENUE			CONTRACT NO. 91392	
FED. ROAD DIST. NO.		ILLINOIS	FED. AID PROJECT	