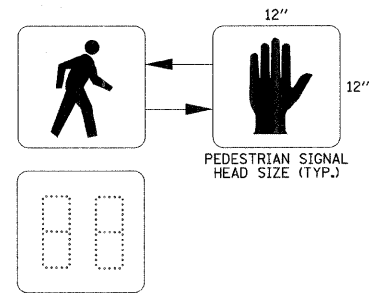
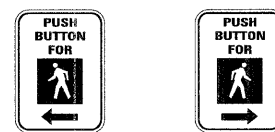


PEDESTRIAN PUSH-BUTTON POST DETAIL



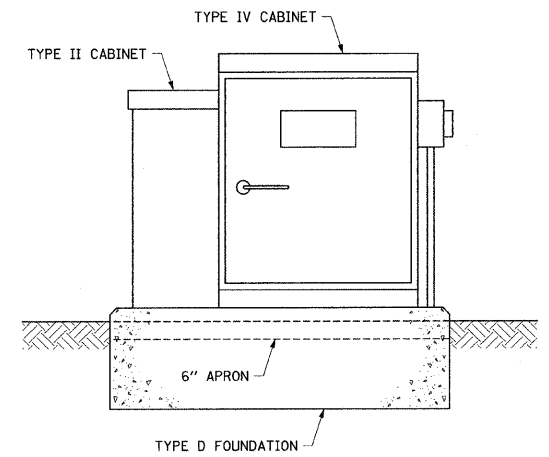
PEDESTRIAN COUNTDOWN SIGNAL DISPLAY DETAIL



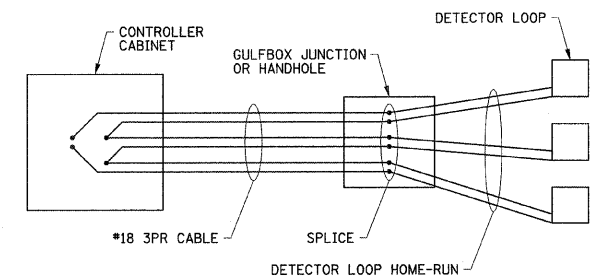
MUTCD R10-4B

THE PEDESTRIAN PUSH-BUTTON SIGNS SHALL BE INCLUDED IN THE COST OF THE ACCESSIBLE PEDESTRIAN SIGNALS.

PEDESTRIAN PUSH-BUTTON SIGN DETAIL



UPS BATTERY CABINET MOUNTING DETAIL



DETECTOR LOOP WIRING DETAIL

WIRED IN SERIES WITH MULTI-PAIR CABLE

FILE NAME = p:\u0070052\plans\sheets\57-Signals-Spring.dgn
 PLOT DATE = 1/12/2009 7:47:12 PM

DESIGNED - JAJ	REVISED -
DRAWN - JAJ	REVISED -
CHECKED - SMW	REVISED -
DATE - 01-2009	REVISED -

STATE OF ILLINOIS
 DEPARTMENT OF TRANSPORTATION

GOODWIN AVENUE & SPRINGFIELD AVENUE
 TRAFFIC SIGNAL PLANS
 TRAFFIC SIGNAL DETAILS

SCALE : NONE SHEET NO. 62 OF 75 SHEETS STA. TO STA.

F.A.J. RTE.	SECTION	COUNTY	TOTAL SHEETS	SHEET NO.
7175	07-00456-00-RS	CHAMPAIGN	75	62
GOODWIN AVENUE			CONTRACT NO. 91392	
FED. ROAD DIST. NO.			ILLINOIS FED. AID PROJECT	