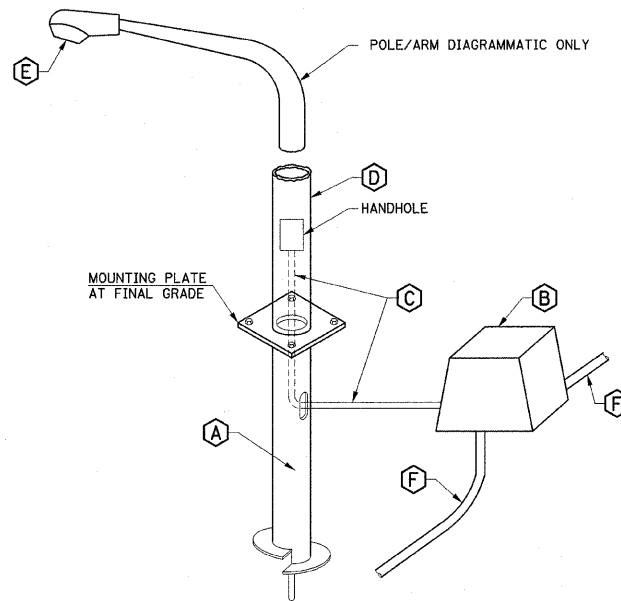


SUMMARY OF ROADWAY LIGHTING QUANTITIES				
CODE NO.	ITEM	UNIT	QUANTITY	CITY
80400105	ELECTRIC SERVICE INSTALLATION, SPECIAL	EACH	1	1
81012400	CONDUIT IN TRENCH, 1/4" DIA., PVC	FOOT	353	78
81012600	CONDUIT IN TRENCH, 2" DIA., PVC	FOOT	110	110
81012800	CONDUIT IN TRENCH, 3" DIA., PVC	FOOT	72	72
81028050	CONDUIT, BORED AND PULLED, COILABLE NON-METALLIC CONDUIT, 1 1/2"	FOOT	4000	1125
81028060	CONDUIT, BORED AND PULLED, COILABLE NON-METALLIC CONDUIT, 2"	FOOT	2707	592
81028080	CONDUIT, BORED AND PULLED, COILABLE NON-METALLIC CONDUIT, 3"	FOOT	60	60
81306100	JUNCTION BOX, SPECIAL (12"W x 12"L x 12"D)	EACH	70	15
81306500	REMOVE EXISTING JUNCTION BOX	EACH	23	9
81400730	HANDHOLE, COMPOSITE CONCRETE	EACH	10	3
81702110	ELECTRIC CABLE IN CONDUIT, 600V (XLP-TYPE USE) 1/C NO. 10	FOOT	18519	5007
81702120	ELECTRIC CABLE IN CONDUIT, 600V (XLP-TYPE USE) 1/C NO. 8	FOOT	10925	10925
81702130	ELECTRIC CABLE IN CONDUIT, 600V (XLP-TYPE USE) 1/C NO. 6	FOOT	22637	1737
81900200	TRENCH AND BACKFILL FOR ELECTRICAL WORK	FOOT	91	55
81900302	TRENCH AND BACKFILL WITH SCREENINGS OR SAND	FOOT	353	78
83600400	POLE FOUNDATION, METAL	EACH	61	14
84200500	REMOVAL OF EXISTING LIGHTING UNIT, SALVAGE	EACH	10	8
84200600	REMOVAL OF EXISTING LIGHTING UNIT, NO SALVAGE	EACH	30	30
84200700	LIGHTING FOUNDATION REMOVAL	EACH	30	30
84400105	RELOCATE EXISTING LIGHTING UNIT	EACH	2	1
X0325815	REMOVE EXISTING CABLE	FOOT	1900	1900
XX001066	LIGHTING CONTROLLER, LOCATION NO. 1	L SUM	1	1
X8430100	REMOVE EXISTING CONDUIT ATTACHED TO STRUCTURE	FOOT	40	40
81100605	CONDUIT ATTACHED TO STRUCTURE, 2" DIA., PVC COATED GALVANIZED STEEL	FOOT	100	100



POLE/LUMINAIRE INSTALLATION DETAIL
NO SCALE

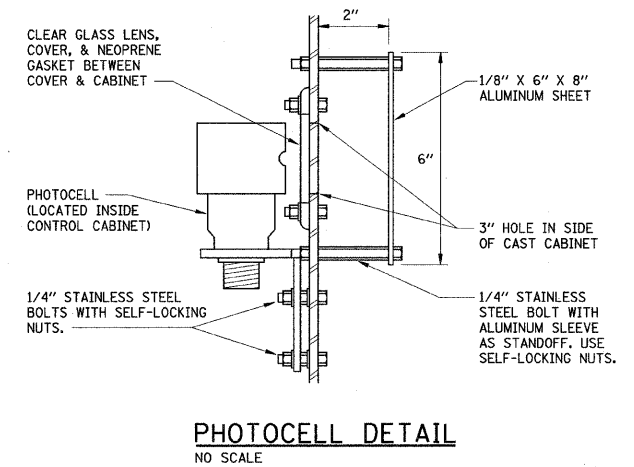
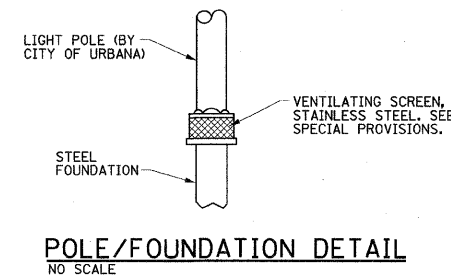
ELECTRICAL KEYNOTES

- A** STEEL FOUNDATION - 6' LONG, 6-5/8" DIAMETER WITH THREADED HOLES FOR 1" BOLTS OR STUDS. A.B. CHANCE SA112-0567 OR APPROVED EQUAL. COORDINATE BOLT CIRCLE DIAMETER WITH POLES BEING PROVIDED BY THE CITY OF URBANA.
- B** CDR 12"W x 12"L x 12"D (UNLESS OTHERWISE INDICATED IN THE PLANS) FLARED WALL BOX WITH HEAVY DUTY COVER CAT.# PA22-1212-12-0062 OR APPROVED EQUAL.
- C** 1/4" SCHEDULE 40 PVC FROM JUNCTION BOX TO 6" ABOVE BASE WITH WIRING AS NOTED ON PLANS. THE CITY OF URBANA WILL FURNISH AND INSTALL A TWO POLE FUSEHOLDER WITH FUSES PER IDOT STANDARD SPECIFICATION 1065.01 AND A SURGE PROTECTOR AT THE LOAD SIDE OF THE FUSE HOLDER PER IDOT STANDARD SPECIFICATION 1065.02.
- D** ALUMINUM LIGHT POLE FURNISHED AND INSTALLED BY THE CITY OF URBANA.
- E** METAL HALIDE LUMINAIRE FURNISHED AND INSTALLED BY THE CITY OF URBANA.
- F** RACEWAY PER THE PLANS TO ADJACENT HANDHOLE OR 12" STUB FOR FUTURE EXTENSION OF LIGHTING CIRCUIT.

**CONTROL CABINET, FOUNDATION AND
DIAGRAMMATIC ASSEMBLY DETAIL
LIGHTING CONTROLLER #01**
NO SCALE

LIGHTING CONTROLLER #01 BILL OF MATERIALS

QTY	ITEM	DESCRIPTION
1	1	200A, 120/240V, 1Ø, 42 CIRCUIT PANELBOARD (INTERIOR ONLY, NO PANEL TUB), QUANTITY OF BREAKERS AS SHOWN IN PANELBOARD SCHEDULE.
1	2	HAND-OFF-AUTO SELECTOR SWITCH WITH LEGEND PLATE.
1	3	120 VAC, 20A, 1P PLUNGERTYPE SWITCH FOR CONTROLLER LIGHT, DOOR ACTIVATED
1	4	INCANDESCENT LIGHT FIXTURE WITH CLEAR GLOBE AND PROTECTIVE GUARD. PROVIDE 60WATT, 130VAC LAMP.
1	5	PHOTOCELL SWITCH WITH LOCKING TYPE RECEPTACLE AND INTEGRAL SURGE ARRESTORS. PHOTOCELL SHALL BE CABINET MOUNTED AND SHIELDED FROM SURROUNDING LIGHT SOURCES, WITH TIME DELAY RELAY TO PREVENT NUISANCE SWITCHING. (SEE PHOTOCELL DETAIL).
1	6	DUPLEX RECEPTACLE, 120VAC, 20A, GFCI TYPE.
1	7	TERMINAL STRIPS. QUANTITY AS REQUIRED FOR INCOMING WIRING PLUS 100% SPARE TERMINALS. PROVIDE SEPARATE TERMINAL STRIPS FOR POWER, NEUTRAL AND GROUND WIRING AS REQUIRED.
4	8	LIGHTING CONTACTOR, 30A, 240VAC, 4 POLE, 120VAC ELECTRICALLY HELD COIL. PROVIDE SPACE FOR ADDITIONAL CONTACTORS.
1	9	SURGE ARRESTOR
1	10	CONTROL WIRING TERMINAL BLOCK
1	11	ASTRONOMICAL TIME CLOCK WITH BATTERY MEMORY BACKUP TO CONTROL FESTOON RECEPTACLE "OFF" MODE (ON VIA PHOTOCELL)
3	12	RECEPTACLE CONTACTOR, 30A, 240VAC, 4 POLE, 120VAC ELECTRICALLY HELD COIL.



FILE NAME = P:\U0070052\Plans\sheets\64-Lighting.dgn
 PLOT DATE = 1/23/2009 1:34:31 PM

DESIGNED - MTP	REVISED -
DRAWN - RJS	REVISED -
CHECKED - JJF	REVISED -
DATE - 01-2009	REVISED -

STATE OF ILLINOIS
DEPARTMENT OF TRANSPORTATION

ROADWAY LIGHTING DETAILS

SCALE : NONE SHEET NO. 70 OF 75 SHEETS STA. 10+00 TO STA. 44+00

F.A.U. RTE. 7175	SECTION 07-00456-00-RS	COUNTY CHAMPAIGN	TOTAL SHEETS 75	SHEET NO. 70
GOODWIN AVENUE		CONTRACT NO. 91392		
FED. ROAD DIST. NO.	ILLINOIS	FED. AID PROJECT		