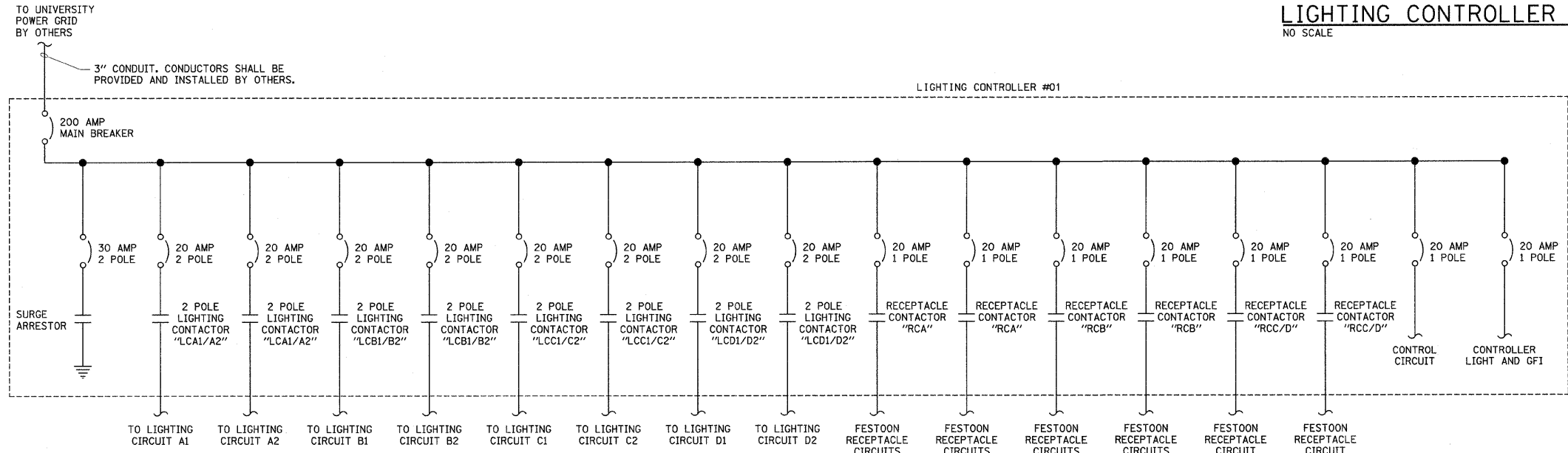
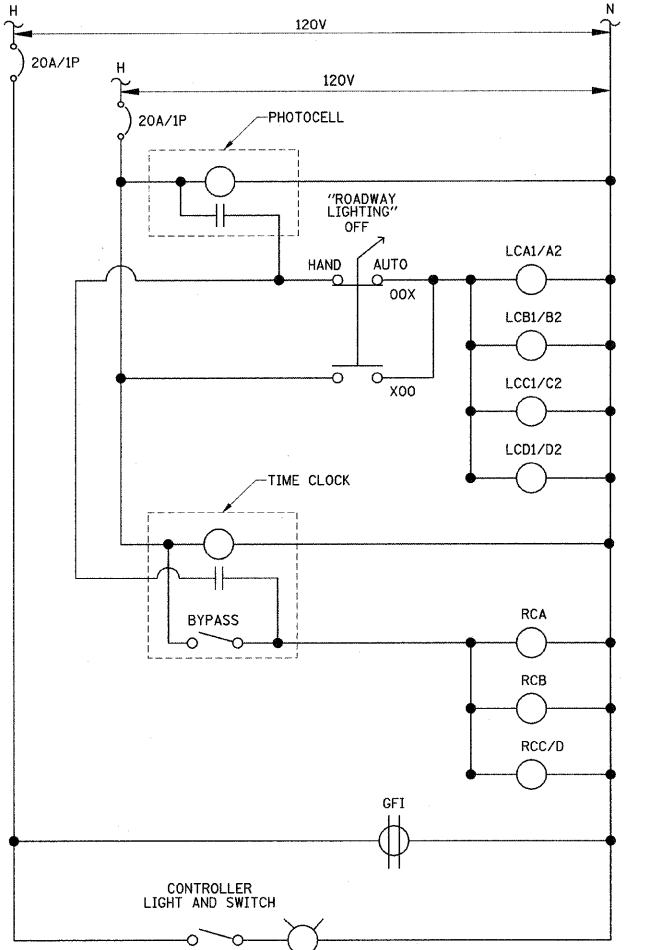
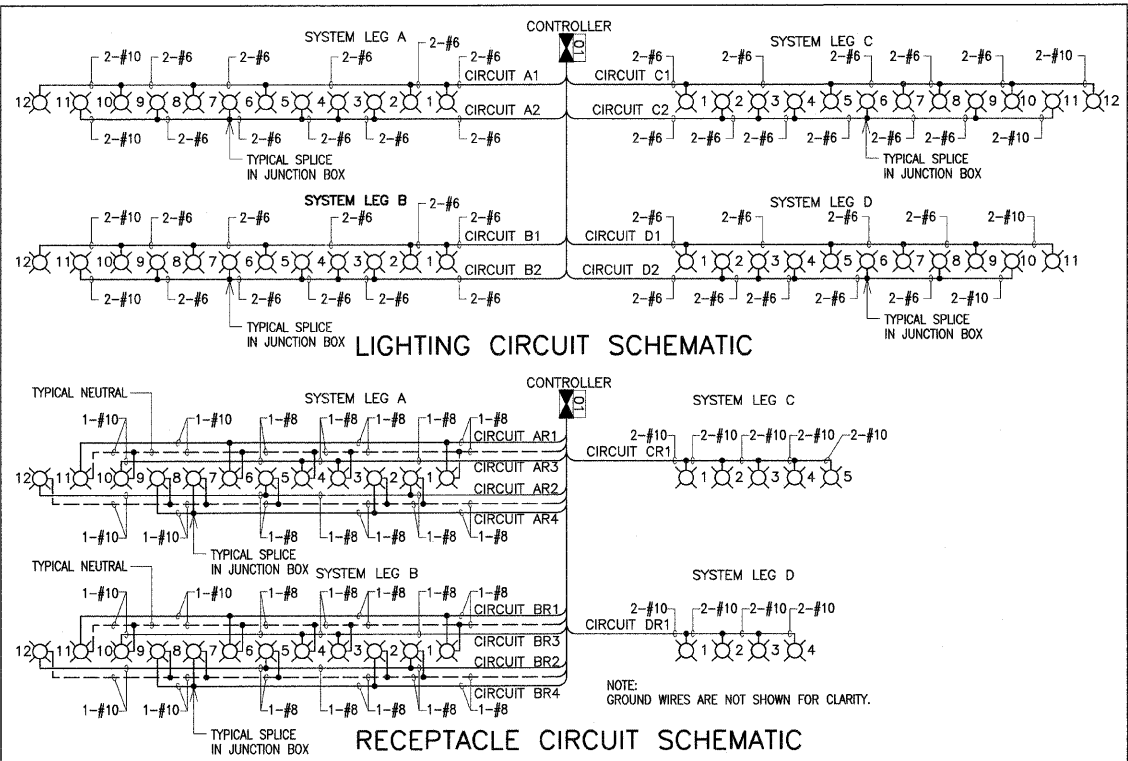


### LIGHTING CONTROLLER #01 PANELBOARD SCHEDULE

PANELBOARD	LIGHTING	MAINS	200 AMPS	LOCATION:	GOODWIN AVENUE STATION 27+24 L
VOLTAGE	120/240	BUS RATING	200 AMPS		
PHASE/WIRE	1PH/3W	MOUNTING	INTERIOR ONLY		

DESCRIPTION	CKT. NO.	LOAD (VA)	AMPS/POLES	CKT. BKR.	AMPS/POLES	LOAD (VA)	CKT. NO.	DESCRIPTION	
STREET LIGHTING CIRCUIT A1	1	1560	20/2		20/2	1300	2	STREET LIGHTING CIRCUIT C1	
	3	1560				1300	4	STREET LIGHTING CIRCUIT C2	
STREET LIGHTING CIRCUIT A2	5	1560	20/2		20/2	1560	6	STREET LIGHTING CIRCUIT D1	
	7	1560				1560	8	STREET LIGHTING CIRCUIT D2	
STREET LIGHTING CIRCUIT B1	9	1560	20/2		20/2	1300	10	CONTROL CIRCUIT	
	11	1560				1300	12	CONTROLLER LIGHT & GFI	
STREET LIGHTING CIRCUIT B2	13	1560	20/2		20/2	1560	14	SPACE	
	15	1560				1560	16	SPACE	
SURGE ARRESTOR	17	0	30/2		20/1	500	18	SPACE	
RECPT. CIRCUITS AR1/AR2	19	0			20/1	280	20	SPACE	
RECPT. CIRCUITS AR3/AR4	21	1080	20/1		20/1	0	22	RECPT. CIRCUIT CR1	
RECPT. CIRCUITS BR1/BR2	23	1080	20/1		20/1	900	24	RECPT. CIRCUIT DR1	
RECPT. CIRCUITS BR3/BR4	25	1080	20/1		20/1	720	26	SPACE	
SPACE	27	0				0	28	SPACE	
SPACE	29	0				0	30	SPACE	
SPACE	31	0				0	32	SPACE	
SPACE	33	0				0	34	SPACE	
SPACE	35	0				0	36	SPACE	
SPACE	37	0				0	38	SPACE	
SPACE	39	0				0	40	SPACE	
SPACE	41	0				0	42	SPACE	
SUBTOTAL "A"		8400				6940			
SUBTOTAL "B"						8400			
TOTAL VOLT-AMPERES A & B:		30,640 VA							



FILE NAME = P:\U0070052\Plans\sheet64-Lighting.dgn  
 PLOT DATE = 1/13/2009 10:45:15 AM

DESIGNED - MTP	REVISED -
DRAWN - RJS	REVISED -
CHECKED - JJF	REVISED -
DATE - 01-2009	REVISED -

STATE OF ILLINOIS  
DEPARTMENT OF TRANSPORTATION

ROADWAY LIGHTING DETAILS

SCALE : NONE SHEET NO. 71 OF 75 SHEETS STA. 10+00 TO STA. 44+00

F.A.U. RTE. 7175	SECTION 07-00456-00-RS	COUNTY CHAMPAIGN	TOTAL SHEETS 75	SHEET NO. 71
GOODWIN AVENUE		CONTRACT NO. 91392		
FED. ROAD DIST. NO. ILLINOIS		FED. AID PROJECT		