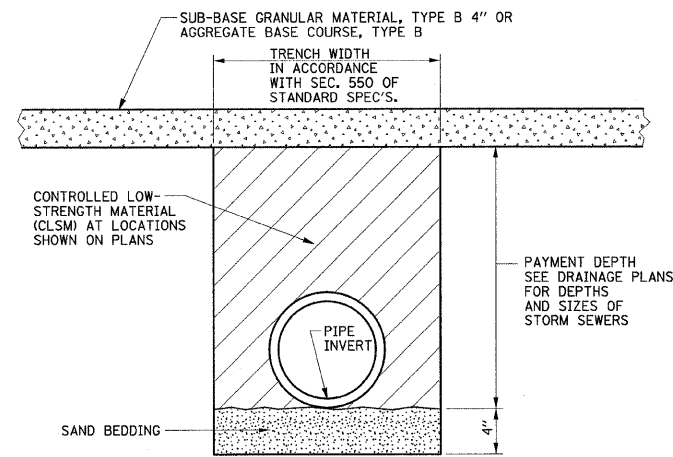


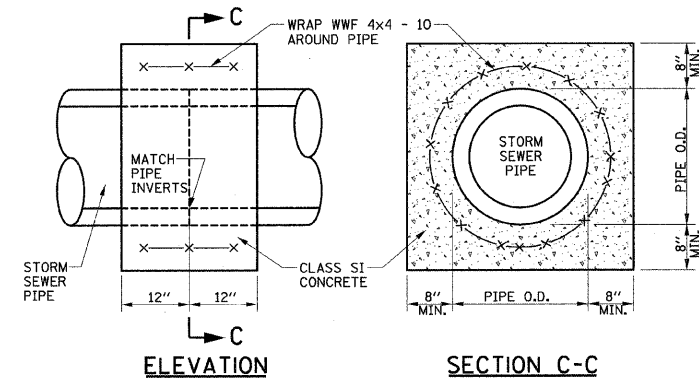
**TYPE 11 FRAME AND GRATE DETAIL**

- NOTES:**
1. SEE THE DRAINAGE PLANS FOR THE LOCATION AND ELEVATION OF THE FRAMES AND GRATES.
  2. THIS DETAIL SHALL BE APPLICABLE FOR PROP. TYPE 11 FRAMES AND GRATES PLACED WITHIN COMBINATION CONCRETE CURB AND GUTTER, TYPE B-6.12 (SPECIAL).
  3. THE TOP-OF-FRAME ELEVATIONS SHOWN ON THE DRAINAGE PLANS ARE 0.02' LOWER THAN THE ADJACENT PROPOSED EDGE OF PAVEMENT ELEVATIONS FOR HMA PAVEMENT.
  4. SEE STANDARD 604051 FOR ADDITIONAL INFORMATION.



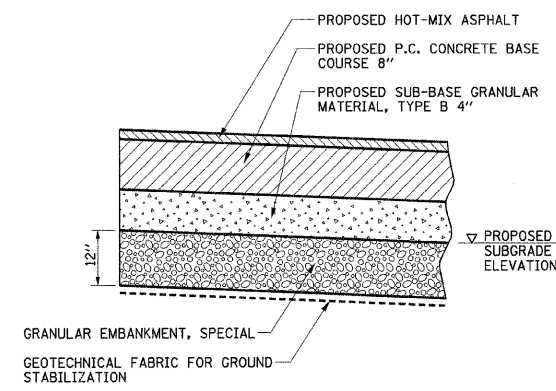
- NOTES:**
1. THE CLSM SHALL BE PLACED IN LIFTS AS DESCRIBED IN SECTION 593 OF THE STANDARD SPECIFICATIONS.
  2. THE APPLICABLE ARTICLES OF SECTION 550 OF THE STANDARD SPECIFICATIONS SHALL APPLY FOR EXCAVATION, BEDDING AND INSTALLATION OF STORM SEWERS.
  3. THE SAND BEDDING SHALL BE CONSIDERED INCLUDED IN THE COST OF THE CLSM AND NO ADDITIONAL COMPENSATION WILL BE ALLOWED.
  4. THE CLSM WILL BE PAID FOR IN ACCORDANCE WITH SECTION 593 OF THE STANDARD SPECIFICATIONS AND INCLUDES PAYMENT FOR THE MATERIAL TO THE TOP OF THE SAND BEDDING AS SHOWN ON THE DETAIL. THE QUANTITIES SHOWN ON THE PLANS ARE BASED ON A DEPTH MEASURED FROM THE TOP OF THE SAND BEDDING TO THE BOTTOM LIMITS OF THE SUB-BASE GRANULAR MATERIAL OR THE AGGREGATE BASE COURSE.

**CONTROLLED LOW-STRENGTH MATERIAL DETAIL**



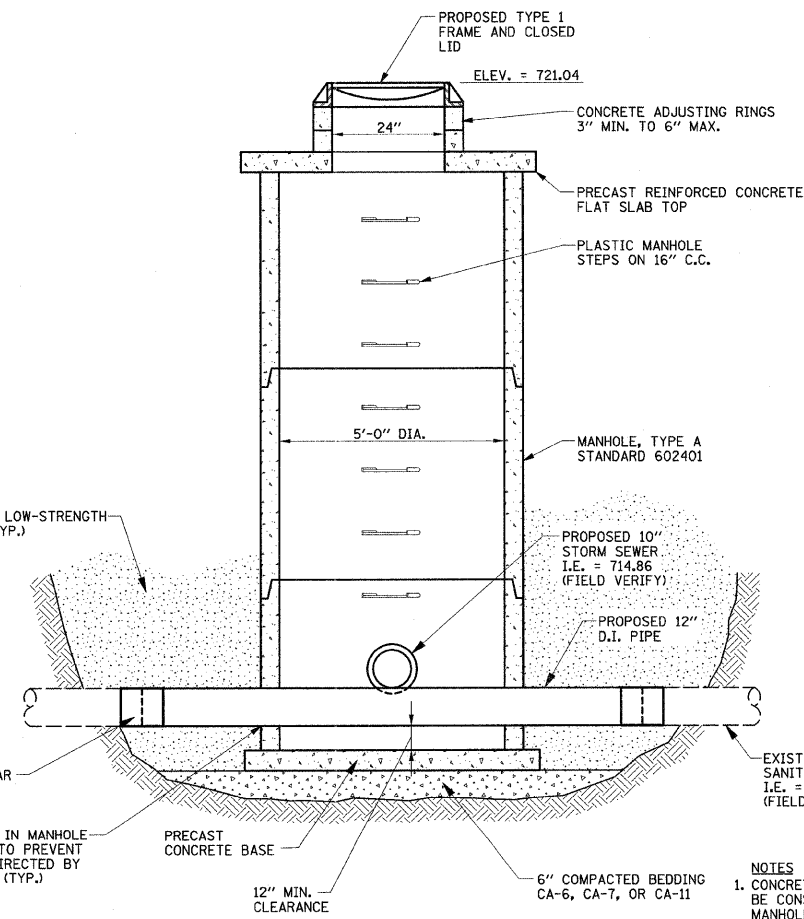
**NOTE:**  
 THE CONCRETE COLLARS SHALL BE UTILIZED WHERE CONNECTING STORM SEWERS OF DIFFERENT TYPES OR AS DIRECTED BY THE ENGINEER. THE COST OF CONSTRUCTING THE CONCRETE COLLARS WILL BE PAID FOR AT THE CONTRACT UNIT PRICE PER EACH FOR CONCRETE COLLAR.

**CONCRETE COLLAR DETAIL**



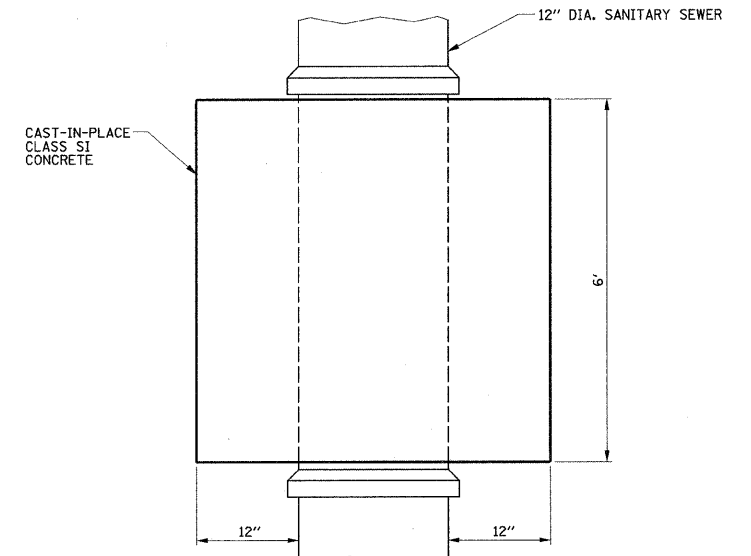
- NOTES:**
1. THIS WORK SHALL BE CONSTRUCTED AT LOCATIONS AS DIRECTED BY THE ENGINEER. SEE PROPOSED TYPICAL SECTION NOTE 14 FOR ADDITIONAL INFORMATION.
  2. THE WORK SHALL BE IN ACCORDANCE WITH SECTION 210 OF THE STANDARD SPECIFICATIONS. THE GRANULAR EMBANKMENT, SPECIAL WILL BE PAID FOR AT THE CONTRACT UNIT PRICE PER TON. THE GEOTECHNICAL FABRIC FOR GROUND STABILIZATION WILL BE PAID FOR AT THE CONTRACT UNIT PRICE PER SQUARE YARD. THE EARTH REMOVAL BELOW THE PROPOSED SUBGRADE ELEVATION LINE WILL BE PAID FOR AS REMOVAL AND DISPOSAL OF UNSUITABLE MATERIAL.

**SUBGRADE REMOVAL AND REPLACEMENT DETAIL**

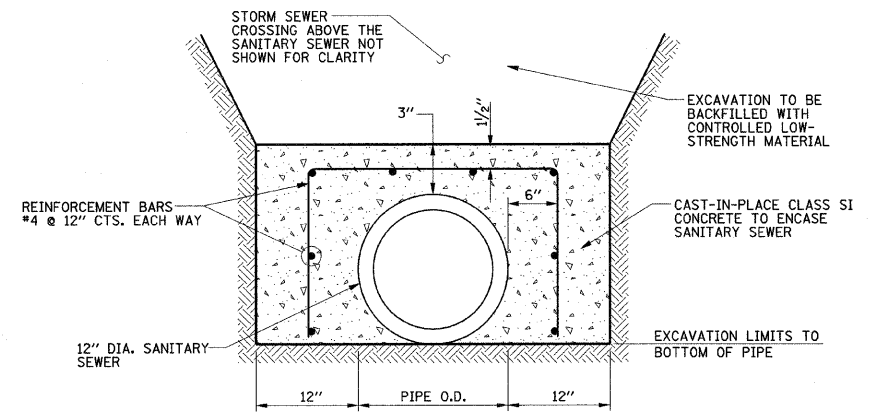


**MANHOLE, SPECIAL DETAIL**  
 CONFLICT MANHOLE STA. 27+53.0, 14.5' RT.

- NOTES:**
1. CONCRETE FILLET SHALL NOT BE CONSTRUCTED IN THE MANHOLE.
  2. MANHOLE STEPS REQUIRED.



**PLAN**



- NOTES:**
1. THE CONCRETE ENCASEMENT SHALL BE CONSTRUCTED PRIOR TO INSTALLING THE STORM SEWER PIPE TO PREVENT DAMAGE TO THE SANITARY SEWER.
  2. THE COST OF CONSTRUCTING THE CONCRETE ENCASEMENT WILL BE PAID FOR AT THE CONTRACT UNIT PRICE EACH FOR CONCRETE ENCASEMENTS. THE WORK SHALL INCLUDE THE EXCAVATION, CONCRETE, AND REINFORCEMENT BARS. THE CONTROLLED LOW-STRENGTH MATERIAL WILL BE PAID FOR SEPARATELY.

**CONCRETE ENCASEMENT DETAIL**  
 (FOR STORM SEWER AND SANITARY SEWER CROSSING)

STA. 27+86, 17' RT.

FILE NAME = p:\u0070052\plans\sheets\72-MiscDetails.dgn	DESIGNED - JAJ	REVISED -
PLOT DATE = 1/12/2009 7:47:23 PM	DRAWN - JRM	REVISED -
	CHECKED - RLH	REVISED -
	DATE - 01-2009	REVISED -

STATE OF ILLINOIS DEPARTMENT OF TRANSPORTATION	MISCELLANEOUS DETAILS
---	-----------------------

SCALE : NONE	SHEET NO. 72 OF 75 SHEETS	STA. TO STA.
--------------	---------------------------	--------------

F.A.U. RTE. 7175	SECTION 07-00456-00-RS	COUNTY CHAMPAIGN	TOTAL SHEETS 75	SHEET NO. 72
GOODWIN AVENUE			CONTRACT NO. 91392	
FED. ROAD DIST. NO.		ILLINOIS FED. AID PROJECT		