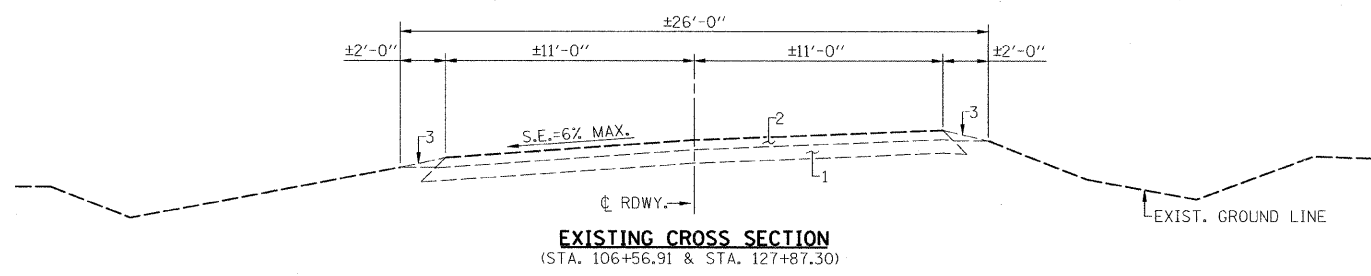
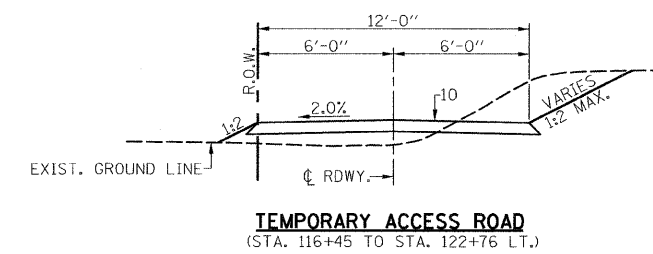
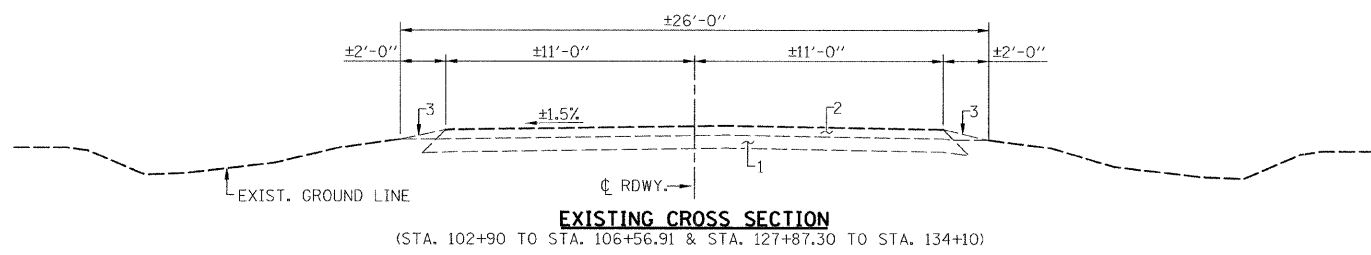
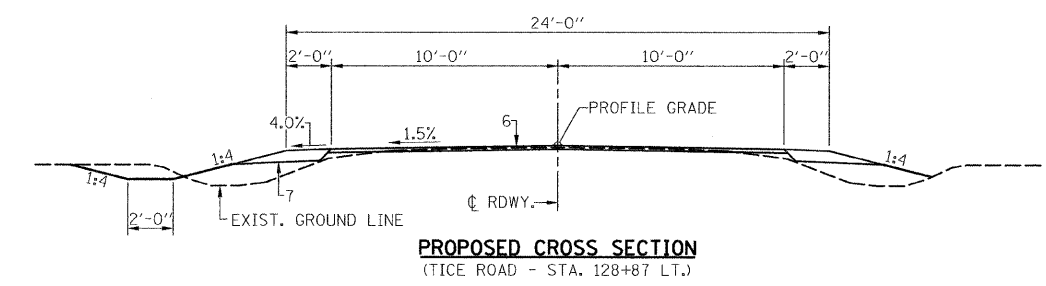
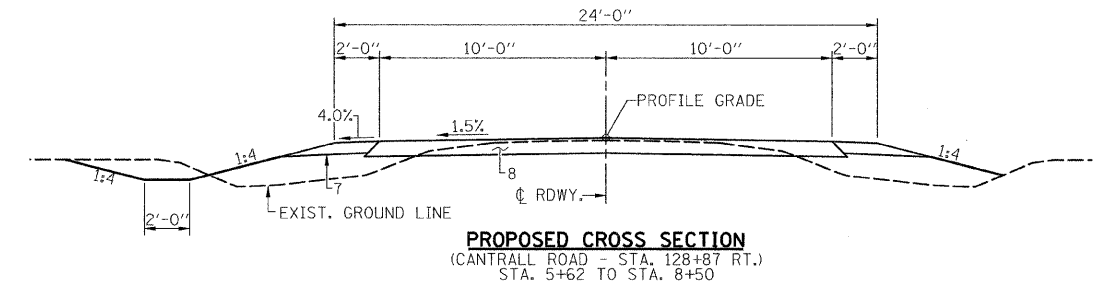
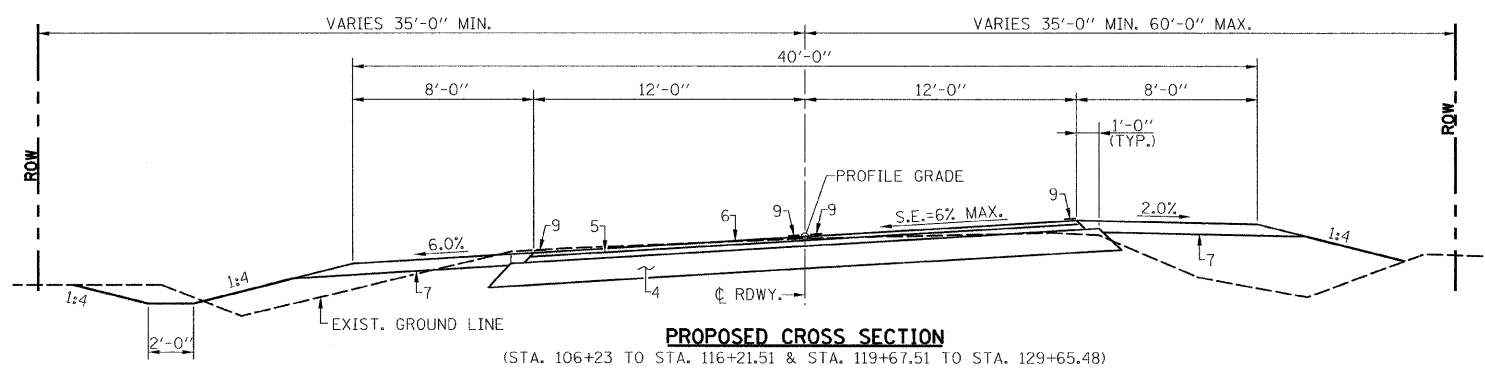
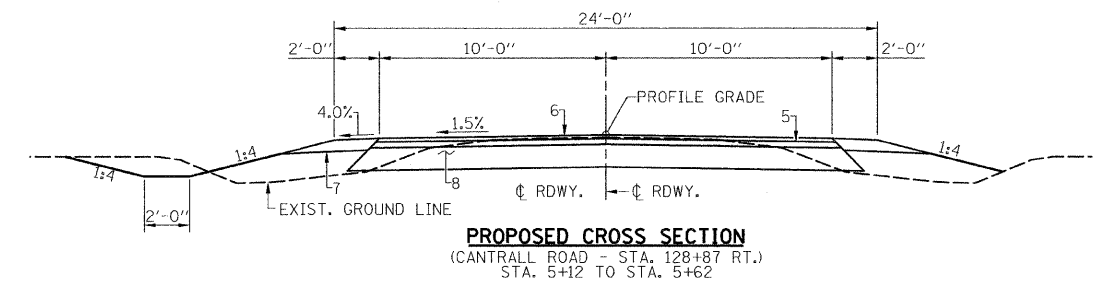
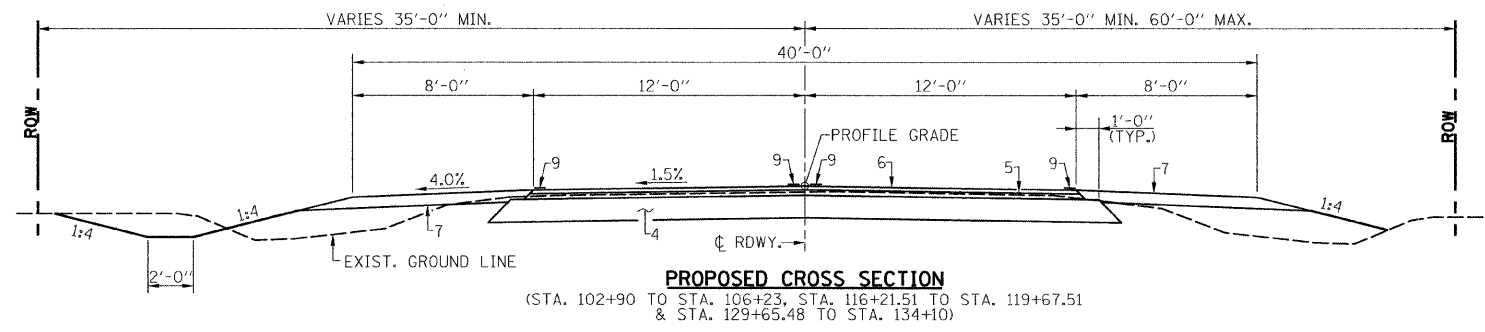


F.A.S. RTE.	SECTION	COUNTY	TOTAL SHEETS	SHEET NO.
574	07-00056-00-PV	MENARD	34	3
FED. ROAD DIST. NO.			ILLINOIS FED. AID PROJECT	
			CONTRACT NO. 93477	



PAVEMENT LEGEND

1. EXISTING AGGREGATE BASE COURSE (±7")
2. EXISTING HOT MIX ASPHALT OVERLAYS (±5")
3. EXISTING AGGREGATE SHOULDER WEDGE
4. PROPOSED AGGREGATE BASE COURSE TYPE A (12")
5. PROPOSED HOT MIX ASPHALT BINDER COURSE IL-19.0 N50 (3")
6. PROPOSED HOT MIX ASPHALT SURFACE COURSE, MIX. C N50 (2")
7. PROPOSED AGGREGATE SHOULDERS TYPE A (6")
8. PROPOSED AGGREGATE SURFACE COURSE TYPE A 8"
9. PROPOSED PAINT PAVEMENT MARKING LINE 4"
10. PROPOSED AGGREGATE SURFACE COURSE, TYPE B 6"
11. PROPOSED AGGREGATE SHOULDERS TYPE A (4")

FILE NAME =	USER NAME = #USER#	DESIGNED -	REVISED -		Allen Henderson & Associates, Inc. Civil and Structural Engineers Springfield, IL. 62703 Phone: (217)544-8033 IL Design Firm No. 184-001907	TYPICAL SECTIONS			F.A.S. RTE.	SECTION	COUNTY	TOTAL SHEETS	SHEET NO.
#FILEL#		DRAWN -	REVISED -			SCALE: NONE	SHEET NO. 2 OF 14 SHEETS	STA. 102+90.00 TO STA. 134+10.00	574	07-00056-00-PV	MENARD	34	3
	PLOT SCALE = #SCALE#	CHECKED -	REVISED -						FED. ROAD DIST. NO.		ILLINOIS FED. AID PROJECT		
	PLOT DATE = #DATE#	DATE -	REVISED -								CONTRACT NO.		