

F.A.S. RTE.	SECTION	COUNTY	TOTAL SHEETS	SHEET NO.
574	07-00056-00-PV	MENARD	34	12
FED. ROAD DIST. NO. ILLINOIS FED. AID PROJECT			CONTRACT NO. 93477	

GENERAL NOTES

Reinforcement bars shall conform to the requirements of A.S.T.M. A 706, Grade 60. See Special Provisions.
 For backfilling and embankment, see Special Provisions.
 Lifting holes shall be filled with concrete plugs and mastic after box sections are in place.
 Precast concrete box culvert sections shall conform to the requirements of Article 540.06 of the Standard Specifications and the applicable requirements of A.A.S.H.T.O. M 273.
 Precast concrete box culvert end sections shall conform to the requirements of Article 540.06 of the Standard Specifications and the applicable requirements of A.A.S.H.T.O. M 273.

LOADING HS 20-44

Allow 50#/sq.ft. for future wearing surface

DESIGN SPECIFICATIONS

2002 A.A.S.H.T.O. Specifications

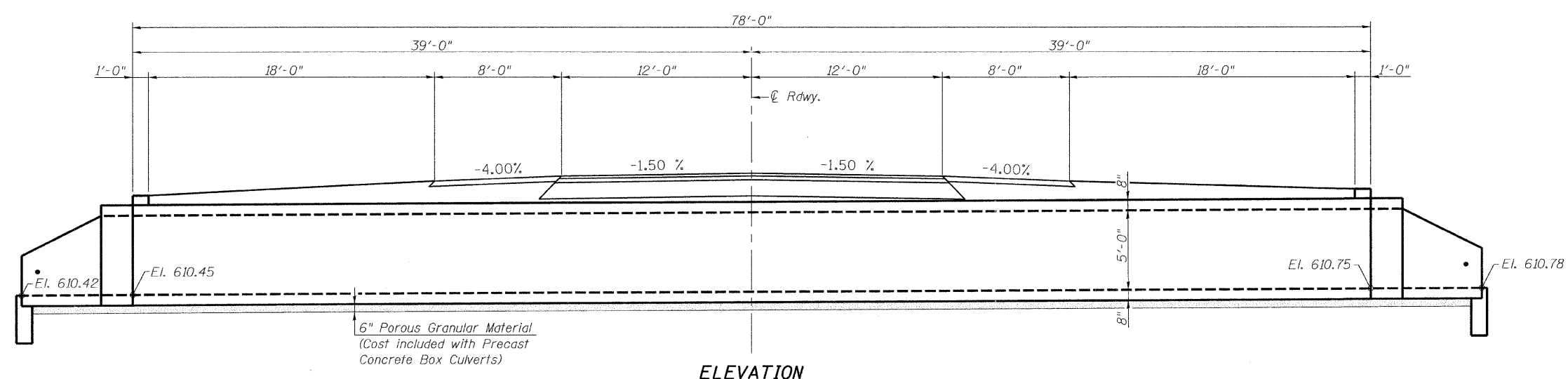
DESIGN STRESSES

FIELD UNITS

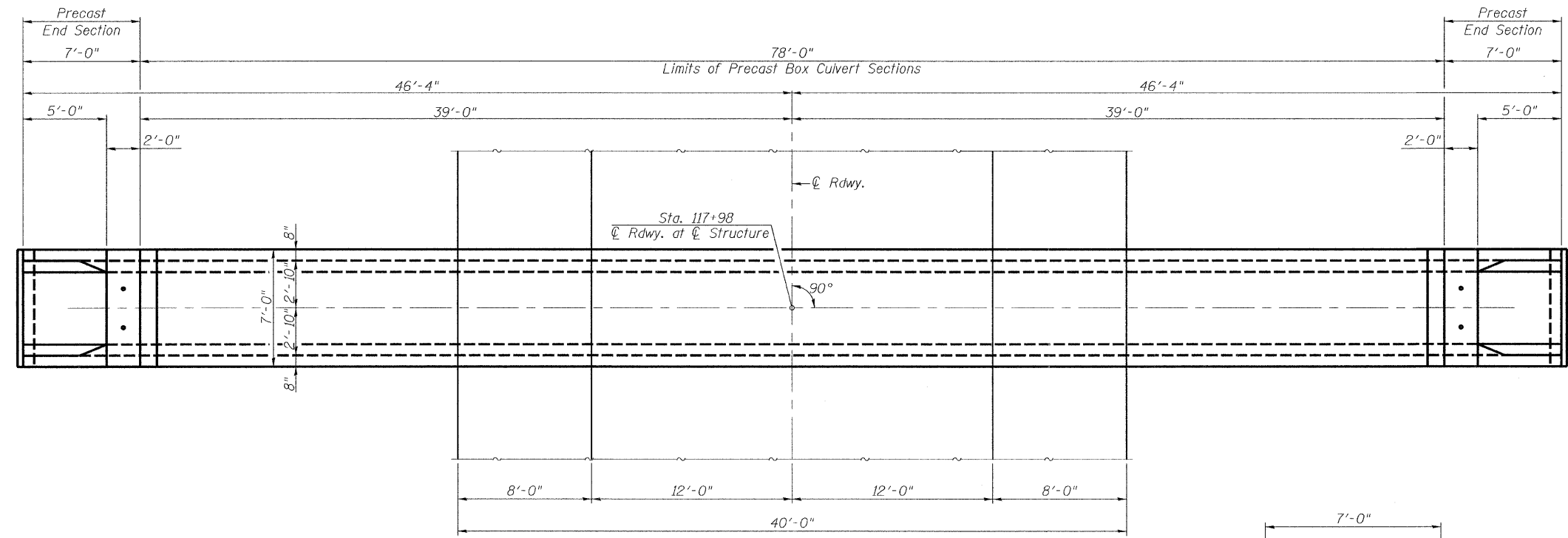
$f'_c = 3,500$ psi.
 $f_y = 60,000$ psi (reinforcement)

PRECAST UNITS

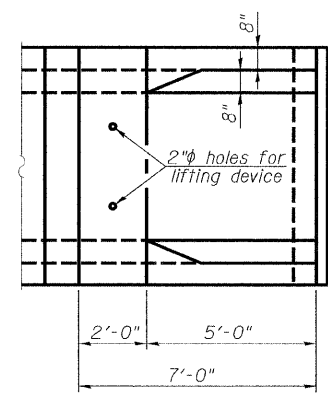
$f'_c = 5,000$ psi.
 $f_y = 65,000$ psi (welded wire fabric)



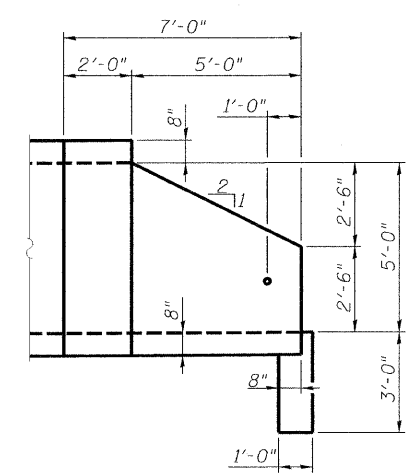
ELEVATION



PLAN



PLAN



SIDE VIEW

BILL OF MATERIAL

Precast Concrete Box Culverts 7'x5' (M273)	Foot	78
Box Culvert End Sections	Each	2