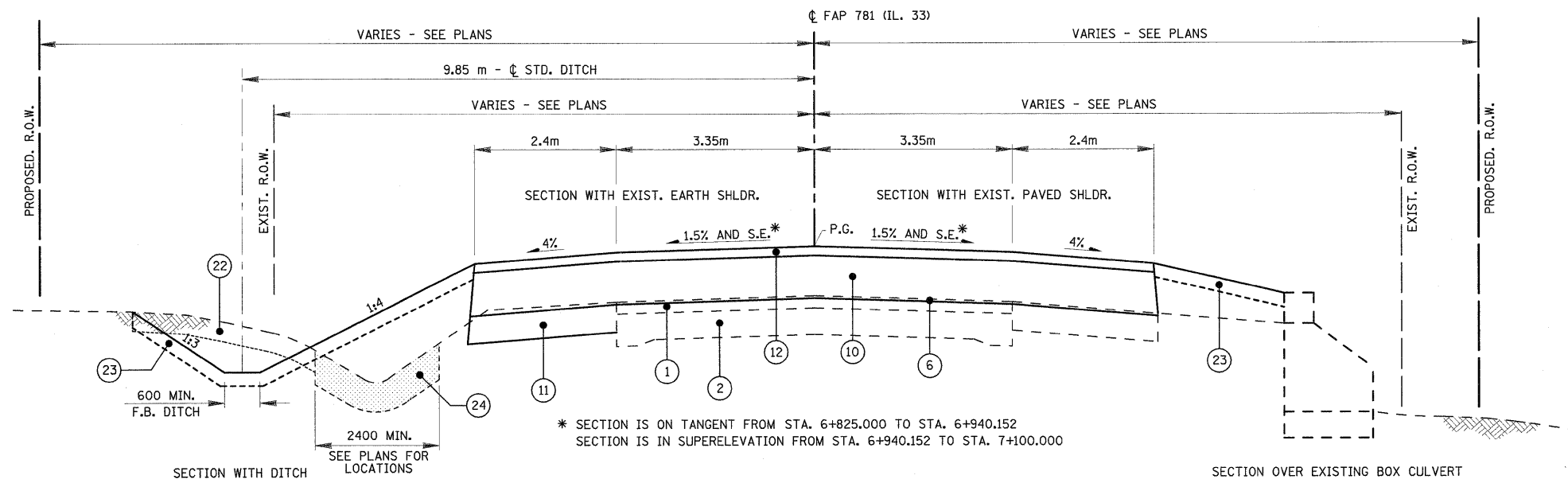


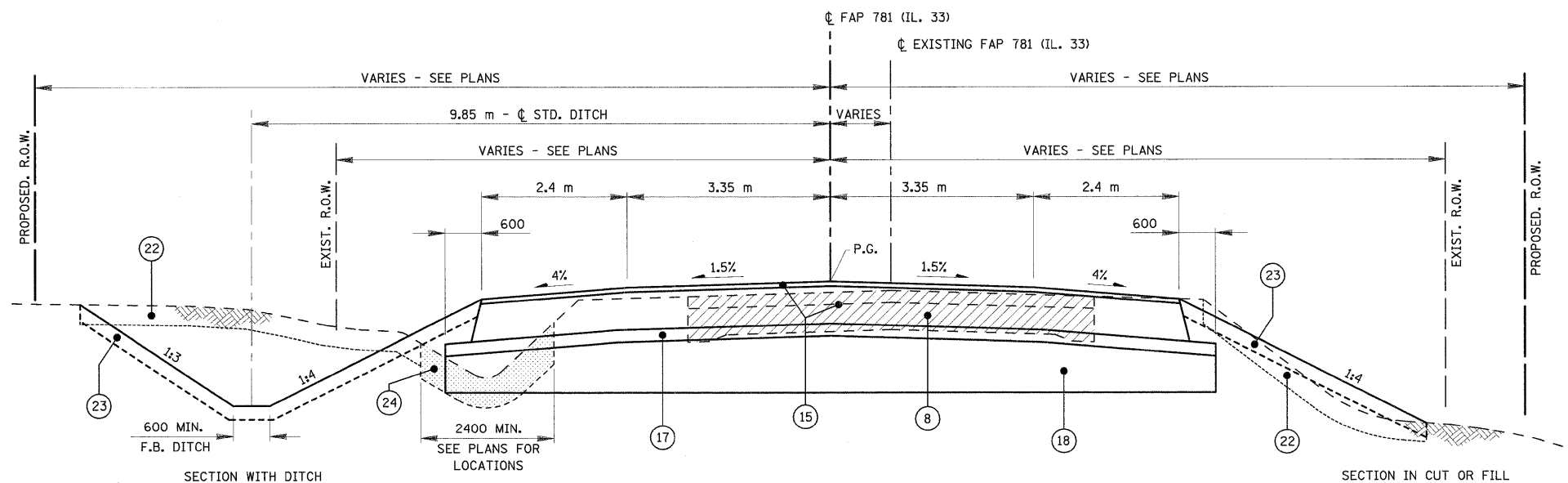
F.A.P. RTE.	SECTION	COUNTY	TOTAL SHEETS	SHEET NO.
781	1YRS	CRAWFORD	212	11
STA.		TO STA.		
FED. ROAD DIST. NO.		ILLINOIS	FED. AID PROJECT	



TYPICAL RTE. 33 RURAL SECTION - VERTICAL REALIGNMENT
STA. 6+825.000 TO STA. 7+100.000

LEGEND

- ① EXISTING BITUMINOUS SURFACE
- ② EXISTING P.C. CONCRETE BASE
- ③ EXISTING EARTH SHOULDER
- ④ EXISTING BITUMINOUS PAVEMENT
- ⑤ EXISTING BITUMINOUS SHOULDER
- ⑥ M4400715 - HOT-MIX ASPHALT SURFACE REMOVAL, 15mm
- ⑦ M4400950 - HOT-MIX ASPHALT SURFACE REMOVAL, VARIABLE DEPTH
- ⑧ M4402000 - PAVEMENT REMOVAL
- ⑨ M4400740 - HOT-MIX ASPHALT SURFACE REMOVAL, 40mm
- ⑩ M3552100 - HOT-MIX ASPHALT BASE COURSE, VARIABLE DEPTH
- ⑪ M4820550 - HOT-MIX ASPHALT SHOULDERS, 150mm
- ⑫ M4063340 - HOT-MIX ASPHALT SURFACE COURSE, MIX "D", N70 (38mm)
- ⑬ M4062135 - LEVELING BINDER (MACHINE METHOD), N70
- ⑭ EXISTING AGGREGATE SHOULDER
- ⑮ M4075350 - HOT-MIX ASPHALT PAVEMENT (FULL DEPTH), 350mm (312mm BASE COURSE, 38mm SURFACE COURSE)
- ⑯ M3111100 - SUB-BASE GRANULAR MATERIAL, TYPE B, 100mm
- ⑰ M3021500 - LIME
M3020456 - PROCESSING MODIFIED SOIL MIXTURE, 300mm
- ⑱ M4810150 - AGGREGATE SHOULDERS, TYPE B 150mm
- ⑳ M2112500 - TOPSOIL EXCAVATION
- ㉑ M2112500 - TOPSOIL PLACEMENT
- ㉒ M2021200 - REMOVAL AND DISPOSAL OF UNSUITABLE MATERIAL



TYPICAL RTE. 33 RURAL SECTION - RECONSTRUCTION
STA. 13+143.500 TO STA. 13+750.733 (BK)

REVISIONS		ILLINOIS DEPARTMENT OF TRANSPORTATION
NAME	DATE	
		TYPICAL SECTIONS F.A.P. 781 SCALE NO SCALE DRAWN BY KOJ DATE DECEMBER 22, 2008 CHECKED BY LWJ

PLOT DATE = 12/22/2008
FILE NAME = H:\1420\Contract 94533\SH1_009.dwg