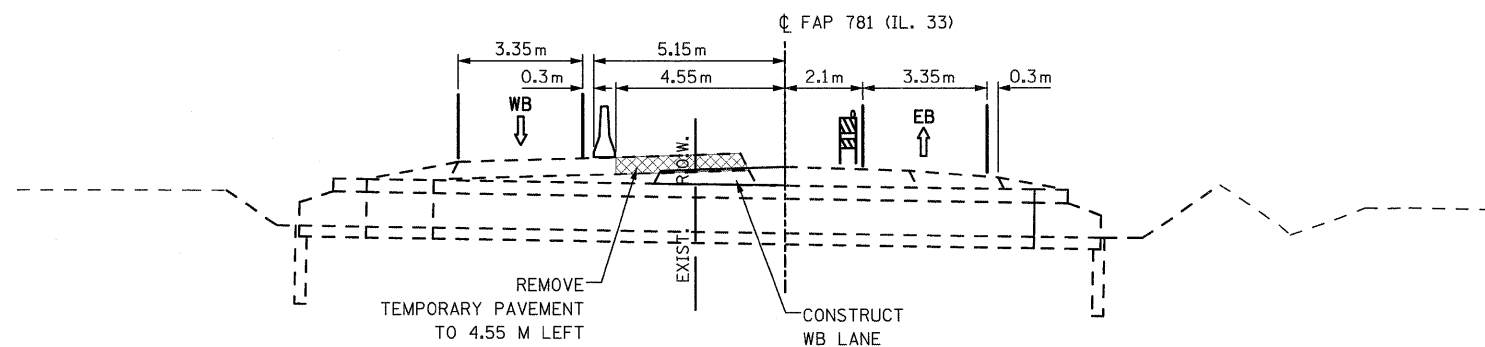
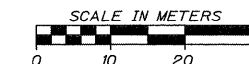


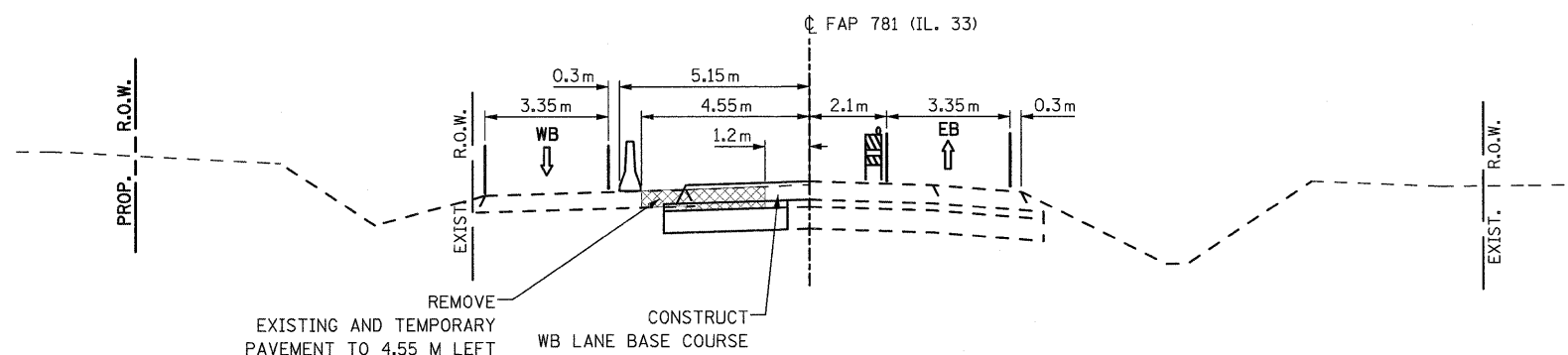
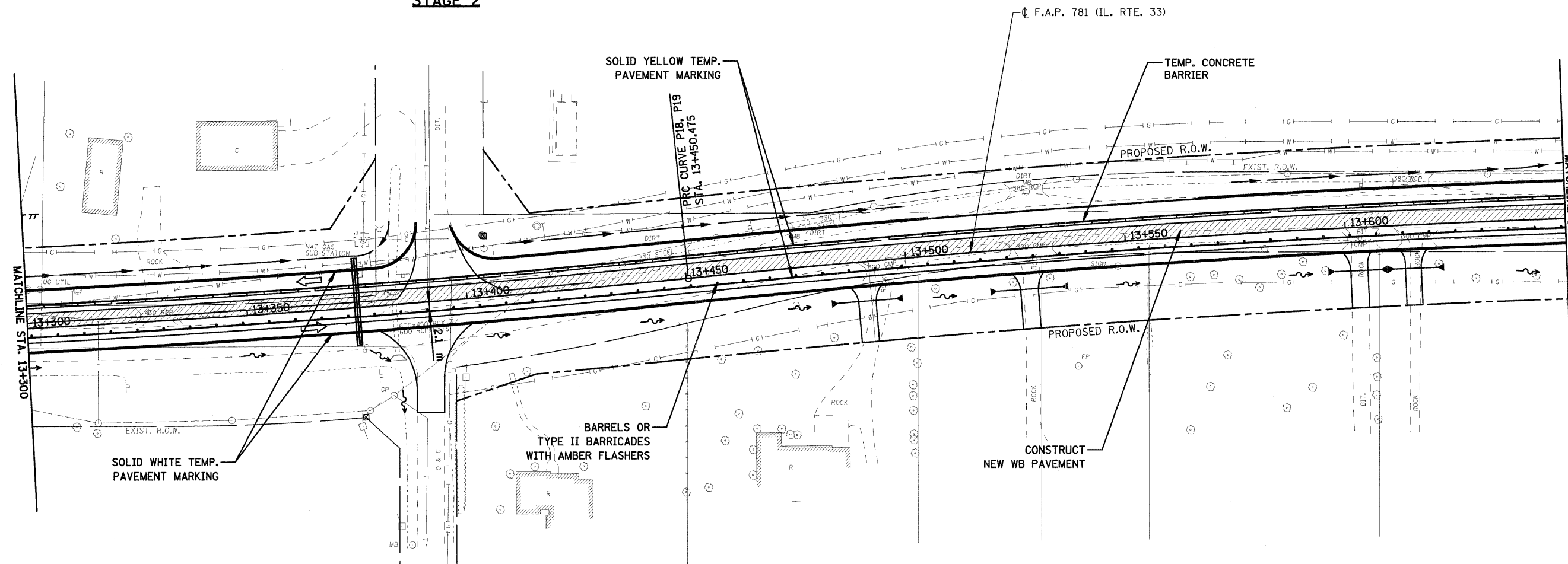
F.A.P. RTE.	SECTION	COUNTY	TOTAL SHEETS	SHEET NO.
781	1YRS	CRAWFORD	212	72
STA. TO STA.		ILLINOIS FED. AID PROJECT		
FED. ROAD DIST. NO.		FED. AID PROJECT		

**LEGEND**

 CONSTRUCTION THIS STAGE



**BOX CULVERT STA. 13+375  
STAGE 2**



**TYPICAL SECTION  
STAGE 2**

**STAGING NOTES:**

1. MAINTAIN TEMPORARY AGGREGATE ENTRANCES AS NEEDED TO MAINTAIN ACCESS.
2. TWO-WAY / TWO-LANE TRAFFIC SHALL BE RESTORED AT THE END OF THE WORK DAY. TWO-WAY / ONE-LANE TRAFFIC SHALL BE USED ON A LIMITED BASIS, WHEN REQUIRED, UTILIZING THE APPROPRIATE STANDARD.
3. FINAL HMA SURFACE COURSE SHALL BE PLACED THROUGHOUT THE PROJECT LIMITS AS A SEPARATE STAGE.

PLOT DATE = 12/22/2006  
FILE NAME = H:\V\20\Contract\94533\SH2\_072\_stage2.2.dgn

HMG JOB NO. 4420