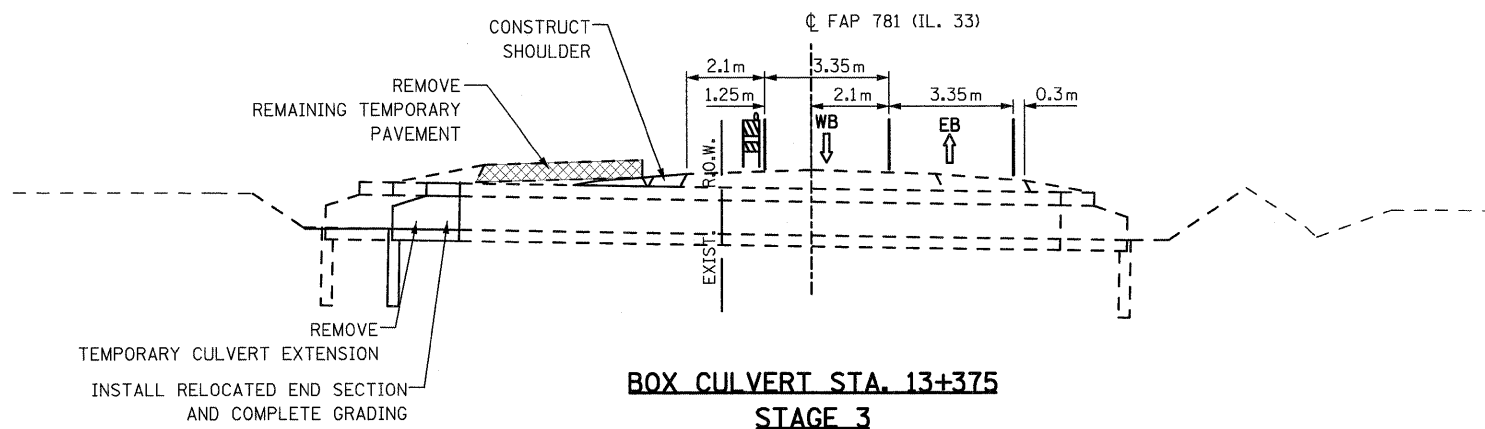
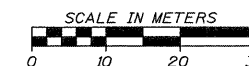


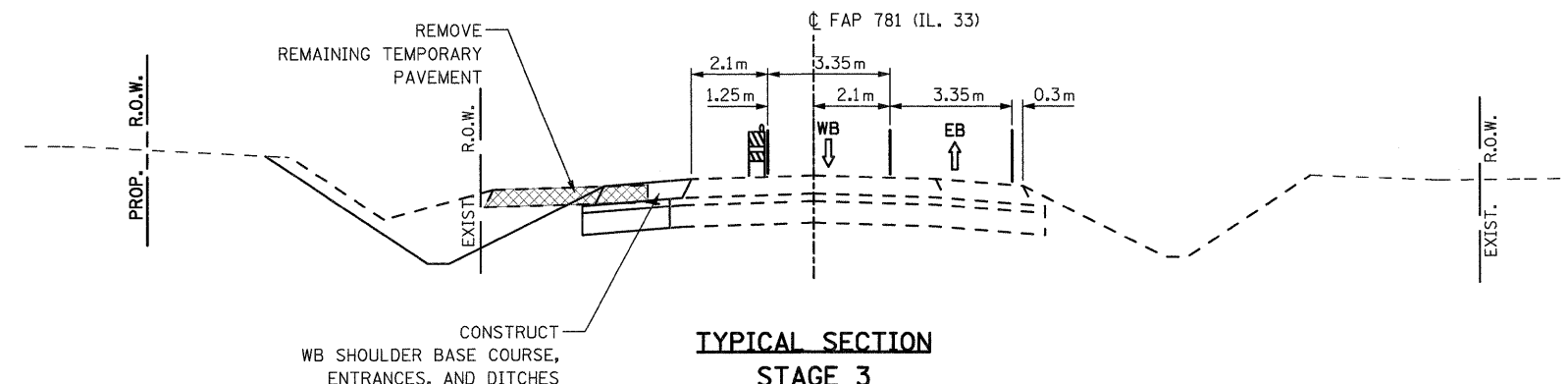
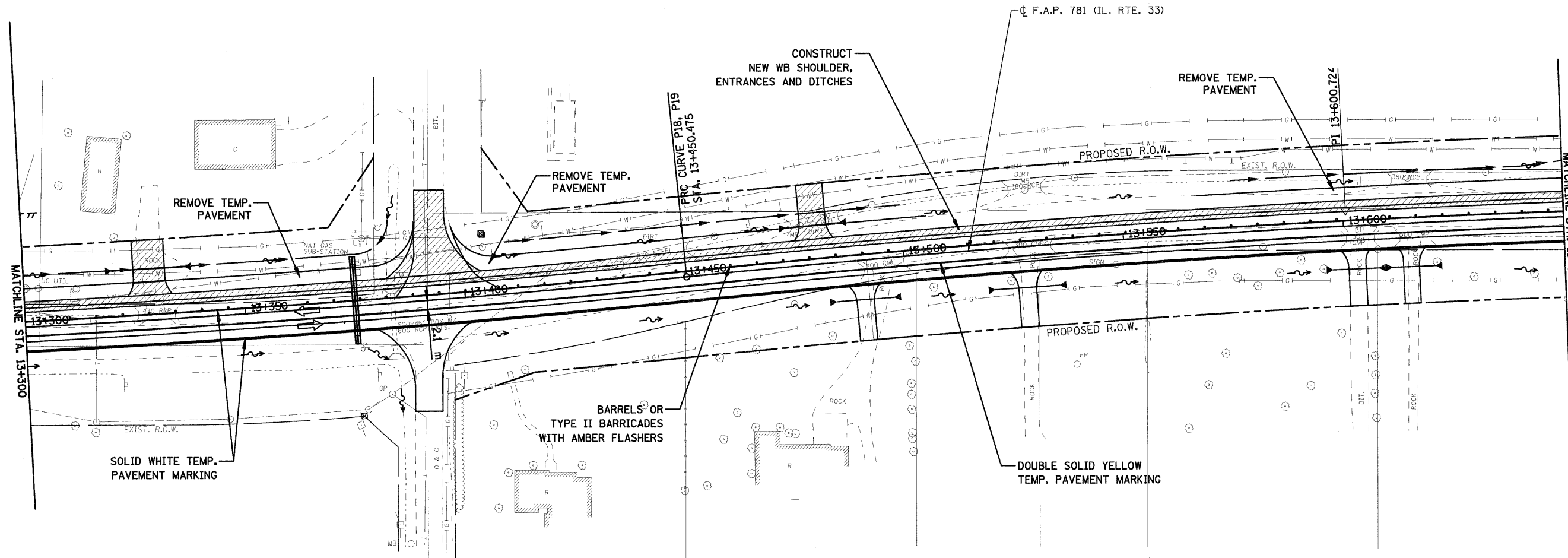
F.A.P. RTE.	SECTION	COUNTY	TOTAL SHEETS	SHEET NO.
781	1YRS	CRAWFORD	212	75
STA. TO STA.		ILLINOIS	FED. AID PROJECT	
FED. ROAD DIST. NO.				

LEGEND

 CONSTRUCTION THIS STAGE



**BOX CULVERT STA. 13+375
STAGE 3**



**TYPICAL SECTION
STAGE 3**

NOTES:

1. MAINTAIN TEMPORARY AGGREGATE ENTRANCES AS NEEDED TO MAINTAIN ACCESS.
2. TWO-WAY / TWO-LANE TRAFFIC SHALL BE RESTORED AT THE END OF THE WORK DAY. TWO-WAY / ONE-LANE TRAFFIC SHALL BE USED ON A LIMITED BASIS, WHEN REQUIRED, UTILIZING THE APPROPRIATE STANDARD.
3. FINAL HMA SURFACE COURSE SHALL BE PLACED THROUGHOUT THE PROJECT LIMITS AS A SEPARATE STAGE.

PLOT DATE = 12/22/2008
FILE NAME = H:\4420\Conte-mat_94533\SHT_075_stage3_2.dgn

HMG JOB NO. 4420