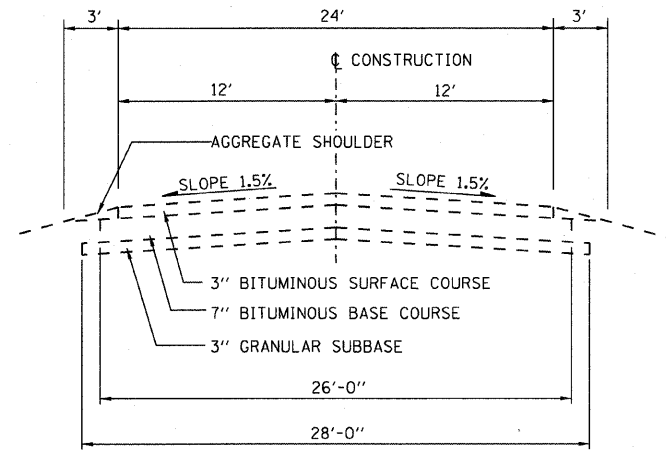


ROUTE NO.	SECTION	COUNTY	TOTAL SHEETS	SHEET NO.
FAS 1539	•	MACON	57	2
FED. ROAD DIST. NO.	ILLINOIS	PROJECT		
•00-00155-00-BR				

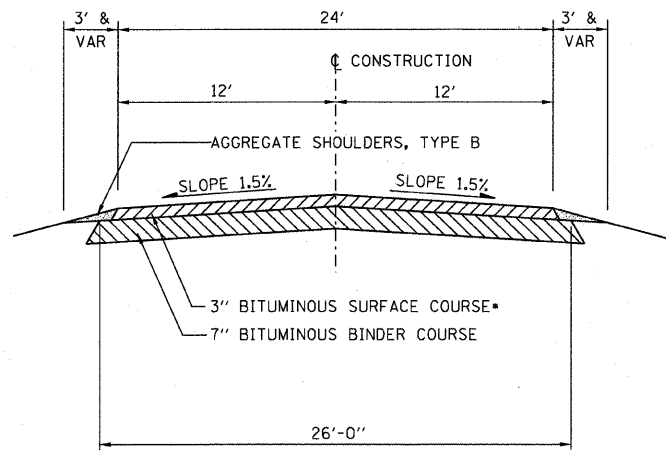
SUMMARY OF QUANTITIES

CODE NUMBER	ITEM	UNIT	QUANTITY
42001165	BRIDGE APPROACH PAVEMENT	SO YD	249
42001430	BRIDGE APPROACH PAVEMENT CONNECTOR (FLEXIBLE)	SO YD	75
• 44004400	PAVEMENT REMOVAL (SPECIAL)	SO YD	214
50102400	CONCRETE REMOVAL	CU YD	29.7
• 50104720	REMOVAL OF EXISTING CONCRETE DECK	EACH	1
50300100	FLOOR DRAINS	EACH	88
50300225	CONCRETE STRUCTURES	CU YD	31.3
50300255	CONCRETE SUPERSTRUCTURE	CU YD	836.2
50300260	BRIDGE DECK GROOVING	SO YD	2645
50300300	PROTECTIVE COAT	SO YD	3410
50500405	FURNISHING AND ERECTING STRUCTURAL STEEL	POUND	15,550
50500505	STUD SHEAR CONNECTORS	EACH	4430
• 50500715	JACK AND REMOVE EXISTING BEARINGS	EACH	35
• 50600300	CLEANING AND PAINTING STEEL BRIDGE	L SUM	1
• 50606400	CONTAINMENT AND DISPOSAL OF LEAD PAINT CLEANING RESIDUES	L SUM	1
50800205	REINFORCEMENT BARS, EPOXY COATED	POUND	237,770
50800515	BAR SPLICERS	EACH	74
51500100	NAME PLATES	EACH	1
52000110	PREFORMED JOINT STRIP SEAL	FT	81
52000216	FINGER PLATE EXPANSION JOINT, 5"	FT	38.3
52100010	ELASTOMERIC BEARING ASSEMBLY, TYPE I	EACH	20
52100020	ELASTOMERIC BEARING ASSEMBLY, TYPE II	EACH	15
• 63000130	STEEL PLATE BEAM GUARD RAIL, TYPE A (SPECIAL)	FOOT	80
• 63100215	TRAFFIC BARRIER TERMINAL, TYPE 6 (SPECIAL)	EACH	4
63200310	GUARDRAIL REMOVAL	FOOT	252
67100100	MOBILIZATION	L SUM	1
70101830	TRAFFIC CONTROL AND PROTECTION, STANDARD BLR 21	L SUM	1
• 78001110	PAINT PAVEMENT MARKING - LINE 4"	FOOT	1762
• X0325305	STRUCTURAL REPAIR OF CONCRETE (DEPTH EQUAL TO OR LESS THAN 5 INCHES)	SO FT	46.3

• SEE SPECIAL PROVISIONS  
 • SPECIALTY ITEMS

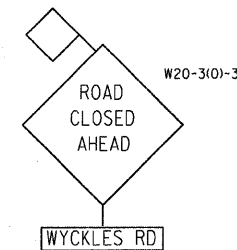


CROSS SECTION OF EXISTING PAVEMENT STRUCTURE  
 NOT TO SCALE



• 3" OR REQUIRED THICKNESS TO MATCH EXISTING PAVEMENT ELEVATION

CROSS SECTION OF PROPOSED BRIDGE APPROACH PAVEMENT CONNECTOR  
 NOT TO SCALE



ROAD CLOSED SIGN DETAIL

GENERAL NOTES

- ALL UNSURFACED AREAS WITHIN THE RIGHT-OF-WAY THAT ARE DISTURBED BY CONSTRUCTION OF THIS PROJECT SHALL BE SEEDED, FERTILIZED AND MULCHED AS DIRECTED BY THE ENGINEER. MULCH SHALL BE APPLIED IN ACCORDANCE WITH METHOD I, SECTION 251 OF THE STANDARD SPECIFICATIONS. THIS WORK SHALL BE INCLUDED IN THE COST OF THE VARIOUS PAY ITEMS FOR THE CONTRACT AND NO ADDITIONAL COMPENSATION WILL BE ALLOWED.
- IT SHALL BE THE CONTRACTOR'S RESPONSIBILITY TO VERIFY THICKNESS AND TYPE OF ALL EXISTING PAVEMENT TO BE REMOVED. NO ADDITIONAL COMPENSATION WILL BE ALLOWED FOR VARIATIONS IN EXISTING PAVEMENT THICKNESS OR TYPES SHOWN IN THE PLANS.
- WYCKLES ROAD CLOSURE SIGNS SHALL BE PLACED ACCORDING TO THE SPECIAL PROVISIONS. COLORING AND LETTERING SHALL MATCH W20-3101-36 IN STANDARD BLR21.

WYCKLES ROAD OVER THE SANGAMON RIVER

REVISIONS				FAS 1539		SECTION 00-00155-00-BR		DRAWN BY DATE	
NO.	DATE	INITIALS						R KING	9/08
1								JMS	9/08
2									
3									
4									
5									
6									
7									
8									
9									
10									

STA 30+50.00	SN 058-3030	MACON COUNTY	BOOK NUMBER <b>389</b>
<b>HOMER L. CHASTAIN &amp; ASSOCIATES, LLP</b> CONSULTING ENGINEERS 184-001377		DECATUR CHICAGO (617) 422-8544 (773) 714-0050	PROJECT No. <b>4698</b> SHEET No.