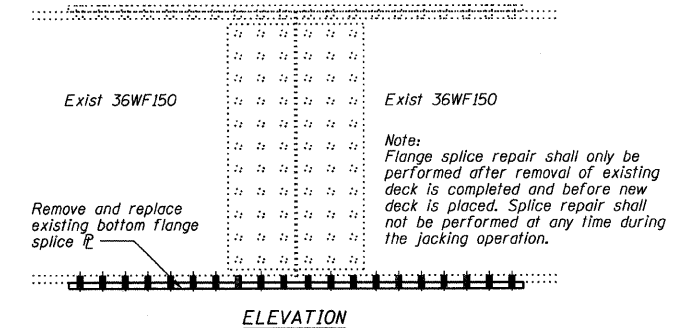
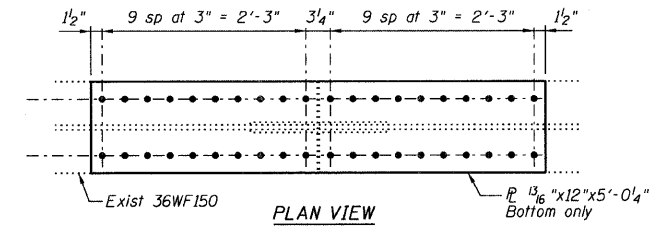
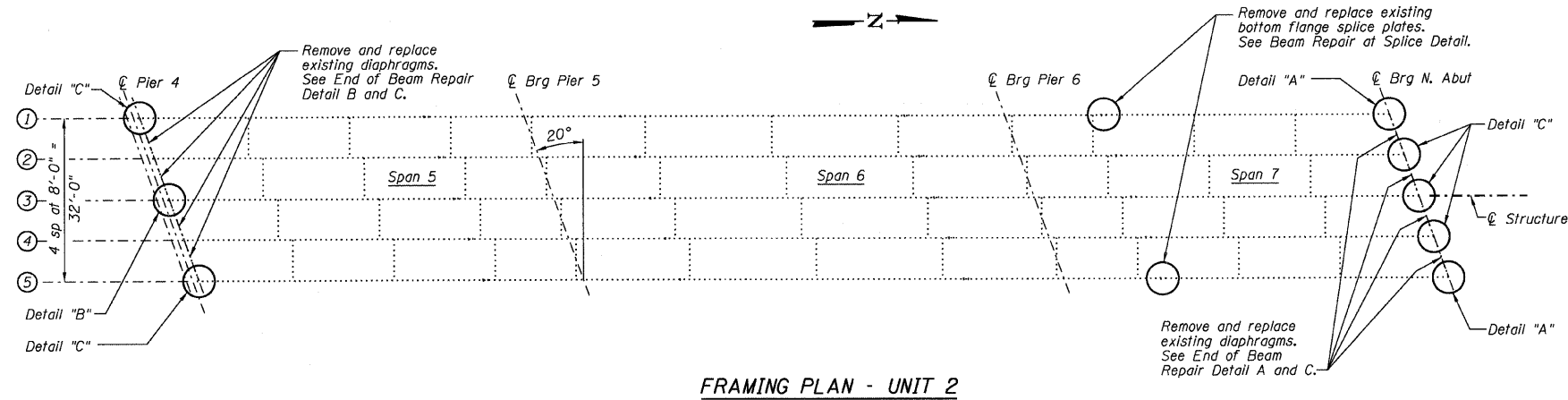
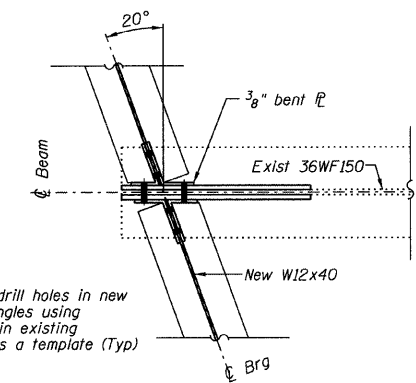


ROUTE NO.	SECTION	COUNTY	TOTAL SHEETS	SHEET NO.
FAS 1539		MACON	57	21
FED. ROAD DIST. NO.	ILLINOIS	PROJECT		

00-00155-00-BR



**BEAM REPAIR AT SPLICE DETAIL**  
(At beams 1 and 5, Span 7)



**BILL OF MATERIAL**

Item	Unit	Total
Furnishing and Erecting Structural Steel	Pound	7760

Note: Hatched area indicates removal of existing structural steel. Cost included with "Furnishing and Erecting Structural Steel". Contractor to field verify all dimensions.

WYCKLES ROAD OVER THE SANGAMON RIVER

**STRUCTURAL STEEL REPAIR DETAILS - UNIT 2**

REVISIONS	FAS 1539	SECTION 00-00155-00-BR	DRAWN BY DATE
NO.	DATE	INITIALS	R KING 9/08
1			CHECKED BY DATE
2			JMS 9/08
3			BOOK NUMBER
4			
5			PROJECT NO.
6			4698
7			SHEET NO.
8			
9			
10			

HOMER L. CHASTAIN & ASSOCIATES, LLP  
CONSULTING ENGINEERS  
184-00197

DECATUR CHICAGO  
(317) 422-8544 (773) 714-0050

ROCKFORD  
(815) 489-0050

