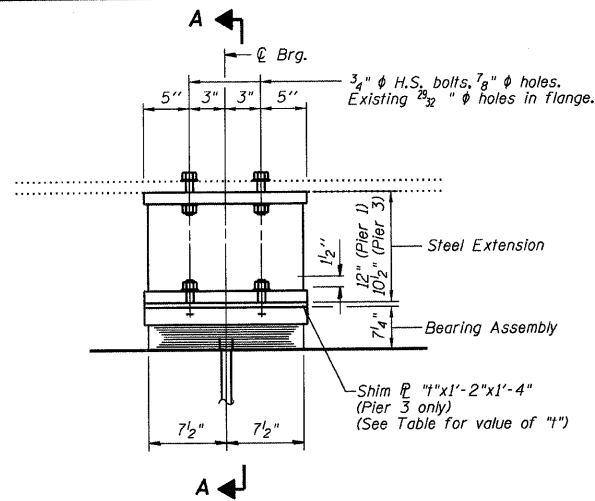


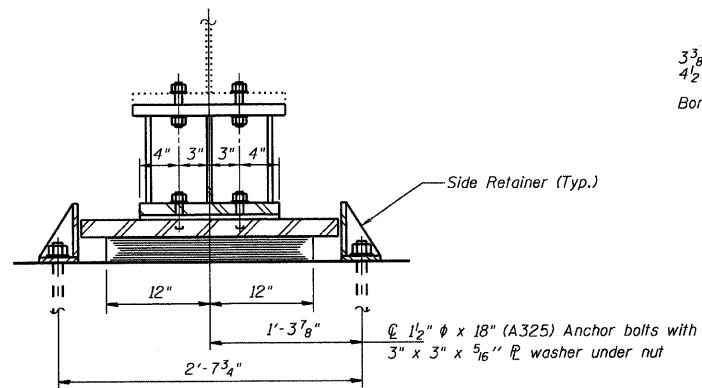
Sheet No. 20
of 30 Sheets

ROUTE NO.	SECTION	COUNTY	TOTAL SHEETS	SHEET NO.
FAS 1539	•	MACON	57	23
FEDERAL DIST.	ILLINOIS	PROJECT		

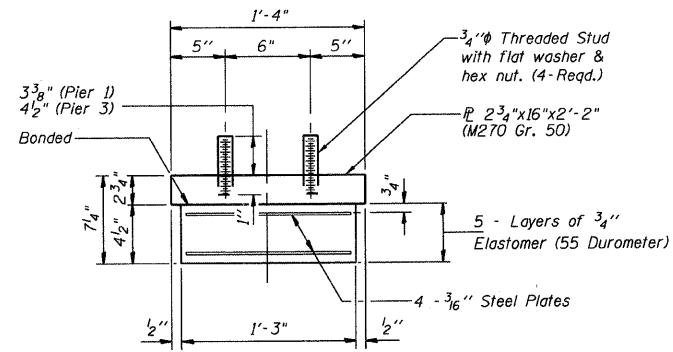
•00-00155-00-BR



ELEVATION AT PIERS 1 & 3 - UNIT 1

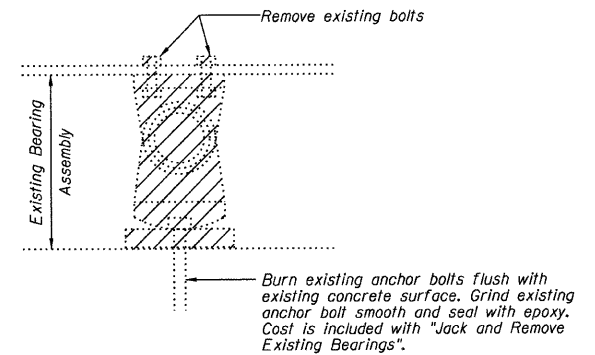


SECTION A-A



BEARING ASSEMBLY
(At Piers 1 & 3 Unit 1)

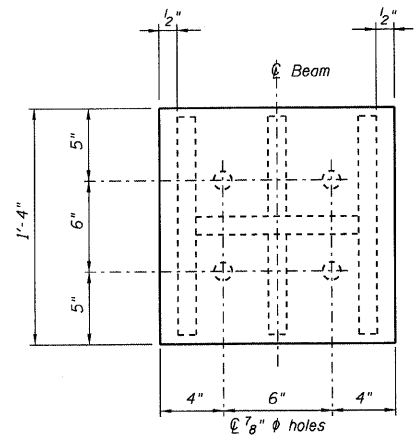
Note: Shim plates shall not be placed under Bearing Assembly.



EXISTING BEARING REMOVAL DETAIL

(S. Abut, Pier 1, Pier 3 and Pier 4)

TYPE I ELASTOMERIC EXPANSION BEARING

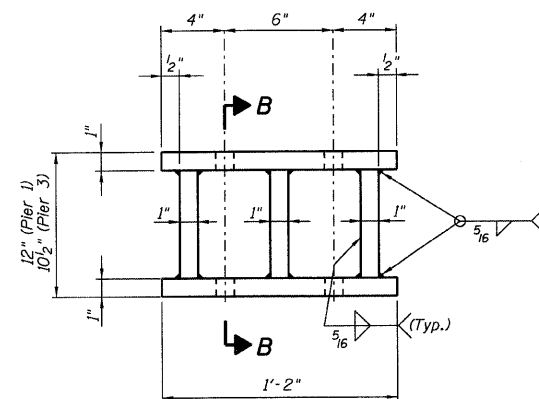


PLAN STEEL EXTENSION

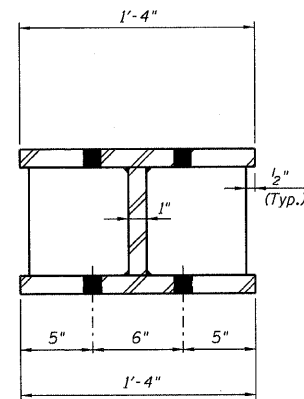
TABLE OF SHIM PLATE THICKNESSES (" in inches)

	Girder 1	Girder 2	Girder 3	Girder 4	Girder 5
Pier 3	3/4"	1 3/8"	--	1 1/4"	1 1/8"

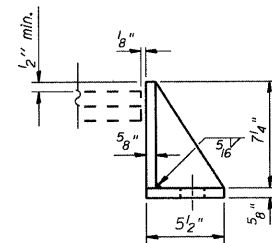
Note:
Prior to ordering any material,
the Contractor shall verify in the
field all bearing height and shim
thickness dimensions.



ELEVATION STEEL EXTENSION



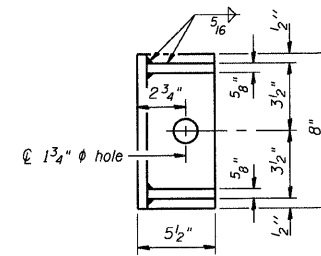
SECTION B-B



SIDE RETAINER

(20 Req'd)

Equivalent rolled angle with stiffeners
will be allowed in lieu of welded plates.



FABRICATED STEEL EXTENSION

(10 required - 5 @ 12", 5 @ 10 1/2")

Notes:
Anchor bolts shall be ASTM F1554 all-thread (or an Engineer-approved alternate material) of the grade(s) and diameter(s) specified, ASTM A307 Grade C anchor bolts may be used in lieu of ASTM F1554 Grade 36 (Fy=36ksi). The corresponding specified grade of AASHTO M314 anchor bolts may be used in lieu of ASTM F1554.

Anchor bolts at fixed bearings may be either cast in place or installed in holes drilled after the supported member is in place.

Anchor bolts for side retainers may be cast in place or installed in holes drilled before or after members are in place.

Drilled and set anchor bolts shall be installed according to Article 521.06 of the Standard Specifications.

Side retainers, anchor bolts and other steel members required for the bearing assembly shall be included in the cost of Elastomeric Bearing Assembly, Type I.

BILL OF MATERIAL

Item	Unit	Total
Elastomeric Bearing Assembly Type I	Each	10
Jack and Remove Existing Bearings	Each	10

PIERS NO. 1 & 3
WYCKLES ROAD OVER THE SANGAMON RIVER

ELASTOMERIC BEARING DETAILS

REVISIONS	FAS 1539	SECTION 00-00155-00-BR	DRAWN BY DATE R KING 9/08
No. DATE INITIALS	STA 30+50.00	SN 058-3030	MACON COUNTY
1			CHECKED BY DATE JMB 9/08
2			BOOK NUMBER
3			PROJECT NO. 4698
4			SHEET NO.
5			
6			
7			
8			
9			
10			

HOMER L. CHASTAIN & ASSOCIATES, LLP
CONSULTING ENGINEERS
184-001277
DECATUR CHICAGO
(317) 422-8644 (773) 714-0650
ROCKFORD
(815) 489-0050