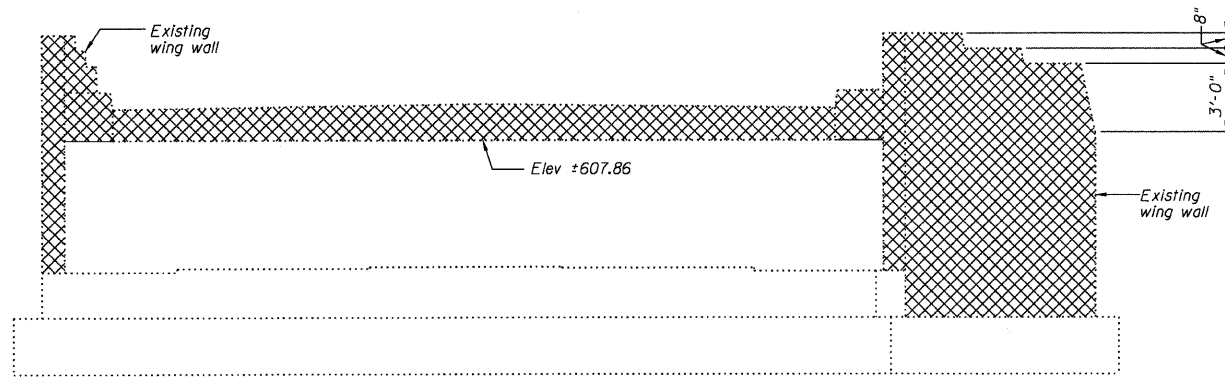


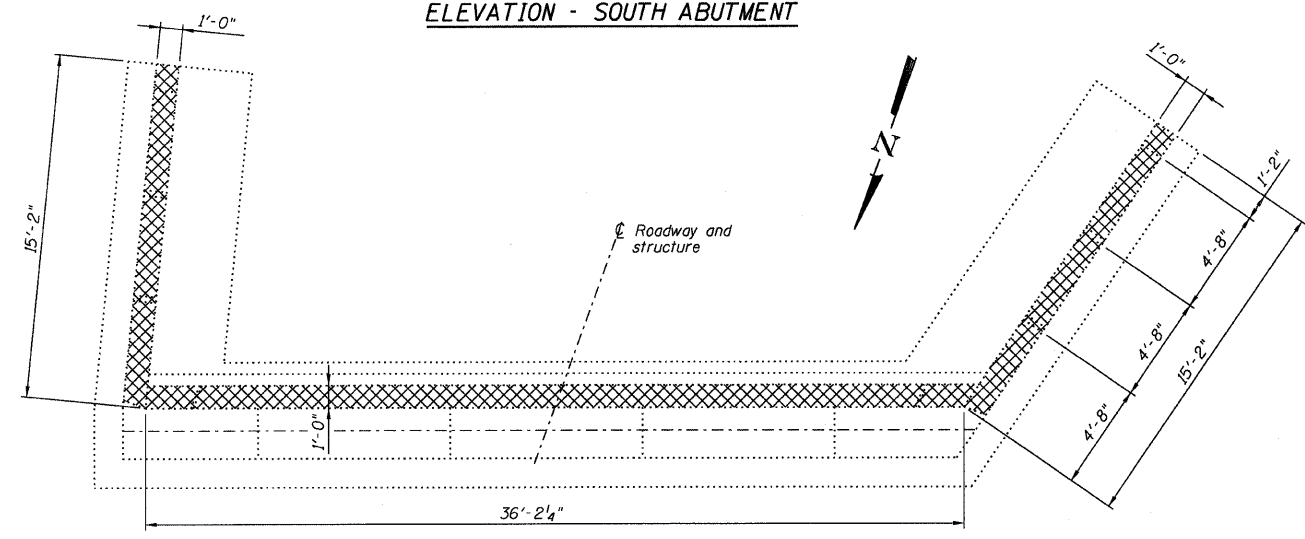
Sheet No. 24
of 30 Sheets

| ROUTE NO. | SECTION | COUNTY | TOTAL SHEETS | SHEET NO. |
|---------------------|----------|---------|--------------|-----------|
| FAS 1539 | | MACON | 57 | 27 |
| FED. ROAD DIST. NO. | ILLINOIS | PROJECT | | |
| | | | | |

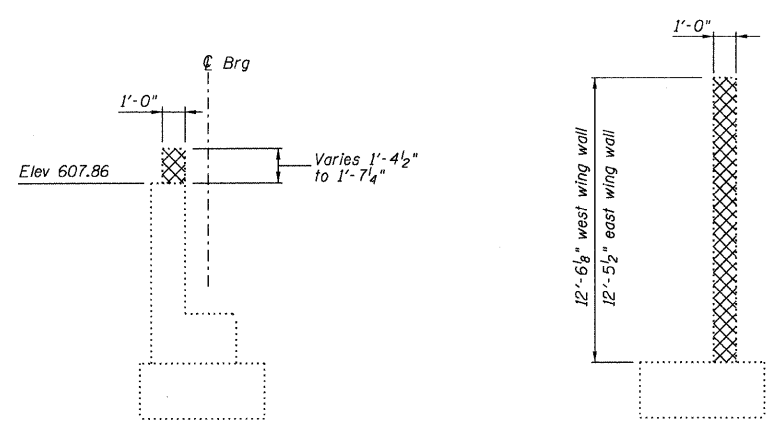
00-00155-00-BR



ELEVATION - SOUTH ABUTMENT



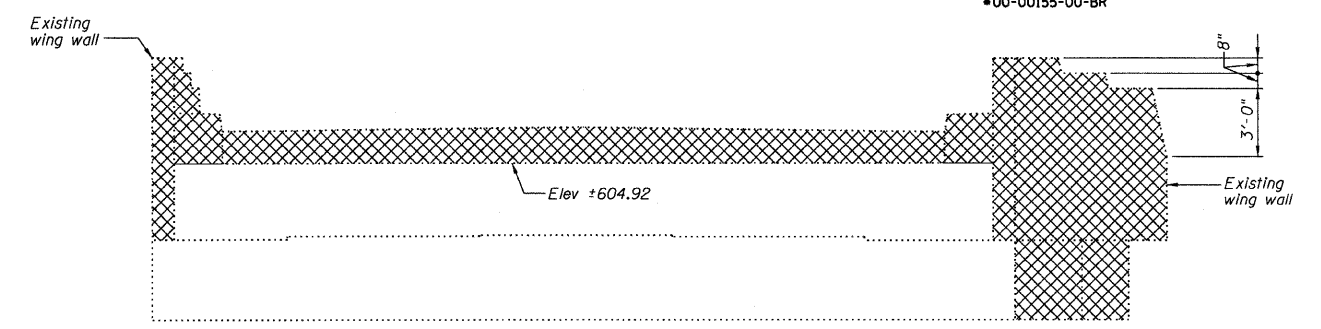
TOP VIEW - SOUTH ABUTMENT



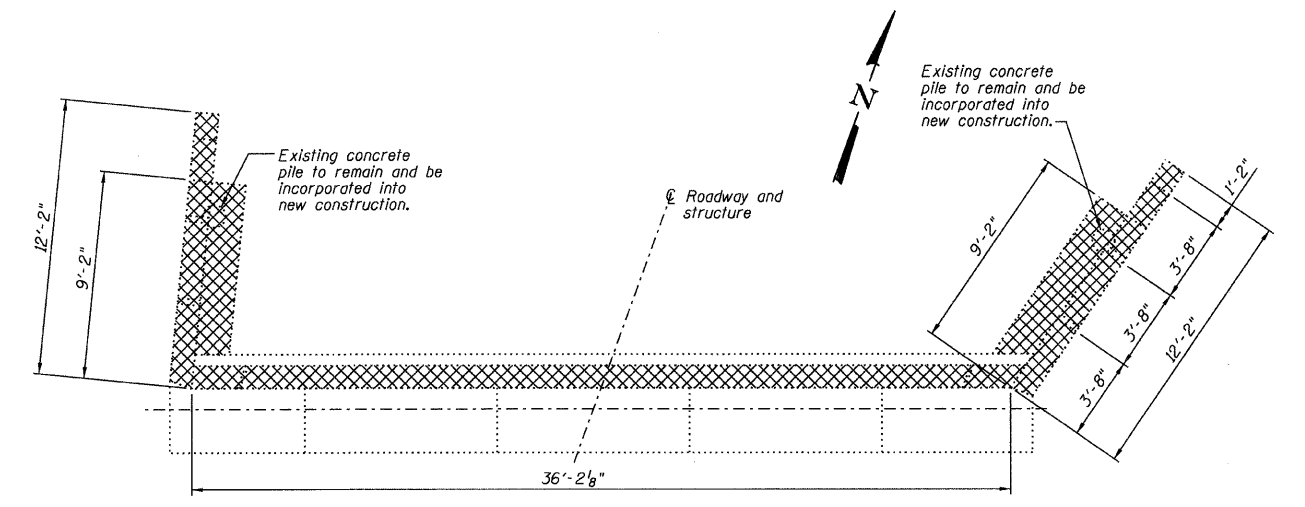
SECTION THRU EXISTING ABUTMENT

SECTION THRU EXISTING WING WALL

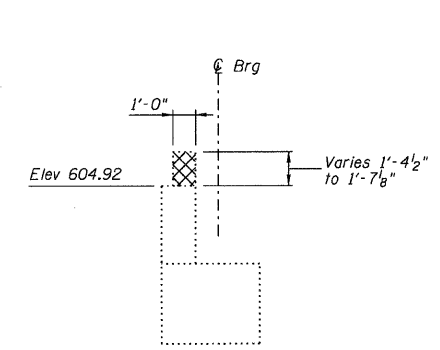
Notes:
Cross hatched area indicates "Concrete Removal".
See abutment details on Sheets 25 & 26 of 30.
Existing reinforcement extending into new construction shall be cleaned, straightened and incorporated into the new construction. Cost included with "Concrete Removal".
Existing reinforcement not extending into new construction shall be cut off flush and covered with a 2" layer of cement grout. Cost included with "Concrete Removal".



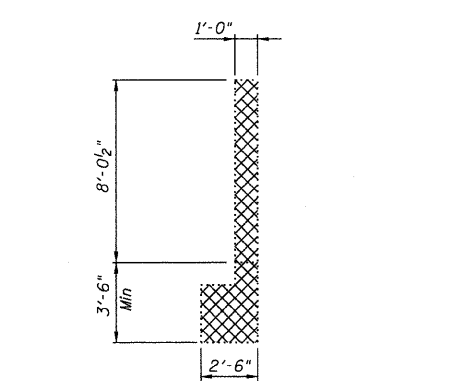
ELEVATION - NORTH ABUTMENT



TOP VIEW - NORTH ABUTMENT



SECTION THRU EXISTING ABUTMENT



SECTION THRU EXISTING WING WALL

Notes:
Cross hatched area indicates "Concrete Removal".
See abutment details on Sheets 27 & 28 of 30.
Existing reinforcement extending into new construction shall be cleaned, straightened and incorporated into the new construction. Cost included with "Concrete Removal".
Existing reinforcement not extending into new construction shall be cut off flush and covered with a 2" layer of cement grout. Cost included with "Concrete Removal".

WYCKLES ROAD OVER THE SANGAMON RIVER

ABUTMENT CONCRETE REMOVAL

| | | | |
|-----------|----------|------------------------|-----------------|
| REVISIONS | FAS 1539 | SECTION 00-00155-00-BR | DRAWN BY DATE |
| 1 | | SN 058-3030 | R KING 9/08 |
| 2 | | MACON COUNTY | CHECKED BY DATE |
| 3 | | | JMS 9/08 |
| 4 | | | BOOK NUMBER |
| 5 | | | PROJECT NO. |
| 6 | | | 4698 |
| 7 | | | SHEET NO. |
| 8 | | | |
| 9 | | | |
| 10 | | | |

HOMER L. CHASTAIN & ASSOCIATES, LLP
CONSULTING ENGINEERS
184-001977

DBCATUR CHICAGO
(312) 423-8644 (773) 714-0080

ROCKFORD
(815) 489-0060