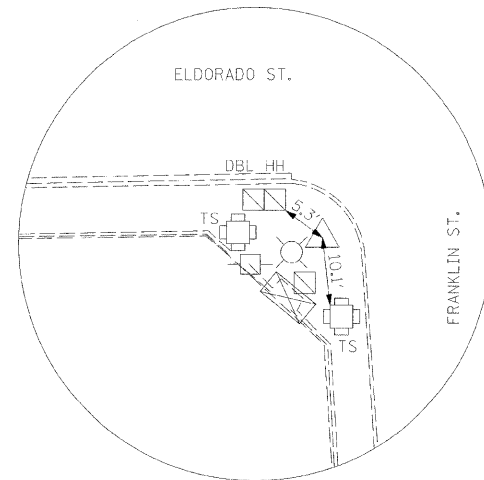
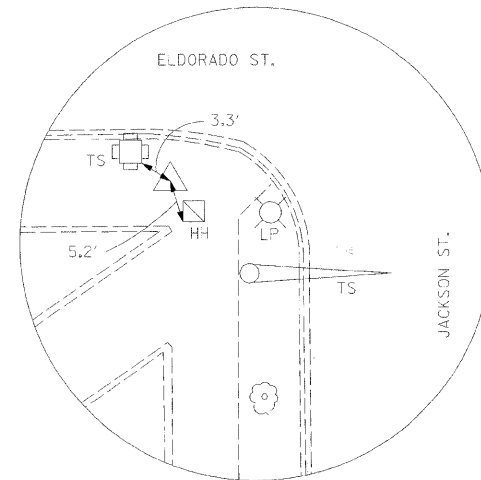


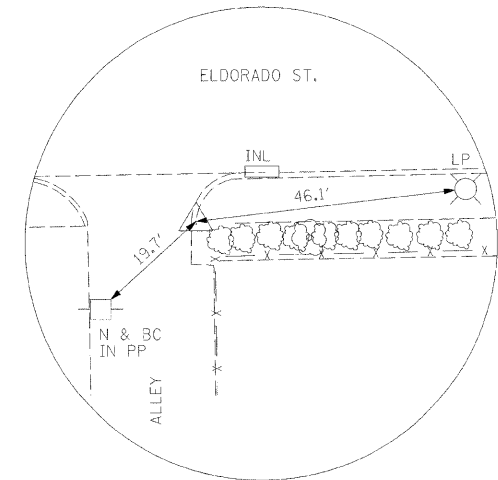
CONTROL POINT #2
PK NAIL IN SIDEWALK
ELEV. = 661.29



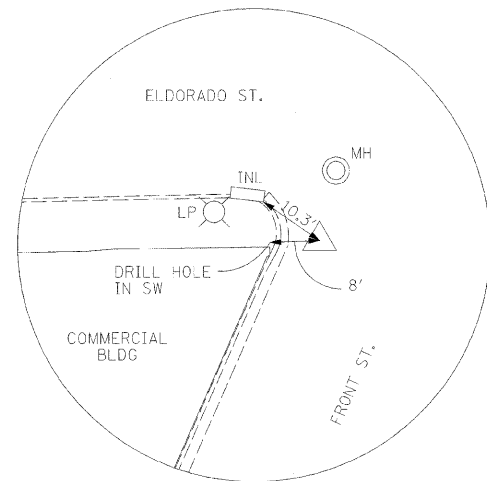
CONTROL POINT #6
PK NAIL IN SIDEWALK
ELEV. = 670.55



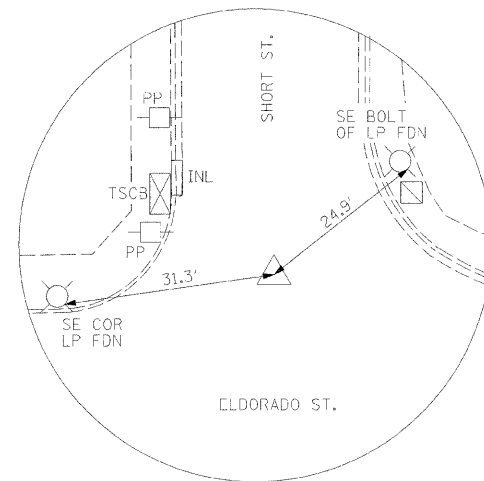
CONTROL POINT #7
PK NAIL IN SIDEWALK
ELEV. = 670.73



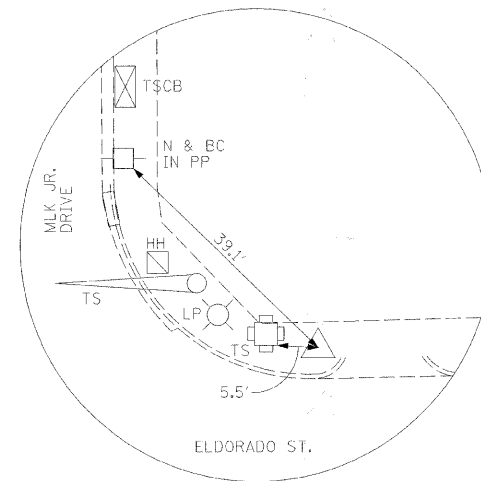
CONTROL POINT #10
PK NAIL IN SIDEWALK
ELEV. = 656.15



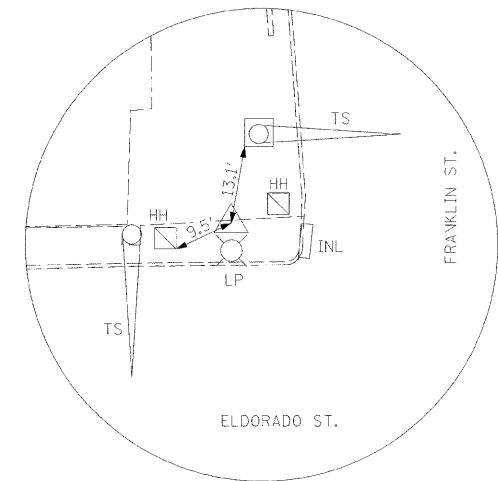
CONTROL POINT #12
PK NAIL IN FRONT ST.
ELEV. = 657.40



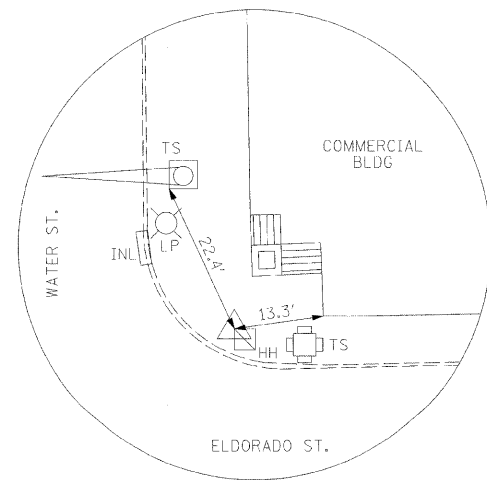
CONTROL POINT #14
PK NAIL IN SHORT ST.
ELEV. = 657.36



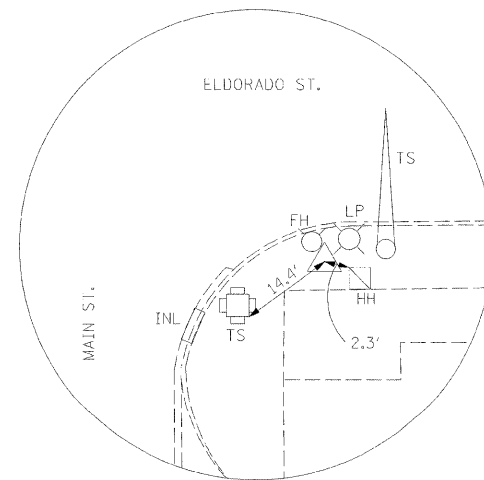
CONTROL POINT #15
PK NAIL IN SIDEWALK
ELEV. = 657.43



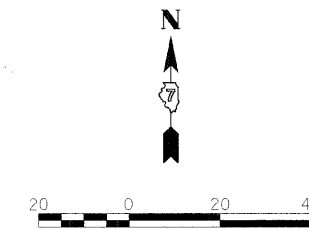
CONTROL POINT #17
PK NAIL IN SIDEWALK
ELEV. = 670.35



CONTROL POINT #18
PK NAIL IN SIDEWALK
ELEV. = 667.11



CONTROL POINT #21
PK NAIL IN SIDEWALK
ELEV. = 663.49



USER NAME =	DESIGNED - BKN	REVISED -
PLOT SCALE =	DRAWN - BKN/RLS/MEC/CGF	REVISED -
PLOT DATE =	CHECKED - JJM	REVISED -
	DATE -	REVISED -

STATE OF ILLINOIS
DEPARTMENT OF TRANSPORTATION

CONTROL POINT TIES

SHEET NO. 1 OF 1 SHEETS STA. TO STA.

F.A.P. RTE.	SECTION	CITY	TOTAL SHEETS	SHEET NO.
323	06-00625-00-SW	DECATUR	121	19
EL DORADO STREETScape PROJECT CONTRACT NO. 95574				
FED. ROAD DIST. NO. ILLINOIS FED. AID PROJECT: TE-00011351				