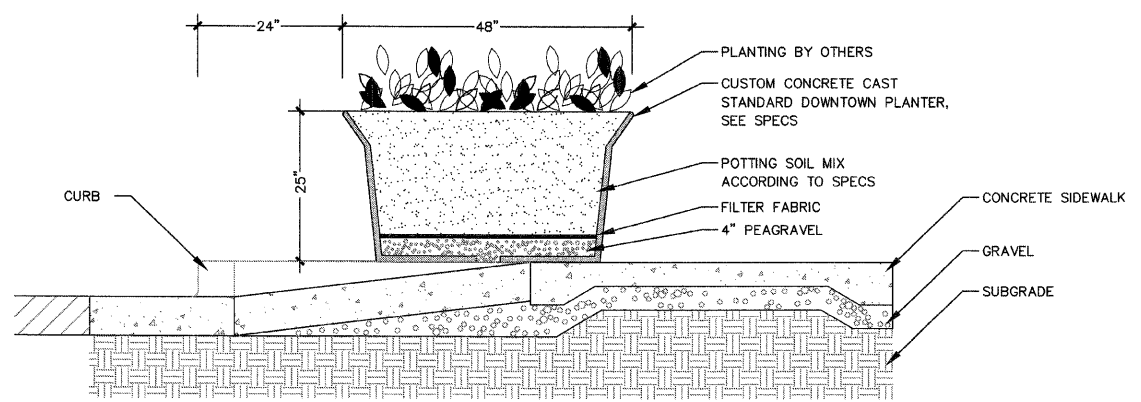
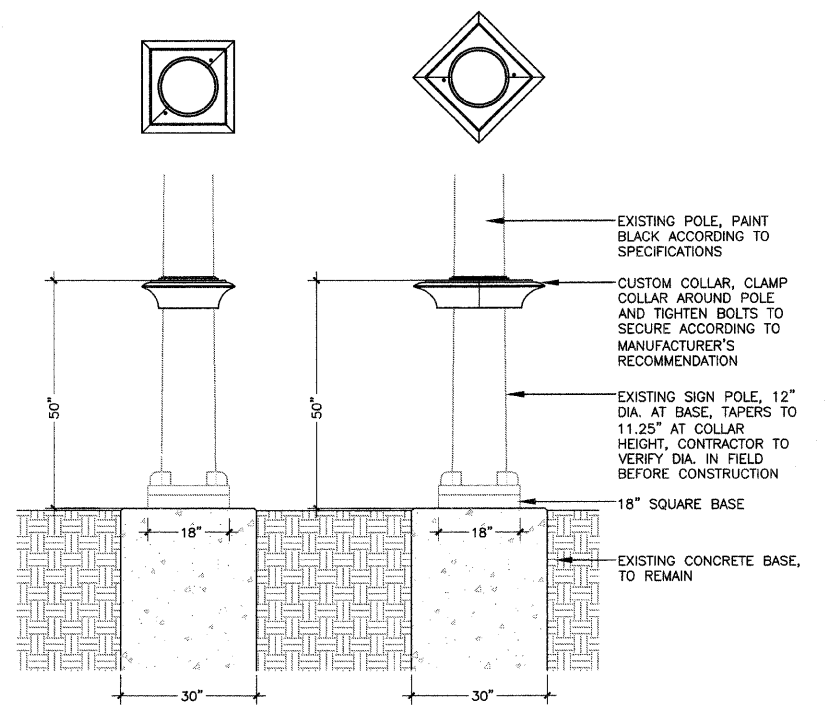


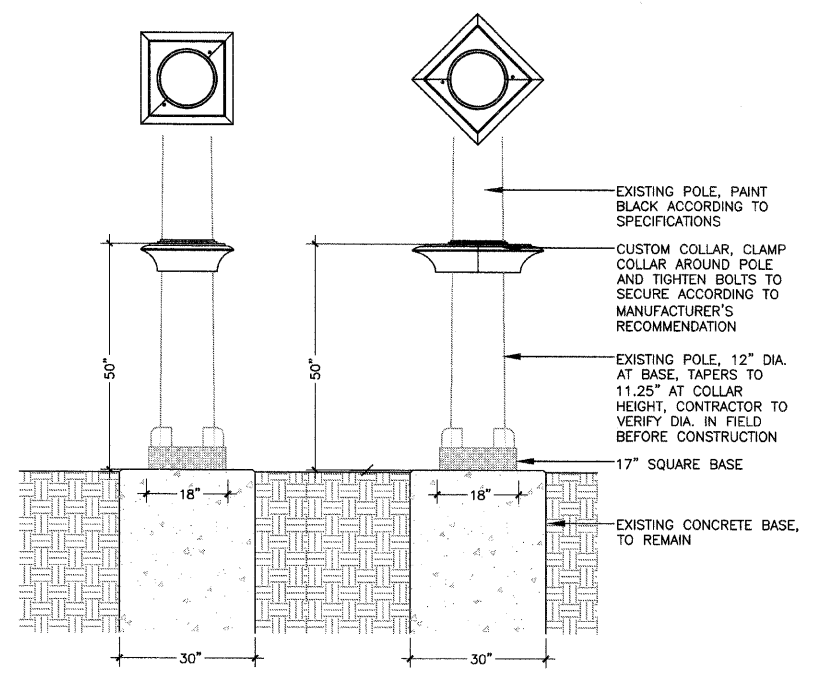
**92 A** FENCE DETAIL  
NOT TO SCALE



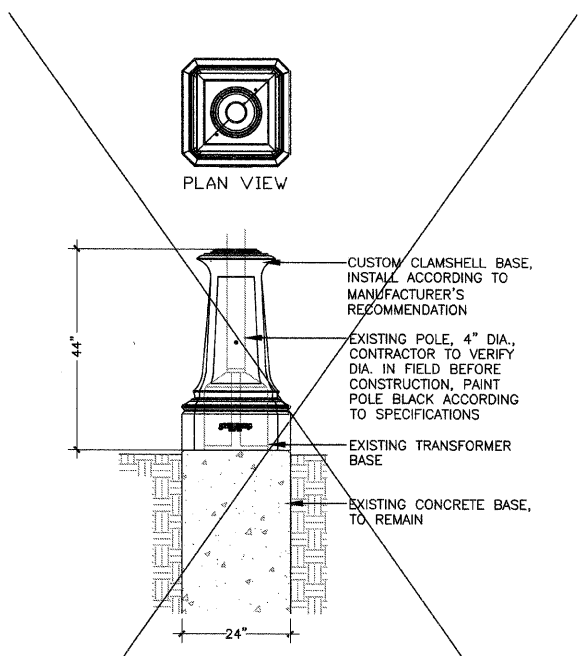
**92 B** CONCRETE PLANTER DETAIL  
NOT TO SCALE



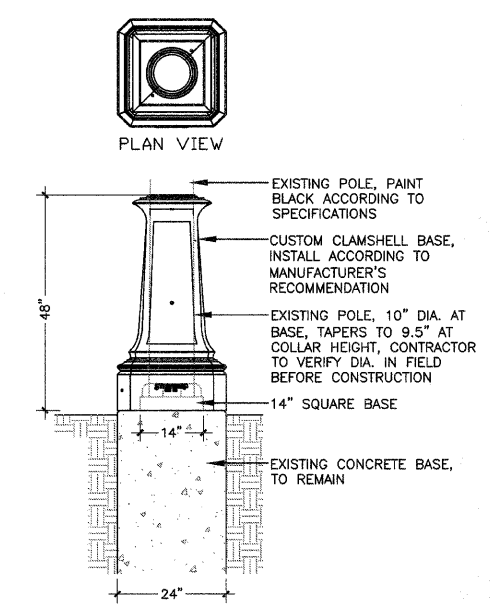
**92 C** DECORATIVE POLE COLLAR - LARGE  
EXISTING SIGN MAST POLE ENHANCEMENT  
NOT TO SCALE



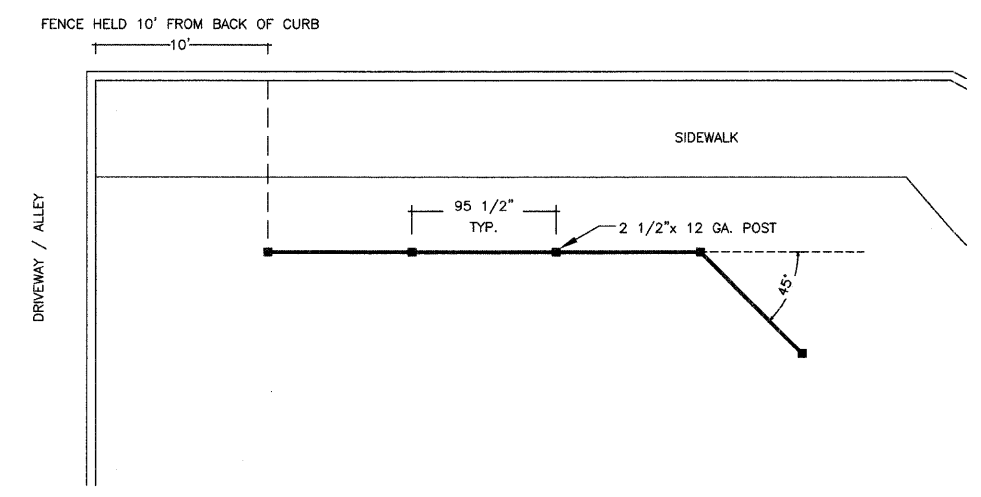
**92 D** DECORATIVE POLE COLLAR - LARGE  
EXISTING OVERHEAD TRAFFIC SIGNAL ENHANCEMENT  
NOT TO SCALE



**92 E** CLAMSHELL BASE-TRAFFIC SIGNAL  
NOT TO SCALE



**92 F** CLAMSHELL BASE - LIGHT FIXTURES  
NOT TO SCALE



**92 G** 45° ANGLE FENCE PLAN DETAIL  
NOT TO SCALE

CALL J.U.L.I.E.  
JOINT UTILITY LOCATING INFORMATION  
FOR EXCAVATORS  
BEFORE EXCAVATING  
1-800-892-0123

NOTE: SIDEWALKS, PAVERS, CURBS & GUTTERS FOR REFERENCE ONLY. SEE ENGINEERS DRAWINGS FOR DETAILED INFORMATION

Massie Massie & Associates  
LAND PLANNING AND LANDSCAPE ARCHITECTURE  
421 West Main Street, Decatur, IL 62522 217/424-0792  
www.massie-massie-associates.com

USER NAME =	DESIGNED — KLM	REVISED — 2/12/09
	DRAWN — MRG	REVISED —
PLOT SCALE =	CHECKED — KLM	REVISED —
PLOT DATE =	DATE — 1/15/09	REVISED —

STATE OF ILLINOIS  
DEPARTMENT OF TRANSPORTATION

SITE FEATURE DETAILS

SCALE: N/A SHEET 92 OF 94 SHEETS STA. TO STA.

F.A.P. RTE.	SECTION	CITY	TOTAL SHEETS	SHEET NO.
323	06-00625-00-SW	DECATUR	121	92
ELDORADO STREETScape PROJECT			CONTRACT NO. 95574	
FED. ROAD DIST. NO. — ILLINOIS FED. AID PROJECT: TE-0007(35)				