

FBI ROUTE	IDOT SECTION	COUNTY
9277	04-00031-00-PV	ST. CLAIR
FEDERAL AID PROJECT	ILLINOIS	
IDOT JOB NO.	C-98-309-06	
IDOT CONTRACT NO.	97327	

**THOUVENOT, WADE & MOERCHEN, INC.**  
ENGINEERS ♦ SURVEYORS ♦ PLANNERS



**CORPORATE OFFICE**  
4940 OLD COLLINSVILLE RD.  
SWANSEA, ILLINOIS 62226  
TEL (618) 624-4488  
FAX (618) 624-6688  
corp@twm-inc.com

**EDWARDSVILLE OFFICE**  
1015B CENTURY DRIVE  
EDWARDSVILLE, ILLINOIS 62025  
TEL (618) 656-4040  
FAX (618) 656-4343  
edwardsville@twm-inc.com

**ST. LOUIS OFFICE**  
1001 CRAIG ROAD, SUITE 260  
ST. LOUIS, MISSOURI 63146  
TEL (314) 236-5052  
FAX (314) 872-2194  
stlouis@twm-inc.com

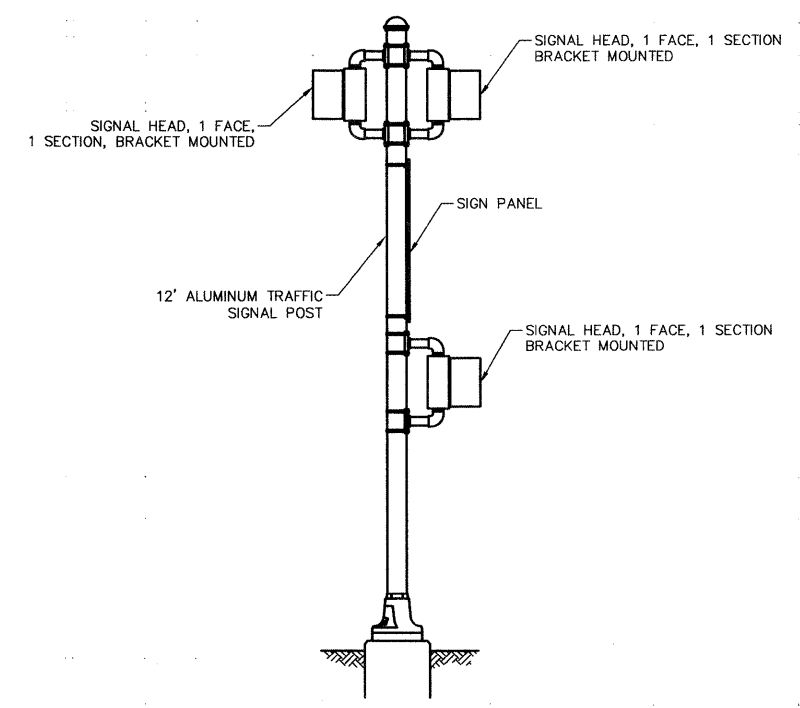
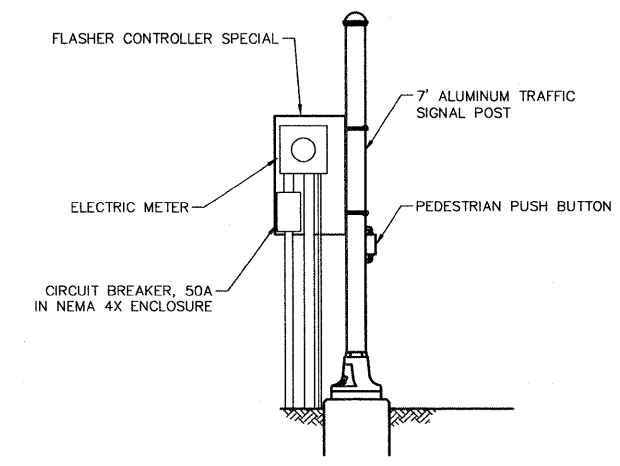
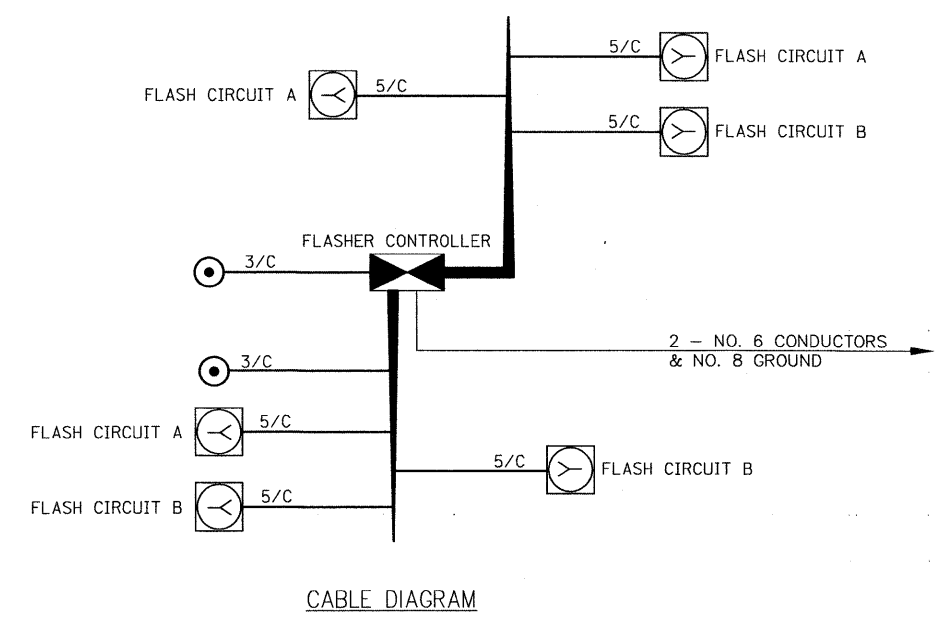
**WATERLOO OFFICE**  
113 SOUTH MAIN STREET  
WATERLOO, ILLINOIS 62298  
TEL (618) 939-5050  
FAX (618) 939-3938  
waterloo@twm-inc.com

PROFESSIONAL REGISTRATIONS	LICENSE NO.
ILLINOIS PROFESSIONAL DESIGN FIRM	184-001220
PROFESSIONAL ENGINEERING CORP.	62-035370
PROFESSIONAL STRUCTURAL ENGR. CORP.	81-005202
ILLINOIS PROF. LAND SURVEYING CORP.	046-000029
MISSOURI PROFESSIONAL ENGR. CORP.	NC 001528
MISSOURI LAND SURVEYING CORP.	NC 000346

SEAL

Signature: \_\_\_\_\_  
Signature Date: \_\_\_\_\_  
Expiration Date: \_\_\_\_\_

**STATEMENT OF RESPONSIBILITY**  
I hereby confirm that the document herein to be authenticated by my seal is restricted to this sheet, and I hereby disclaim any responsibility for all other drawings, specifications, estimates, reports or other documents or instruments relating to or intended to be utilized for any other part of the architectural, engineering or survey project.



**TITLE**  
FLASHING BEACONS  
ELEMENTARY SCHOOL CROSSWALK  
CABLE DIAGRAM AND DETAILS

**PROJECT**  
HUNTWOOD ROAD RECONSTRUCTION  
VILLAGE OF SWANSEA  
ST. CLAIR COUNTY

REV	DATE	DESCRIPTION
△		
△		
△		

DRAWN BY: DRB	SHEET
DESIGNED BY: DRB	<b>60</b>
CHECKED BY: SJK	OF 104 SHEETS
APPROVED BY: SJK	PROJECT DESCRIPTION
PROJECT NUMBER: T20-030356	Huntwood Road Reconstruction
<input checked="" type="checkbox"/> ISSUED FOR REVIEW	<input type="checkbox"/> ISSUED FOR BIDDING
<input type="checkbox"/> ISSUED FOR CONSTR.	<input type="checkbox"/> RECORD DRAWING