

GENERAL NOTES

- All dimensions are in feet except as noted. All elevations are in feet.
- Exposed edges shall have a 3/4" chamfer unless otherwise noted.
- Provide a light broom finish to the floor of the Precast Concrete Box Culvert and Precast Box Culvert End Sections. Cost included in cost of Box Culverts and End Sections.
- The Cast-in-Place toewall will not be paid for separately, but shall be included in the cost for "Precast Box Culvert End Sections". Approximately 2.0 cu. yd. of concrete will be required.
- This box culvert has an approximate fill height of 2 feet 3 inches. The Precast Concrete Box Culvert shall be designed in accordance with AASHTO M259 except that the aggregate shall conform to the requirements of Article 1003.02 and 1004.02 of the Standard Specifications with the exception of gradation.
- The contractor shall submit shop drawings and calculations for the Precast Concrete Box Culvert and Precast Box Culvert End Sections. Shop drawings and calculations shall be sealed by a Structural Engineer registered in the State of Illinois.
- Structure Excavation (Special), Porous Granular Embankment (Special), and Trench Backfill as required by specifications shall be included in the contract unit price of the Box Culverts and End Sections.
- Should unstable soils be encountered upon Structure Excavation, the ENGINEER shall determine the necessary depth of excavation required to reach stable soils.
- The box culvert shall have openings cast in the walls to allow adjacent storm sewer to flow into it. The openings shall be large enough to allow the reinforced concrete storm sewer pipe to be installed. The openings shall be centered vertically in the wall and located horizontally as shown in plan view.

FAU ROUTE	IDOT SECTION	COUNTY
9277	04-00031-00-PV	ST. CLAIR
FEDERAL AID PROJECT	ILLINOIS	
IDOT JOB NO.	C-98-309-06	
IDOT CONTRACT NO.	97327	

THOUVENOT, WADE & MOERCHEN, INC.
ENGINEERS ♦ SURVEYORS ♦ PLANNERS

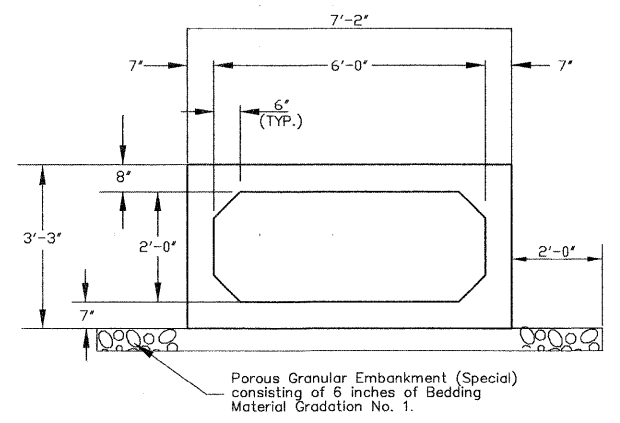


- CORPORATE OFFICE**
4940 OLD COLLINSVILLE RD.
SWANSEA, ILLINOIS 62226
TEL (618) 624-4488
FAX (618) 624-6688
corp@twm-inc.com
- EDWARDSVILLE OFFICE**
1015B CENTURY DRIVE
EDWARDSVILLE, ILLINOIS 62025
TEL (618) 656-4040
FAX (618) 656-4343
edwardsville@twm-inc.com
- ST. LOUIS OFFICE**
1001 CRAIG ROAD, SUITE 260
ST. LOUIS, MISSOURI 63146
TEL (314) 236-5052
FAX (314) 872-2194
stlouis@twm-inc.com
- WATERLOO OFFICE**
113 SOUTH MAIN STREET
WATERLOO, ILLINOIS 62298
TEL (618) 939-5050
FAX (618) 939-3938
waterloo@twm-inc.com

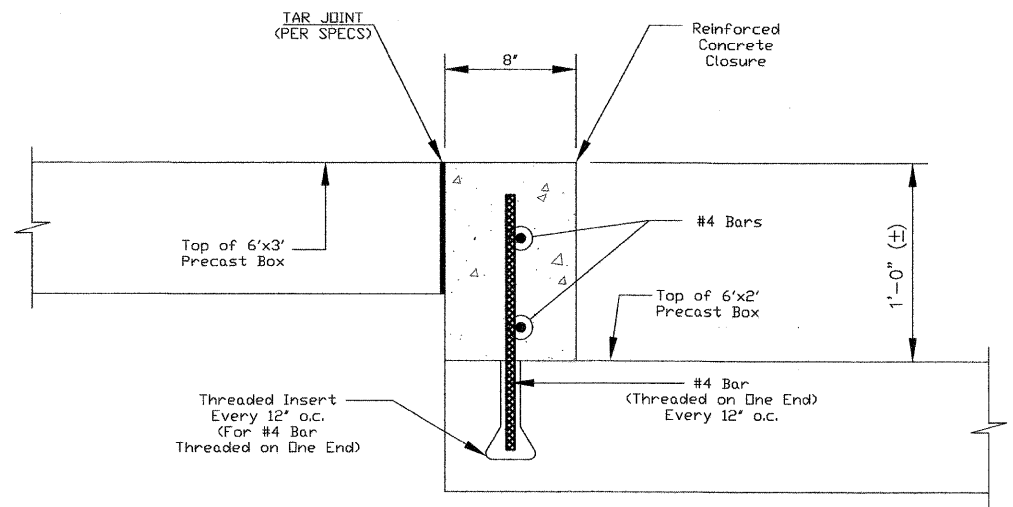
PROFESSIONAL REGISTRATIONS	LICENSE NO.
ILLINOIS PROFESSIONAL DESIGN FIRM	184-00120
PROFESSIONAL ENGINEERING CORP.	62-035370
PROFESSIONAL STRUCTURAL ENGR. CORP.	81-005202
ILLINOIS PROF. LAND SURVEYING CORP.	048-000029
MISSOURI PROFESSIONAL ENGR. CORP.	NC 001528
MISSOURI LAND SURVEYING CORP.	NC 000346

Signature: _____
Signature Date: _____
Expiration Date: _____

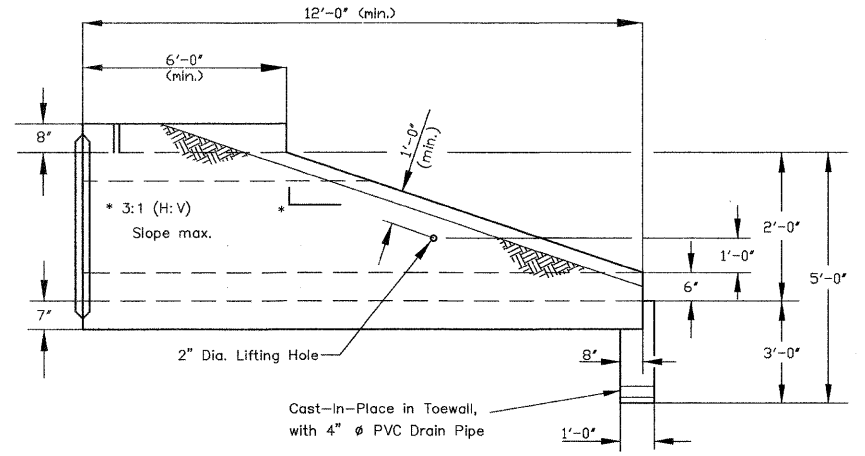
STATEMENT OF RESPONSIBILITY
I hereby confirm that the document herein to be authenticated by my seal is restricted to this sheet, and I hereby disclaim any responsibility for all other drawings, specifications, estimates, reports or other documents or instruments relating to or intended to be utilized for any other part of the architectural, engineering or survey project.



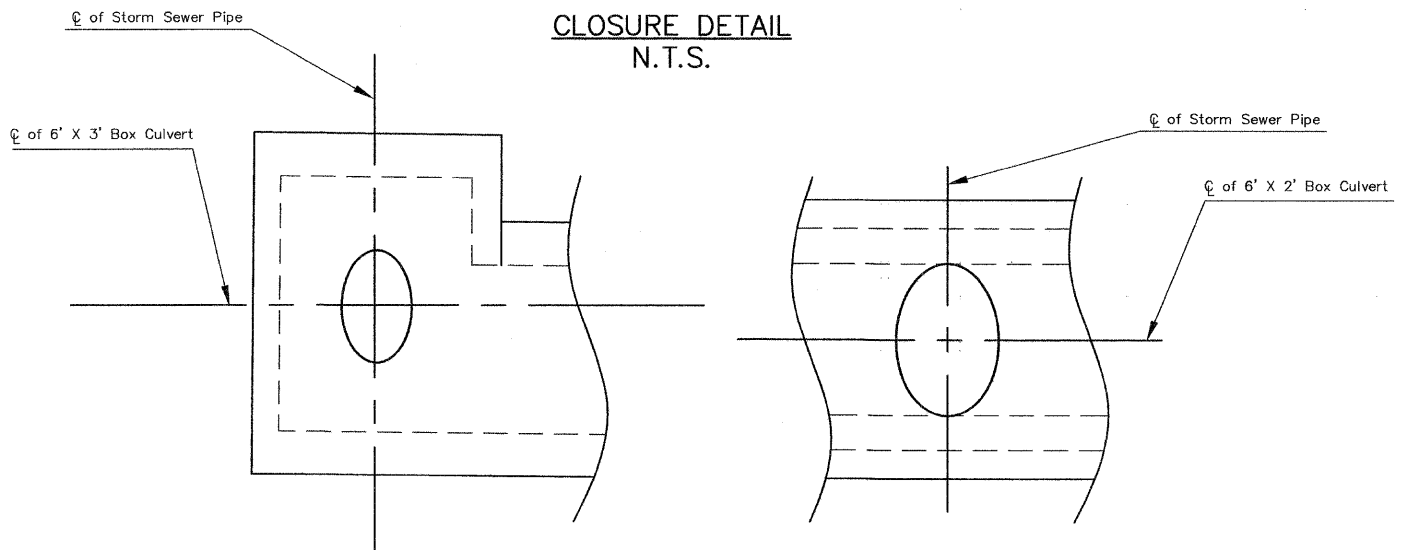
TYPICAL SECTION THRU BARREL



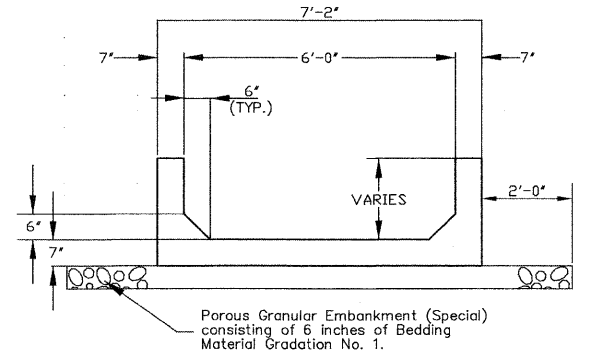
CLOSURE DETAIL
N.T.S.



END SECTION ELEVATION



OPENING DETAILS



SECTION THRU END SECTION

BOX CULVERT DETAILS

PROJECT:
HUNTWOOD ROAD RECONSTRUCTION
VILLAGE OF SWANSEA
ST. CLAIR COUNTY

REV.	DATE	DESCRIPTION
△		
△		
△		

DRAWN BY: JWS	SHEET
DESIGNED BY: JWS	62
CHECKED BY: SJK	OF 104 SHEETS
APPROVED BY: SJK	PROJECT DESCRIPTION
PROJECT NUMBER: T20-030356	Huntwood Road Reconstruction
<input checked="" type="checkbox"/> ISSUED FOR REVIEW	<input type="checkbox"/> ISSUED FOR BIDDING
<input type="checkbox"/> ISSUED FOR CONSTR.	<input type="checkbox"/> RECORD DRAWING