

FAU ROUTE	IDOT SECTION	COUNTY
9177	*	ST. CLAIR
FEDERAL AID PROJECT	ILLINOIS	
IDOT JOB NO.	C-98-309-09	
IDOT CONTRACT NO.	97362	
* 05-00007-03-PV; 06-00007-05-PV		

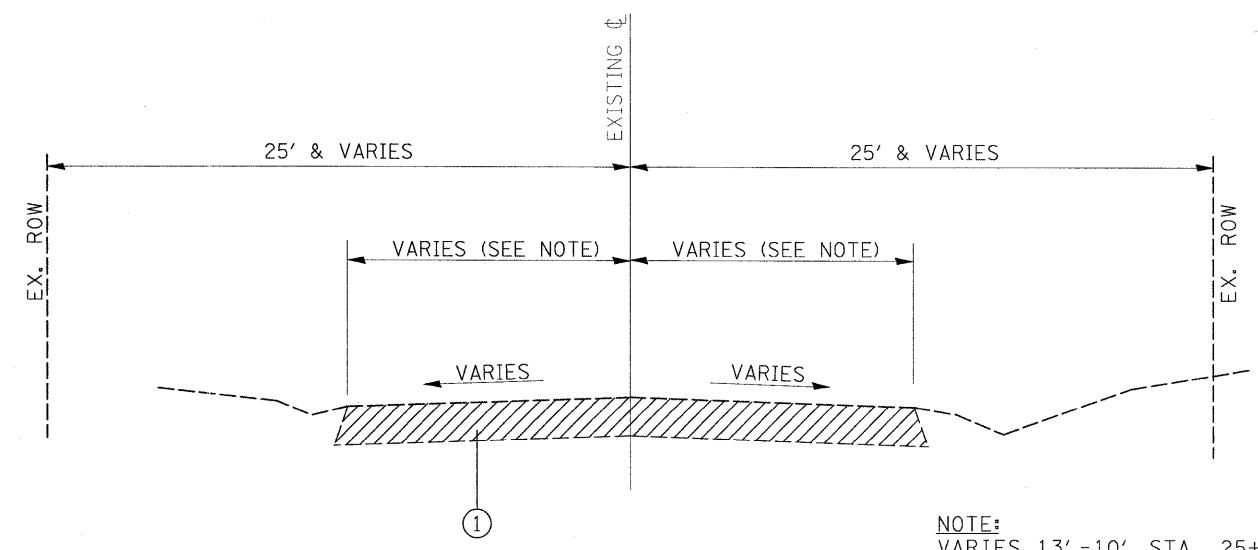
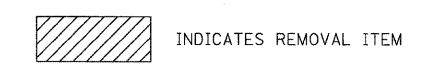
THOUVENOT, WADE & MOERCHEN, INC.
ENGINEERS ♦ SURVEYORS ♦ PLANNERS



- ✗ **CORPORATE OFFICE**
4940 OLD COLLINSVILLE RD.
SWANSEA, ILLINOIS 62226
TEL (618) 624-4488
FAX (618) 624-6688
corp@twm-inc.com
- CARBONDALE OFFICE**
206 WEST COLLEGE ST., SUITE 2
CARBONDALE, ILLINOIS 62901
TEL (618) 549-8844
FAX (618) 549-8450
info@twm-inc.com
- EDWARDSVILLE OFFICE**
1015B CENTURY DRIVE
EDWARDSVILLE, ILLINOIS 62025
TEL (618) 656-4040
FAX (618) 656-4343
info@twm-inc.com
- ST. CHARLES OFFICE**
400 NORTH 5th ST., SUITE 101
ST. CHARLES, MISSOURI 63301
TEL (636) 724-8300
FAX (636) 724-8304
info@twm-inc.com
- WATERLOO OFFICE**
113 SOUTH MAIN STREET
WATERLOO, ILLINOIS 62298
TEL (618) 939-5050
FAX (618) 939-3938
info@twm-inc.com

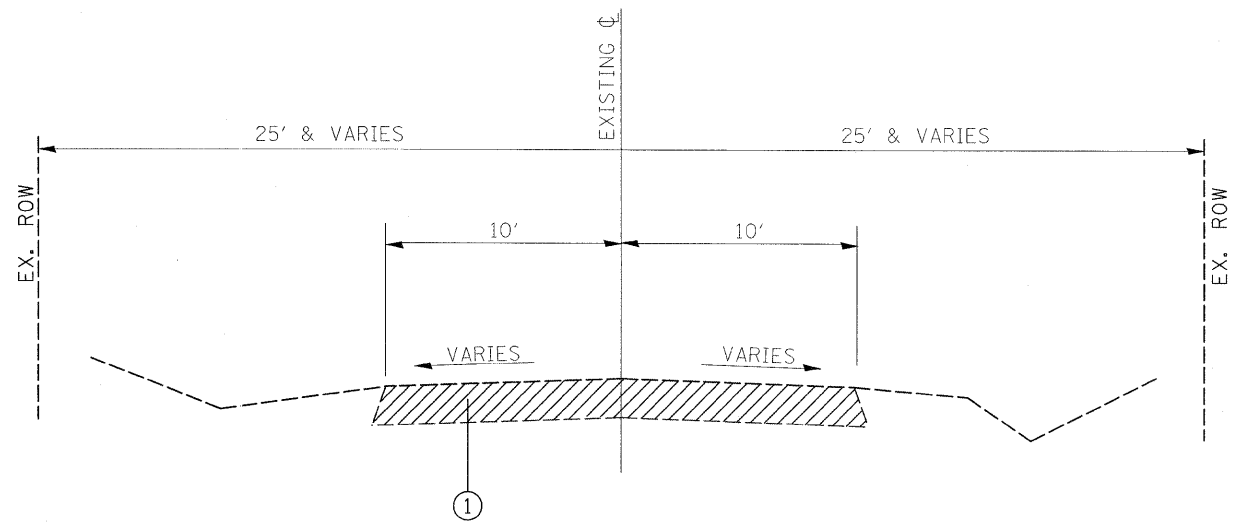
LEGEND

- ① EXISTING OIL & CHIP ROADWAY - VARIES - TO BE REMOVED (INCLUDED IN THE COST OF EARTHWORK)
- ② RESERVED
- ③ RESERVED
- ④ PROPOSED HOT MIX ASPHALT SURFACE COURSE, MIX "D", N70 - 2"
- ⑤ PROPOSED HOT MIX ASPHALT BINDER COURSE, IL-19.0, N70 - 7.75"
- ⑥ PROPOSED PROCESSING MODIFIED SOIL - 12"
- ⑦ PROPOSED COMBINATION CURB & GUTTER, TYPE B-6.24
- ⑧ RESERVED
- ⑨ RESERVED
- ⑩ FUTURE 5" PORTLAND CEMENT CONCRETE SIDEWALK



NOTE:
VARIES 13' -10' STA. 25+53.74(BK) TO STA. 26+00.00
VARIES 10' -13' STA. 34+50.00 TO STA. 35+00.00
VARIES 13' -10' STA. 44+03.40 TO STA. 44+53.40

EXISTING TYPICAL SECTION SEIBERT ROAD
STA. 25+53.74(BK) TO STA. 26+00.00
STA. 34+50.00 TO STA. 35+00.00
STA. 44+03.40 TO STA. 44+53.40



EXISTING TYPICAL SECTION SEIBERT ROAD
STA. 26+00.00 TO STA. 34+50.00
STA. 44+53.40 TO STA. 58+13.25

EXISTING TYPICAL SECTION JOHNSON ROAD
STA. 0+13.00 TO STA. 1+73.96

PLOT DATE = 2/19/2009
 FILE NAME = P:\010479\DOT PHASE V - TWM PHASE III\phaseIII\010479b-TYPS.PH3.dgn
 PLOT SCALE = 20.00000 / 1 IN.
 USER NAME = jstain

PROFESSIONAL REGISTRATIONS	LICENSE NO.
ILLINOIS PROFESSIONAL DESIGN FIRM	184-001220
PROFESSIONAL ENGINEERING CORP.	62-035370
PROFESSIONAL STRUCTURAL ENGR. CORP.	81-005202
ILLINOIS PROF. LAND SURVEYING CORP.	048-000029
MISSOURI PROFESSIONAL ENGR. CORP.	NC 001528
MISSOURI LAND SURVEYING CORP.	NC 000346

TITLE	EXISTING TYPICAL SECTIONS
	PROJECT: SEIBERT ROAD RECONSTRUCTION PH. III + V VILLAGE OF SHILOH ST. CLAIR COUNTY, ILLINOIS

REV.	DATE	DESCRIPTION
△		
△		
△		

DRAWN BY: JWS	SHEET
DESIGNED BY: JWS	7
CHECKED BY: SJK	OF 79 SHEETS
APPROVED BY: SJK	PROJECT DESCRIPTION
PROJECT NUMBER: 20-010479	SEIBERT ROAD RECONSTRUCTION
<input checked="" type="checkbox"/> ISSUED FOR REVIEW	<input type="checkbox"/> ISSUED FOR BIDDING
<input type="checkbox"/> ISSUED FOR CONSTR.	<input type="checkbox"/> RECORD DRAWING