

FAU ROUTE	IDOT SECTION	COUNTY
9177	*	ST. CLAIR
FEDERAL AID PROJECT		ILLINOIS
IDOT JOB NO.	C-98-309-09	
IDOT CONTRACT NO.	97362	
* 05-00007-03-PV; 06-00007-05-PV		

**THOUVENOT, WADE & MOERCHEN, INC.**  
ENGINEERS ♦ SURVEYORS ♦ PLANNERS

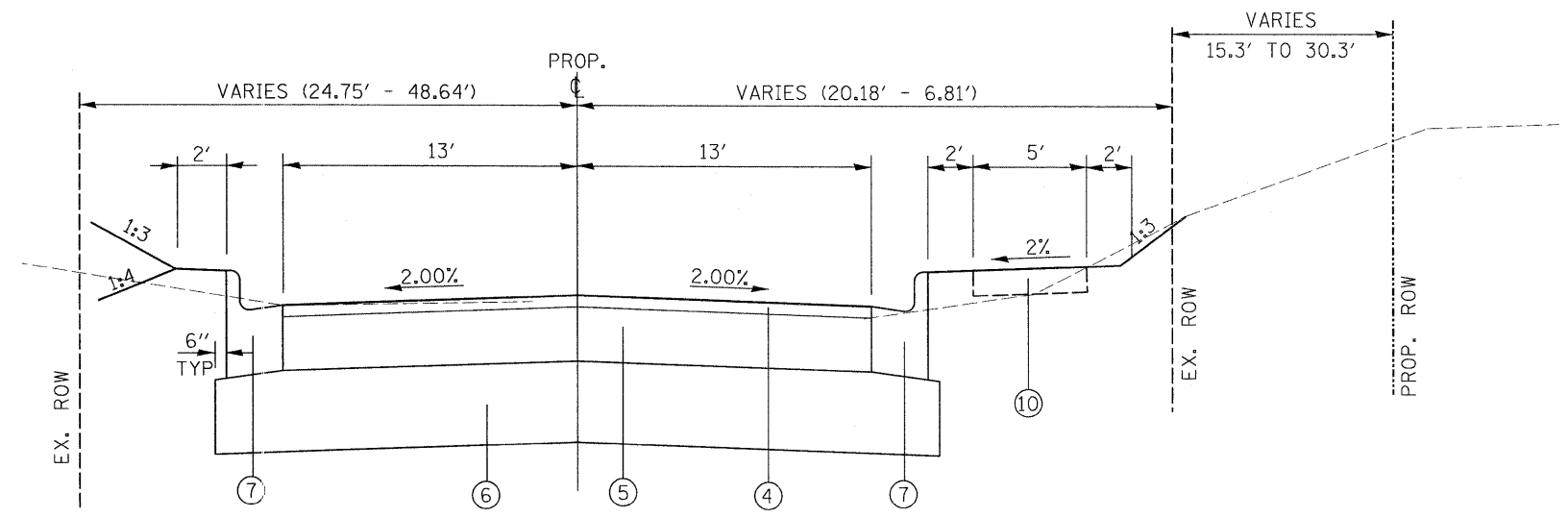


- ✗ **CORPORATE OFFICE**  
4940 OLD COLLINSVILLE RD.  
SWANSEA, ILLINOIS 62226  
TEL (618) 624-4488  
FAX (618) 624-6688  
corp@twm-inc.com
- ☐ **CARBONDALE OFFICE**  
206 WEST COLLEGE ST., SUITE 2  
CARBONDALE, ILLINOIS 62901  
TEL (618) 549-8844  
FAX (618) 549-8450  
info@twm-inc.com
- ☐ **EDWARDSVILLE OFFICE**  
1015B CENTURY DRIVE  
EDWARDSVILLE, ILLINOIS 62025  
TEL (618) 656-4040  
FAX (618) 656-4343  
info@twm-inc.com
- ☐ **ST. CHARLES OFFICE**  
400 NORTH 5th ST., SUITE 101  
ST. CHARLES, MISSOURI 63301  
TEL (636) 724-8300  
FAX (636) 724-8304  
info@twm-inc.com
- ☐ **WATERLOO OFFICE**  
113 SOUTH MAIN STREET  
WATERLOO, ILLINOIS 62298  
TEL (618) 939-5050  
FAX (618) 939-3938  
info@twm-inc.com

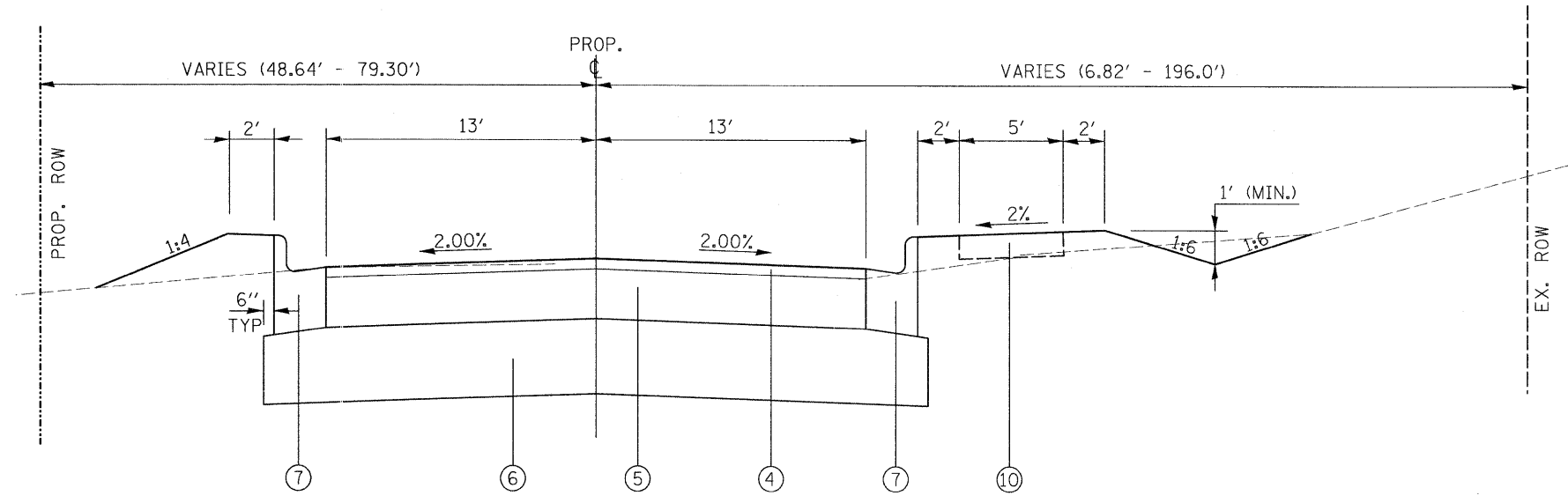
**LEGEND**

- ① EXISTING OIL & CHIP ROADWAY - VARIES - TO BE REMOVED (INCLUDED IN THE COST OF EARTHWORK)
- ② RESERVED
- ③ RESERVED
- ④ PROPOSED HOT MIX ASPHALT SURFACE COURSE, MIX "D", N70 - 2"
- ⑤ PROPOSED HOT MIX ASPHALT BINDER COURSE, IL-19.0, N70 - 7.75"
- ⑥ PROPOSED PROCESSING MODIFIED SOIL - 12"
- ⑦ PROPOSED COMBINATION CURB & GUTTER, TYPE B-6.24
- ⑧ RESERVED
- ⑨ RESERVED
- ⑩ FUTURE 5" PORTLAND CEMENT CONCRETE SIDEWALK

INDICATES REMOVAL ITEM



**PROPOSED TYPICAL SECTION SEIBERT ROAD**  
STA. 25+53.74(BK) TO STA. 26+71.91  
STA. EQUATION: STA. 25+53.74(BK) = STA. 25+15.53(AH)



**PROPOSED TYPICAL SECTION SEIBERT ROAD**  
STA. 26+71.91 TO STA. 32+66.00  
STA. 33+50.00 TO STA. 35+00.00

PLOT DATE = 2/19/2009  
 FILE NAME = P:\0104799\10104799\IDOT PHASE V - TMM PHASE III\phaseIII\0104799-TYPS-PH3.dgn  
 PLOT SCALE = 28.0000' / 1" IN.  
 USER NAME = jstern

PROFESSIONAL REGISTRATIONS	LICENSE NO.
ILLINOIS PROFESSIONAL DESIGN FIRM	184-001220
PROFESSIONAL ENGINEERING CORP.	62-035370
PROFESSIONAL STRUCTURAL ENGR. CORP.	81-055202
ILLINOIS PROF. LAND SURVEYING CORP.	048-000029
MISSOURI PROFESSIONAL ENGR. CORP.	NC 001528
MISSOURI LAND SURVEYING CORP.	NC 000346

**PROPOSED TYPICAL SECTIONS**

**SEIBERT ROAD RECONSTRUCTION - PHASE V**  
VILLAGE OF SHILOH  
ST. CLAIR COUNTY, ILLINOIS

REV.	DATE	DESCRIPTION
△		
△		
△		

DRAWN BY: JWS	SHEET
DESIGNED BY: JWS	<b>8</b>
CHECKED BY: SJK	OF 79 SHEETS
APPROVED BY: SJK	PROJECT DESCRIPTION
PROJECT NUMBER: 20-010479	SEIBERT ROAD RECONSTRUCTION
<input checked="" type="checkbox"/> ISSUED FOR REVIEW	<input type="checkbox"/> ISSUED FOR BIDDING
<input type="checkbox"/> ISSUED FOR CONSTR.	<input type="checkbox"/> RECORD DRAWING