

FAU ROUTE	IDOT SECTION	COUNTY
9177	*	ST. CLAIR
FEDERAL AID PROJECT	ILLINOIS	
IDOT JOB NO.	C-98-309-09	
IDOT CONTRACT NO.	97362	

\* 05-00007-03-PV; 06-00007-05-PV

**THOUVENOT, WADE & MOERCHEN, INC.**  
ENGINEERS • SURVEYORS • PLANNERS

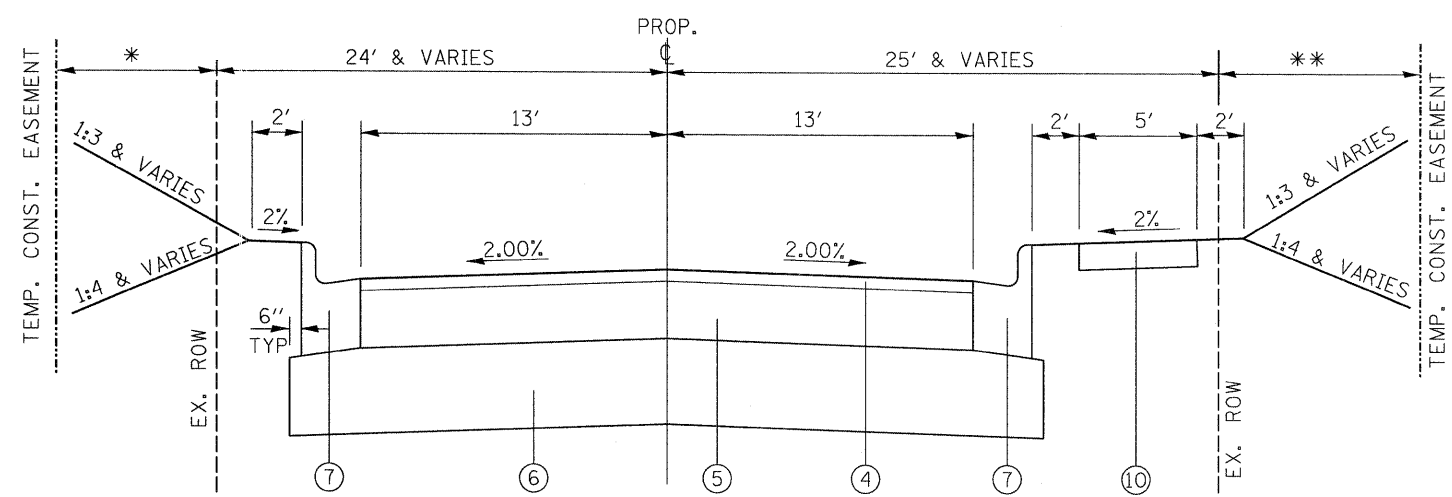


- CORPORATE OFFICE**  
4940 OLD COLLINGSVILLE RD.  
SWANSEA, ILLINOIS 62226  
TEL (618) 624-4488  
FAX (618) 624-6688  
corp@twm-inc.com
- CARBONDALE OFFICE**  
206 WEST COLLEGE ST., SUITE 2  
CARBONDALE, ILLINOIS 62901  
TEL (618) 549-8844  
FAX (618) 549-8450  
info@twm-inc.com
- EDWARDSVILLE OFFICE**  
1015B CENTURY DRIVE  
EDWARDSVILLE, ILLINOIS 62025  
TEL (618) 656-4040  
FAX (618) 656-4343  
info@twm-inc.com
- ST. CHARLES OFFICE**  
400 NORTH 5th ST., SUITE 101  
ST. CHARLES, MISSOURI 63301  
TEL (636) 724-8300  
FAX (636) 724-8304  
info@twm-inc.com
- WATERLOO OFFICE**  
113 SOUTH MAIN STREET  
WATERLOO, ILLINOIS 62298  
TEL (618) 939-5050  
FAX (618) 939-3938  
info@twm-inc.com

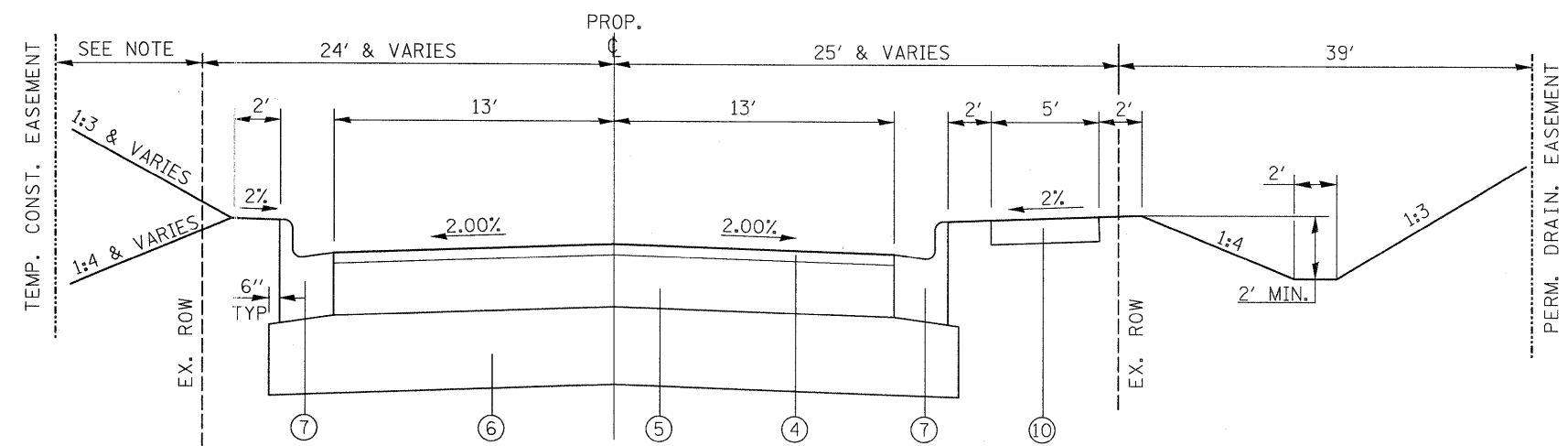
**LEGEND**

- ① EXISTING OIL & CHIP ROADWAY, VARIES - TO BE REMOVED (INCLUDED IN THE THE COST OF EARTHWORK)
- ② RESERVED
- ③ RESERVED
- ④ PROPOSED HOT MIX ASPHALT SURFACE COURSE, MIX "D", N70 - 2"
- ⑤ PROPOSED HOT MIX ASPHALT BINDER COURSE, IL-19.0, N70 - 7.75"
- ⑥ PROPOSED PROCESSING MODIFIED SOIL - 12"
- ⑦ PROPOSED COMBINATION CONCRETE CURB & GUTTER, TYPE B-6.24
- ⑧ RESERVED
- ⑨ RESERVED
- ⑩ FUTURE 5" PORTLAND CEMENT CONCRETE SIDEWALK

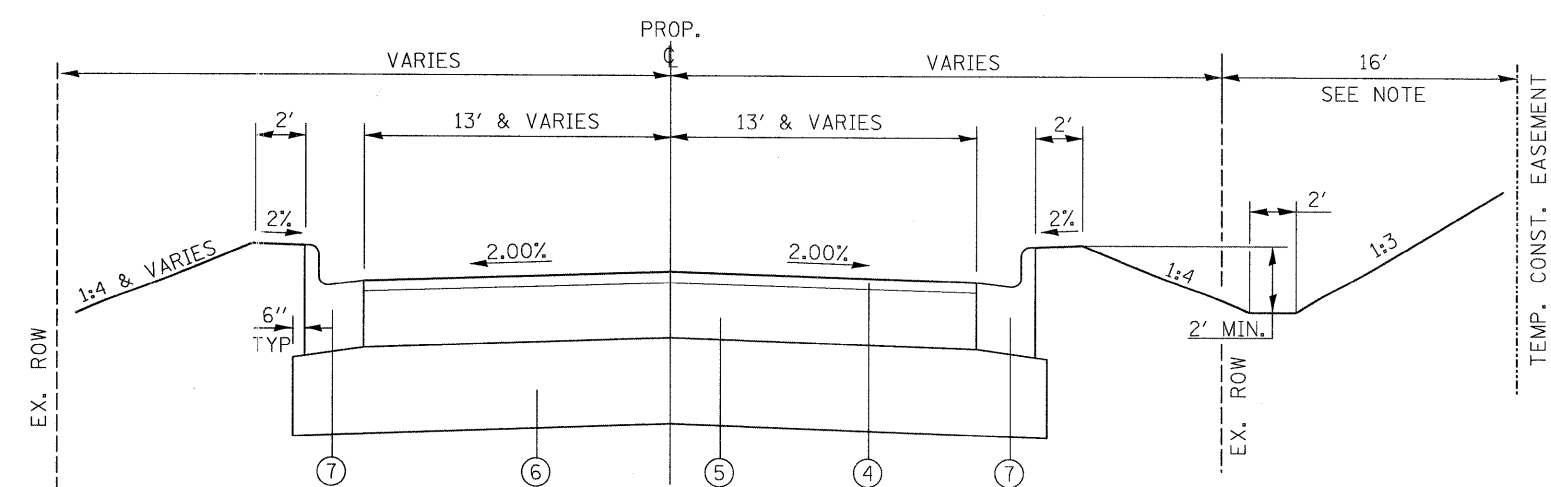
INDICATES REMOVAL ITEM



**PROPOSED TYPICAL SECTION SEIBERT ROAD**  
STA. 44+03.40 TO STA. 49+85.00  
STA. 54+07.94 TO STA. 58+13.25  
\* 7' T.C.E. FROM STA. 47+85.24 TO STA. 49+85.00  
\*\* 17' T.C.E. FROM STA. 44+03.40 TO STA. 49+85.00



**PROPOSED TYPICAL SECTION SEIBERT ROAD**  
STA. 49+85.00 TO STA. 54+07.94  
**NOTE:**  
7' FROM STA. 49+85.00 TO STA. 50+26.00  
15' FROM STA. 50+26.00 TO STA. 53+88.00



**PROPOSED TYPICAL SECTION JOHNSON ROAD**  
STA. 0+13.00 TO STA. 1+73.96  
**NOTE:**  
T.C.E. STA. 1+49.69 TO STA. 1+71.66

PLOT DATE = 2/19/2009  
FILE NAME = F:\0104798\dgn\IDOT PHASE III - TWM PHASE V\phase v\10104798-TYFS-PHS.dgn  
PLOT SCALE = 20.0000' / 1" IN.  
USER NAME = jstern

PROFESSIONAL REGISTRATIONS	LICENSE NO.
ILLINOIS PROFESSIONAL DESIGN FIRM	184-001220
PROFESSIONAL ENGINEERING CORP.	62-035370
PROFESSIONAL STRUCTURAL ENGR. CORP.	81-005202
ILLINOIS PROF. LAND SURVEYING CORP.	048-000029
MISSOURI PROFESSIONAL ENGR. CORP.	NC 001528
MISSOURI LAND SURVEYING CORP.	NC 000346

**TYPICAL SECTIONS PROPOSED**

**PROJECT:**  
SEIBERT ROAD  
RECONSTRUCTION - PHASE III  
VILLAGE OF SHILOH  
ST. CLAIR COUNTY, ILLINOIS

REV.	DATE	DESCRIPTION
△		
△		
△		

DRAWN BY: JWS	SHEET
DESIGNED BY: JWS	<b>10</b>
CHECKED BY: AJE	OF 79 SHEETS
APPROVED BY: SJK	PROJECT DESCRIPTION
PROJECT NUMBER: T20-010479	SEIBERT ROAD RECONSTRUCTION
<input checked="" type="checkbox"/> ISSUED FOR REVIEW	<input type="checkbox"/> ISSUED FOR BIDDING
<input type="checkbox"/> ISSUED FOR CONSTR.	<input type="checkbox"/> RECORD DRAWING