

70 65 60 55 50 45 40 35 30 25 20 15 10 5 0 5 10 15 20 25 30 35 40 45 50 55

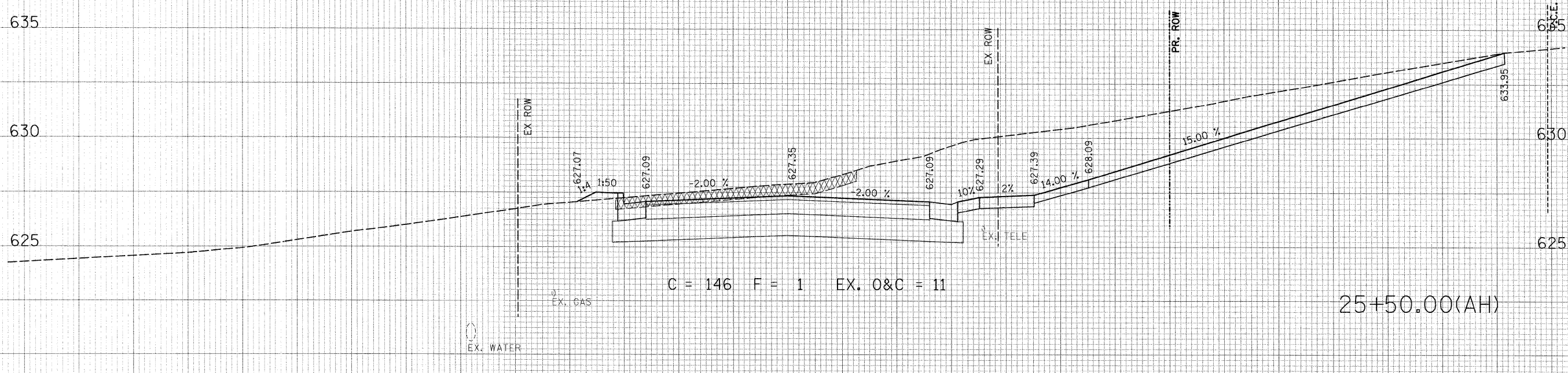
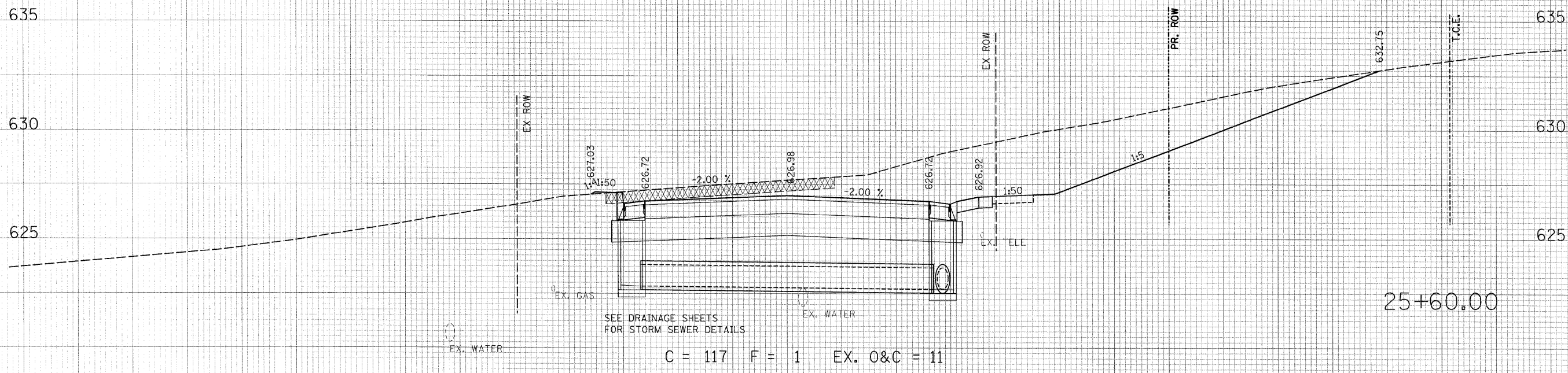
FED. ROUTE 9177	IDOT SECTION *	COUNTY ST. CLAIR
FEDERAL AID PROJECT		ILLINOIS
IDOT JOB NO. C-98-309-09		
IDOT CONTRACT NO. 97362		
* 05-0007-03-PV; 06-0007-05-PV		

**THOUVENOT, WADE & MOERCHEN, INC.**  
ENGINEERS ♦ SURVEYORS ♦ PLANNERS



- CORPORATE OFFICE**  
4940 OLD COLLINSVILLE RD.  
SWANSEA, ILLINOIS 62226  
TEL (618) 624-4488  
FAX (618) 624-6688  
info@twm-inc.com
- CARBONDALE OFFICE**  
206 WEST COLLEGE ST., SUITE 2  
CARBONDALE, ILLINOIS 62901  
TEL (618) 549-8844  
FAX (618) 549-8450  
info@twm-inc.com
- EDWARDSVILLE OFFICE**  
1015B CENTURY DRIVE  
EDWARDSVILLE, ILLINOIS 62025  
TEL (618) 656-4040  
FAX (618) 656-4343  
info@twm-inc.com
- ST. CHARLES OFFICE**  
400 NORTH 5th ST., SUITE 101  
ST. CHARLES, MISSOURI 63301  
TEL (636) 724-8300  
FAX (636) 724-8304  
info@twm-inc.com
- WATERLOO OFFICE**  
113 SOUTH MAIN STREET  
WATERLOO, ILLINOIS 62298  
TEL (618) 939-5050  
FAX (618) 939-3938  
info@twm-inc.com

PROFESSIONAL REGISTRATIONS	LICENSE NO.
ILLINOIS PROFESSIONAL DESIGN FIRM	184-001220
PROFESSIONAL ENGINEERING CORP.	02-035370
PROFESSIONAL STRUCTURAL ENGR. CORP.	81-005202
ILLINOIS PROF. LAND SURVEYING CORP.	048-000029
MISSOURI PROFESSIONAL ENGR. CORP.	NC 001528
MISSOURI LAND SURVEYING CORP.	NC 000346



**TITLE**  
SEIBERT ROAD CROSS SECTIONS

**PROJECT:**  
SEIBERT ROAD RECONSTRUCTION - PHASE V  
VILLAGE OF SHILOH  
ST. CLAIR COUNTY, ILLINOIS

REV.	DATE	DESCRIPTION
△		
△		
△		

<b>DRAWN BY:</b> JWS	<b>SHEET</b>
<b>DESIGNED BY:</b> JWS	<b>46</b>
<b>CHECKED BY:</b> AJE	<b>OF 79 SHEETS</b>
<b>APPROVED BY:</b> SJK	<b>PROJECT DESCRIPTION</b>
<b>PROJECT NUMBER:</b> T20-010479	SEIBERT ROAD RECONSTRUCTION
<input checked="" type="checkbox"/> ISSUED FOR REVIEW	<input type="checkbox"/> ISSUED FOR BIDDING
<input type="checkbox"/> ISSUED FOR CONSTR.	<input type="checkbox"/> RECORD DRAWING

70 65 60 55 50 45 40 35 30 25 20 15 10 5 0 5 10 15 20 25 30 35 40 45 50 55 60 65 70