

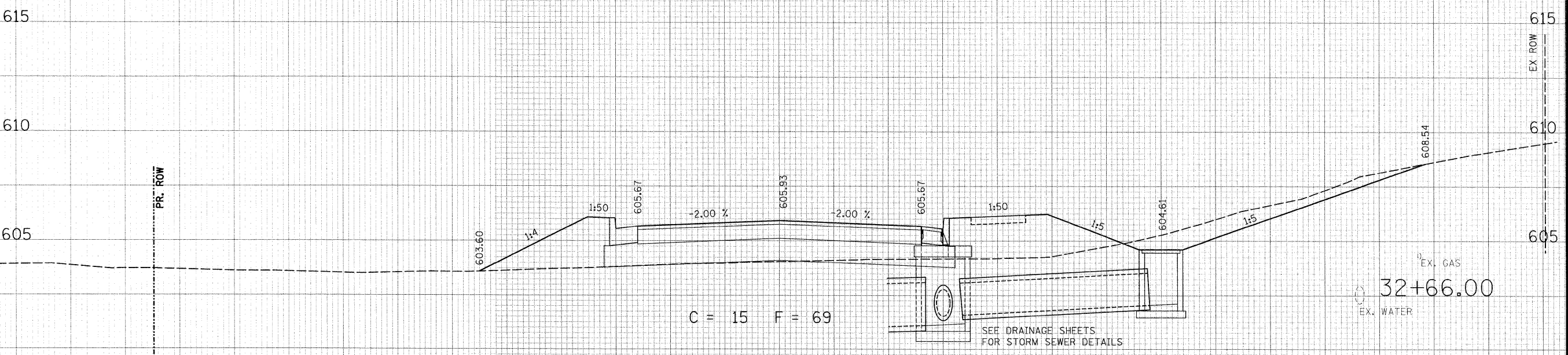
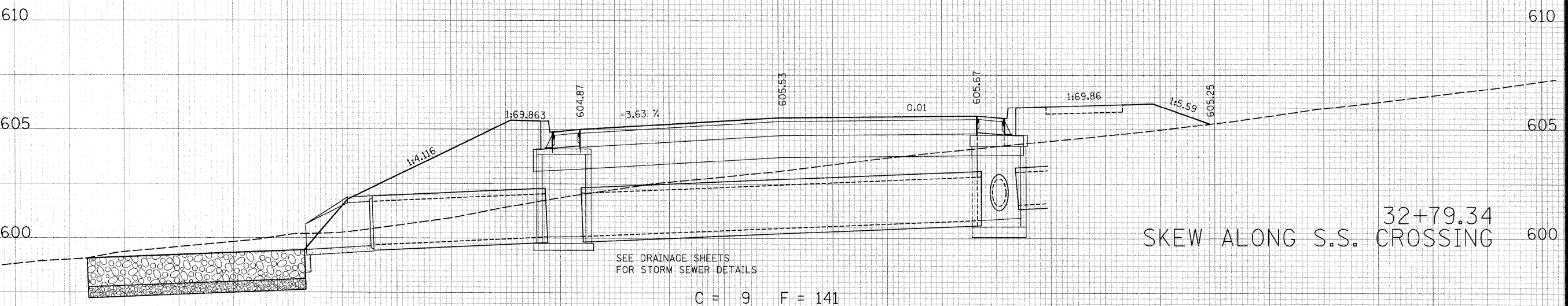
70 65 60 55 50 45 40 35 30 25 20 15 10 5 0 5 10 15 20 25 30 35 40 45 50 55

FAU ROUTE 9177	IDOT SECTION *	COUNTY ST. CLAIR
FEDERAL AID PROJECT ILLINOIS		
IDOT JOB NO. C-98-309-09		
IDOT CONTRACT NO. 97362		
* 05-0007-03-PV; 06-0007-05-PV		

THOUVENOT, WADE & MOERCHEN, INC.
ENGINEERS ♦ SURVEYORS ♦ PLANNERS



- CORPORATE OFFICE**
4940 OLD COLLINSVILLE RD.
SWANSEA, ILLINOIS 62226
TEL (618) 624-4488
FAX (618) 624-6688
info@twm-inc.com
- CARBONDALE OFFICE**
206 WEST COLLEGE ST., SUITE 2
CARBONDALE, ILLINOIS 62901
TEL (618) 549-8844
FAX (618) 549-8450
info@twm-inc.com
- EDWARDSVILLE OFFICE**
1015B CENTURY DRIVE
EDWARDSVILLE, ILLINOIS 62025
TEL (618) 656-4040
FAX (618) 656-4343
info@twm-inc.com
- ST. CHARLES OFFICE**
400 NORTH 5th ST., SUITE 101
ST. CHARLES, MISSOURI 63301
TEL (636) 724-8300
FAX (636) 724-8304
info@twm-inc.com
- WATERLOO OFFICE**
113 SOUTH MAIN STREET
WATERLOO, ILLINOIS 62298
TEL (618) 939-5050
FAX (618) 939-3938
info@twm-inc.com



PROFESSIONAL REGISTRATIONS	LICENSE NO.
ILLINOIS PROFESSIONAL DESIGN FIRM	184-001220
PROFESSIONAL ENGINEERING CORP.	62-035370
PROFESSIONAL STRUCTURAL ENGR. CORP.	81-005202
ILLINOIS PROF. LAND SURVEYING CORP.	048-000029
MISSOURI PROFESSIONAL ENGR. CORP.	NC 001528
MISSOURI LAND SURVEYING CORP.	NC 000346

SEIBERT ROAD CROSS SECTIONS

SEIBERT ROAD RECONSTRUCTION - PHASE V VILLAGE OF SHILOH ST. CLAIR COUNTY, ILLINOIS

REV.	DATE	DESCRIPTION
△		
△		
△		

DRAWN BY: JWS	SHEET
DESIGNED BY: JWS	57
CHECKED BY: AJE	OF 79 SHEETS
APPROVED BY: SJK	PROJECT DESCRIPTION
PROJECT NUMBER: T20-010479	SEIBERT ROAD RECONSTRUCTION
<input checked="" type="checkbox"/> ISSUED FOR REVIEW	<input type="checkbox"/> ISSUED FOR BIDDING
<input type="checkbox"/> ISSUED FOR CONSTR.	<input type="checkbox"/> RECORD DRAWING

70 65 60 55 50 45 40 35 30 25 20 15 10 5 0 5 10 15 20 25 30 35 40 45 50 55 60 65 70