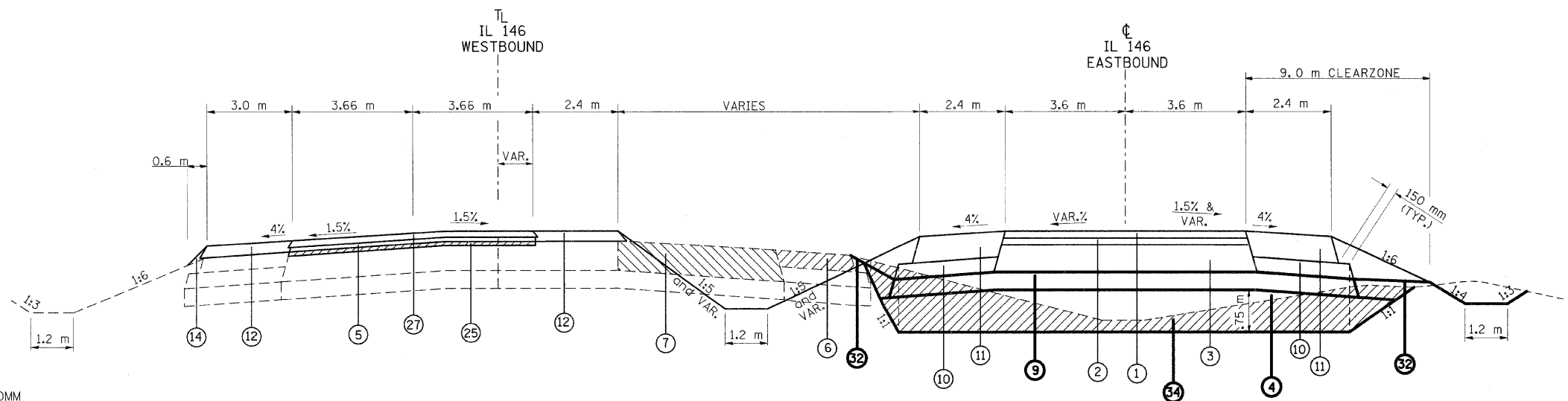


F.A.P. RTE.	SECTION	COUNTY	TOTAL SHEETS	SHEET NO.
312	101-2(A,B,R)	ALEXANDER	152	8

STA.	TO STA.
FED. ROAD DIST. NO.	ILLINOIS FED. AID PROJECT

TYPICALS

BOLD ITEMS ONLY CONSTRUCTED IN THIS CONTRACT

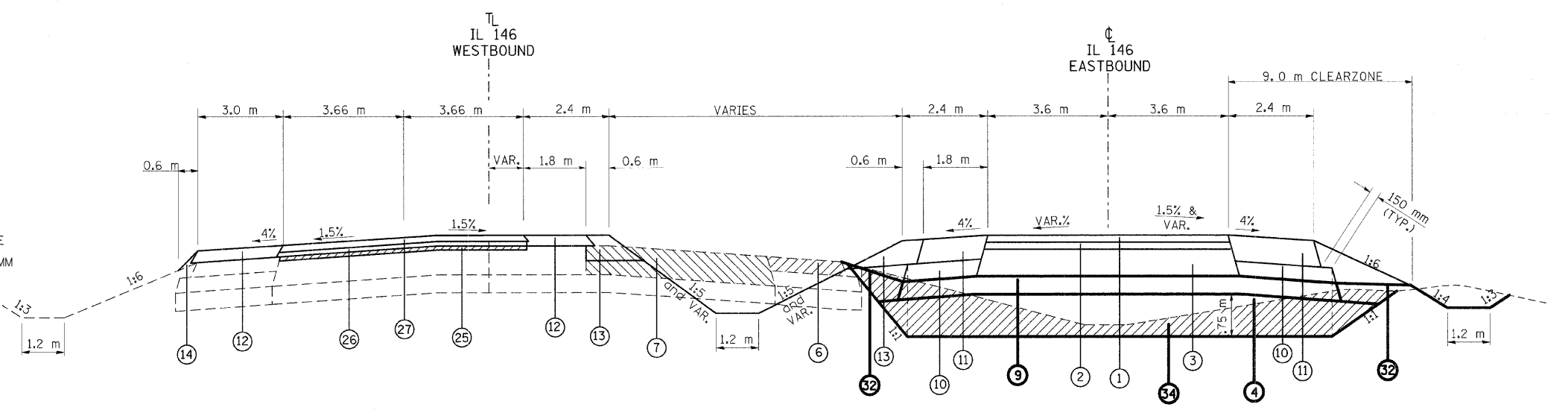


TO BE USED:
 EB STA. 12+700 TO STA. 12+750
 WB STA. 2+700 TO STA. 2+750

NOTE:
 HOT-MIX ASPHALT SURFACE REMOVAL VARIABLE DEPTH AND POLYMERIZED
 HOT-MIX ASPHALT BINDER COURSE SHALL BE USED TO CORRECT THE
 PAVEMENT SLOPE.

- ① POLYMERIZED HOT-MIX ASPHALT SURFACE COURSE, MIX. D, N90 50MM
- ② POLYMERIZED HOT-MIX ASPHALT BINDER COURSE, IL-19.0, N90 38MM AND VARIABLE
- ③ HOT-MIX ASPHALT BINDER COURSE, IL-19.0, N90 292MM
- ④ ROCKFILL**
- ⑤ POLYMERIZED HOT-MIX ASPHALT BINDER COURSE, IL-19.0, N90 57MM AND VARIABLE
- ⑥ PAVED SHOULDER REMOVAL
- ⑦ PAVEMENT REMOVAL
- ⑧ PROCESSING LIME MODIFIED SOILS 300MM
- ⑨ SUB-BASE GRANULAR MATERIAL, TYPE A 300MM**
- ⑩ SUB-BASE GRANULAR MATERIAL, TYPE C
- ⑪ HOT-MIX ASPHALT SHOULDERS, 200MM
- ⑫ HOT-MIX ASPHALT SHOULDERS, M. TON 95MM AND VARIAB;E
- ⑬ AGGREGATE SHOULDERS, TYPE A 200MM
- ⑭ AGGREGATE WEDGE SHOULDER, TYPE B
- ⑮ PIPE UNDERDRAIN 100MM
- ⑯ PIPE UNDERDRAIN 100MM (SPECIAL)
- ⑰ CONCRETE HEADWALL FOR PIPE DRAINS
- ⑱ COMBINATION CONCRETE CURB AND GUTTER TYPE M-15.60
- ⑲ COMBINATION CONCRETE CURB AND GUTTER TYPE M-15.15
- ⑳ CONCRETE MEDIAN SURFACE, 100MM
- ㉑ COURSE AGGREGATE, CA7 OR CA11
- ㉒ HOT-MIX ASPHALT BASE COURSE, 285MM
- ㉓ SUB-BASE GRANULAR MATERIAL, TYPE A 100MM
- ㉔ PORTLAND CEMENT CONCRETE PAVEMENT 250MM (JOINTED)
- ㉕ HOT-MIX ASPHALT SURFACE REMOVAL 15MM AND VARIABLE
- ㉖ POLYMERIZED LEVELING BINDER (MACHINE METHOD), N90 VARIABLE
- ㉗ POLYMERIZED HOT-MIX ASPHALT SURFACE COURSE, MIX D, N90 38MM
- ㉘ HOT-MIX ASPHALT BINDER COURSE, IL-19.0, N90 285MM
- ㉙ HOT-MIX ASPHALT SHOULDERS, 250MM
- ㉚ AGGREGATE SHOULDERS, TYPE A 250MM
- ㉛ STRIP REFLECTIVE CRACK CONTROL TREATMENT
- ㉜ GRADE LINE**
- ㉝ STABILIZED SUB-BASE-HOT-MIX ASPHALT, 100MM
- ㉞ UNSTABLE SOIL**

TO BE CONSTRUCTED DURING FUTURE CONTRACT



TO BE USED:
 EB STA. 12+750 TO STA. 12+820
 WB STA. 2+750 TO STA. 2+820

NOTE:
 HOT-MIX ASPHALT SURFACE REMOVAL VARIABLE DEPTH AND POLYMERIZED
 HOT-MIX ASPHALT BINDER COURSE SHALL BE USED TO CORRECT THE
 PAVEMENT SLOPE.

REVISIONS	
NAME	DATE

ILLINOIS DEPARTMENT OF TRANSPORTATION

TYPICALS

SCALE: VERT. NONE
 HORIZ. DATE
 DRAWN BY CNH
 CHECKED BY