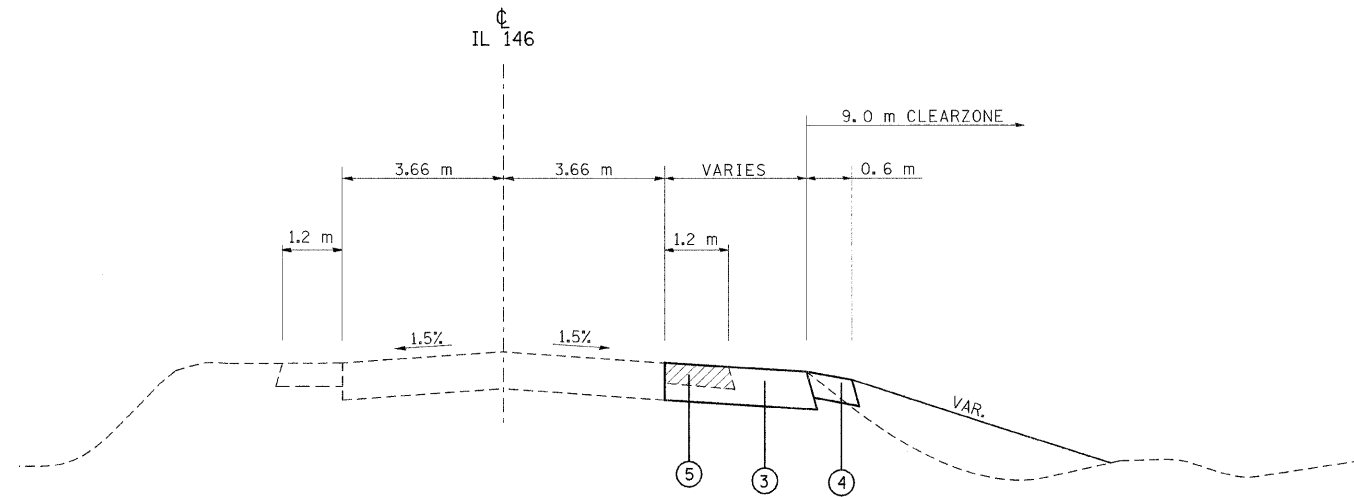


F.A.P. RTE.	SECTION	COUNTY	TOTAL SHEETS	SHEET NO.
312	101-2(A,B,R)	ALEXANDER	152	14
STA.		TO STA.		
FED. ROAD DIST. NO.	ILLINOIS	FED. AID PROJECT		

TYPICAL DETOUR ROAD



TO BE USED:

STA. 0+000 TO STA. 0+074.4 DETOUR
 STA. 0+327.5 TO STA. 0+403.9 DETOUR

- ① POLYMERIZED HOT-MIX ASPHALT SURFACE COURSE, MIX. D, N90 50MM
- ② HOT-MIX ASPHALT BINDER COURSE, IL-19.0, N90 200MM
- ③ HOT-MIX ASPHALT BINDER COURSE, IL-19.0, N90 250MM
- ④ HOT-MIX ASPHALT SHOULDERS, 200MM
- ⑤ PAVED SHOULDER REMOVAL
- ⑥ PAVEMENT REMOVAL

REVISIONS		ILLINOIS DEPARTMENT OF TRANSPORTATION
NAME	DATE	
		TYPICAL

SCALE: VERT. NONE
 HORIZ. NONE
 DATE: _____ DRAWN BY CNH
 CHECKED BY _____