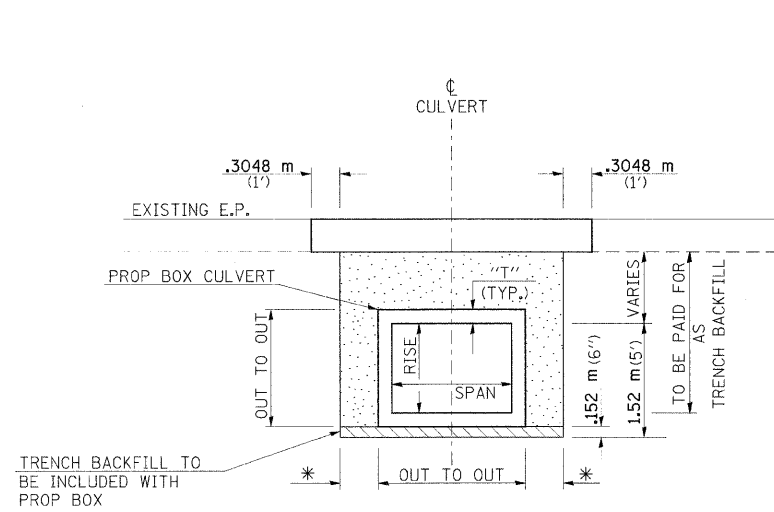
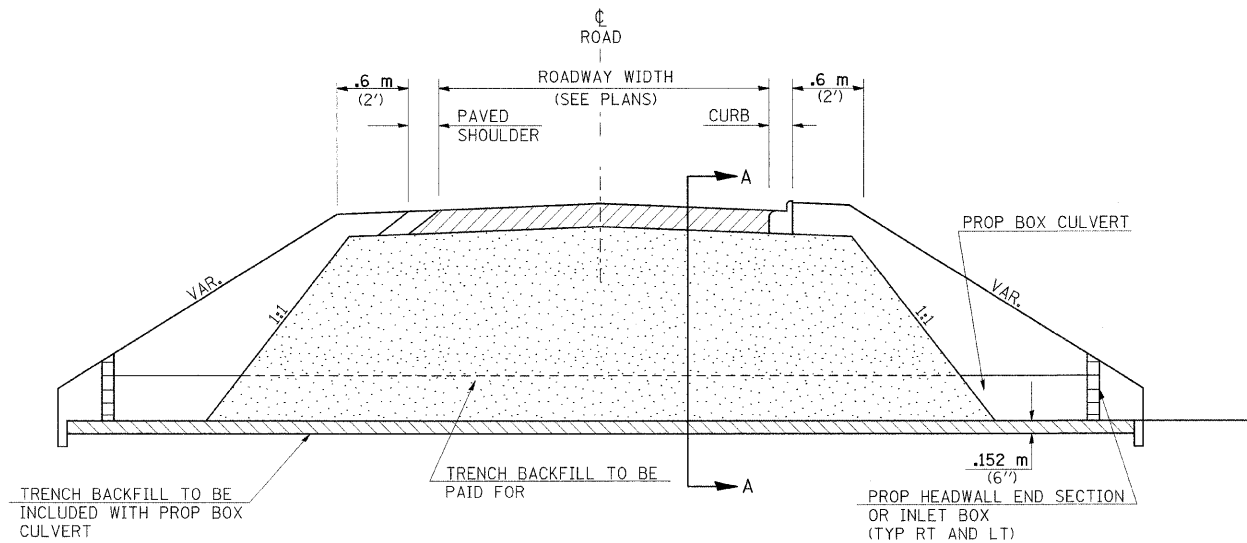


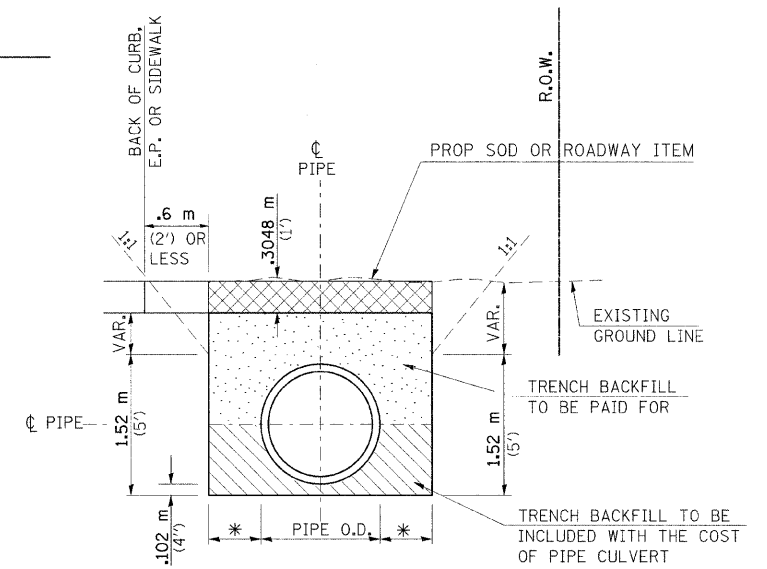
F.A. RTE.	SECTION	COUNTY	TOTAL SHEETS	SHEET NO.
312	101-2(A,B,R)	ALEXANDER	152	77
STA.		TO STA.		
FED. ROAD DIST. NO.		ILLINOIS FED. AID PROJECT		



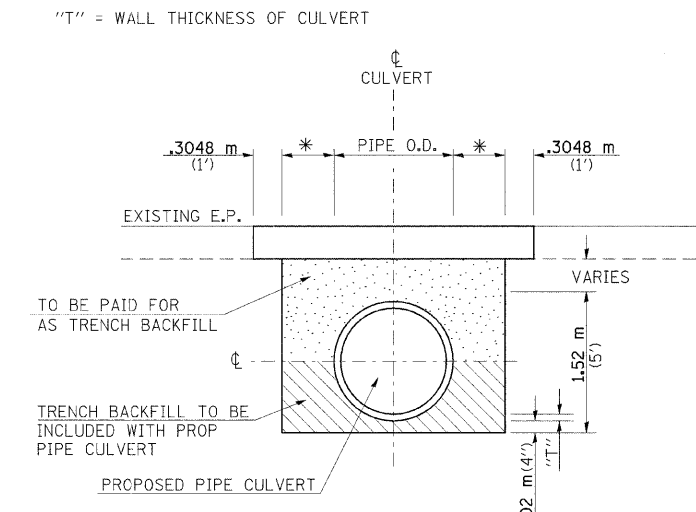
SECTION A-A: PROPOSED BOX
TRENCH DEPTH GREATER THAN 1.52 m (5')
SHORING REQUIRED



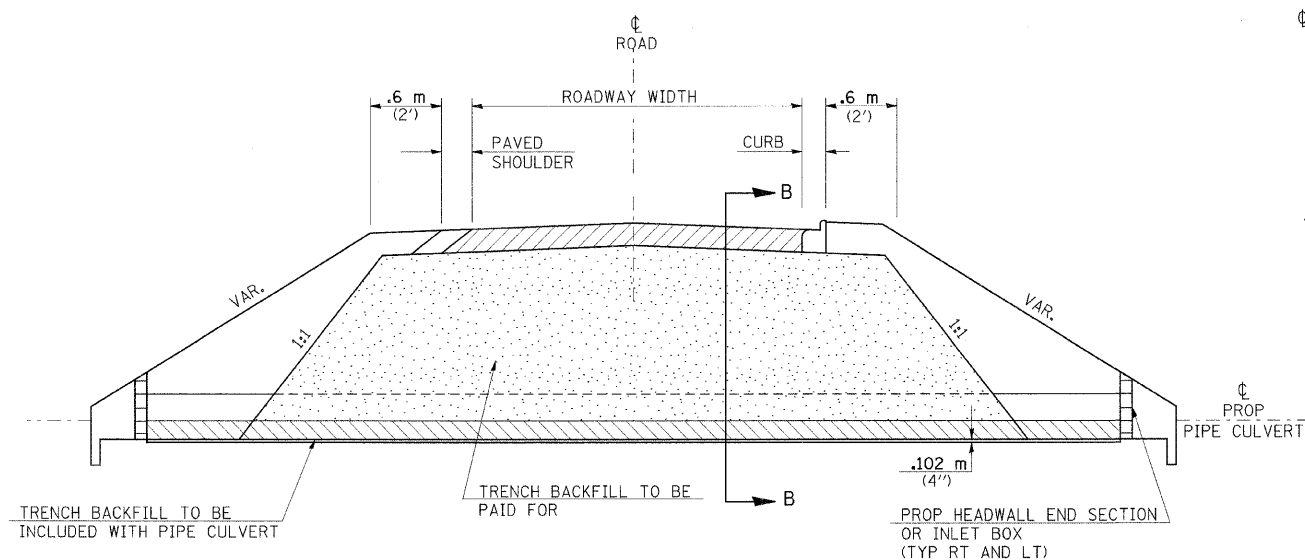
PROFILE SECTION THRU BOX CULVERT ACROSS ROADWAY



SECTION OF TRENCHES NEAR EDGE OF PAVEMENT



SECTION B-B: PROPOSED PIPE CULVERT
TRENCH DEPTH GREATER THAN 1.52 m (5')
SHORING REQUIRED



PROFILE SECTION THRU PIPE CULVERT ACROSS ROADWAY

* .229 m (9") + PIPE OD + .229 m (9") WHEN TRENCH DEPTH < 1.52 m (5').
 .457 m (18") + PIPE OD + .457 m (18") WHEN TRENCH DEPTH > 1.52 m (5').

REVISIONS		ILLINOIS DEPARTMENT OF TRANSPORTATION
NAME	DATE	
		DETAILS: TRENCH BACKFILL
SCALE: VERT. NO SCALE HORIZ. DATE		DRAWN BY CNH CHECKED BY

PLOT DATE = 10/24/2008
 FILE NAME = c:\pva\work\pva\pva\DOT\HEADCON\ans43642\ans43642.dgn
 USER = hnsen