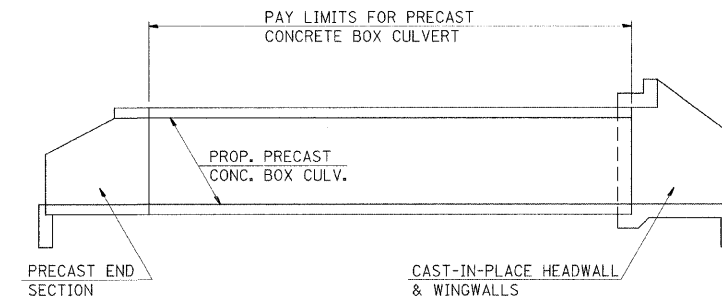
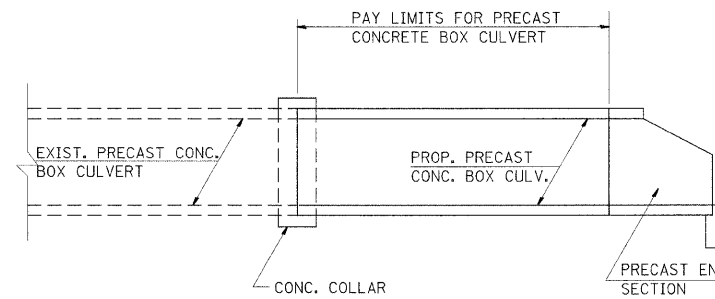
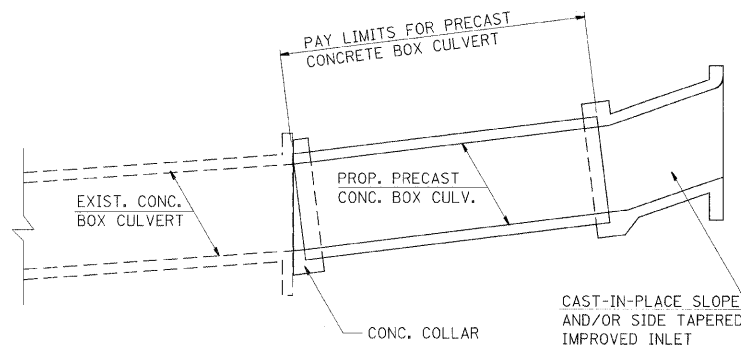
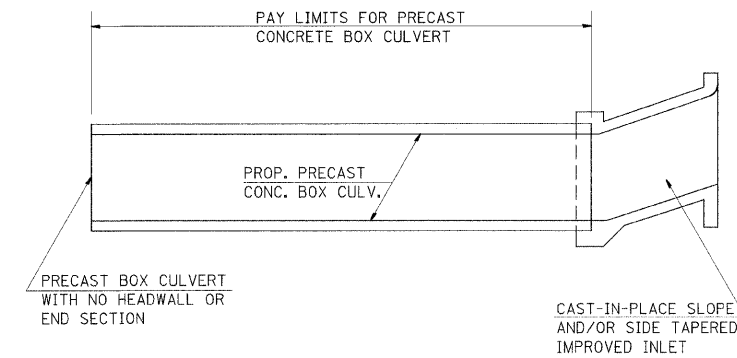
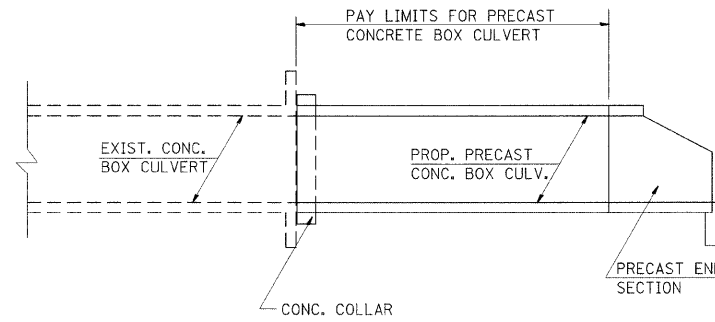
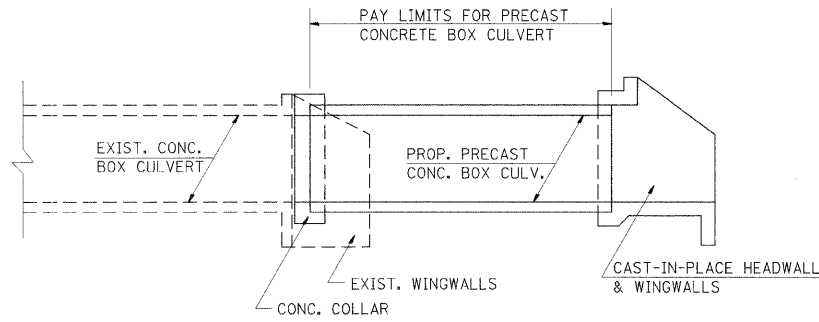


F.A.P. RTE.	SECTION	COUNTY	TOTAL SHEETS	SHEET NO.
312	101-2(A,B,R)	ALEXANDER	152	79
STA.		TO STA.		
FED. ROAD DIST. NO.		ILLINOIS	FED. AID PROJECT	

PAYMENT LIMITS FOR PRECAST CONCRETE BOX CULVERTS



CULVERT EXTENSIONS

NEW CULVERTS

NOTES

WHEN PRECAST CONCRETE BOX CULVERTS ARE SPECIFIED ON THE PLANS, THEY WILL BE MEASURED BY THE METER (FOOT). THE OVERALL LENGTH SHALL BE MEASURED OUT-TO-OUT OF THE PRECAST SEGMENTS ALONG THE CENTERLINE OF THE CULVERT. THE BOX CULVERT END SECTIONS WILL BE MEASURED AS EACH. CAST-IN-PLACE COLLARS WILL NOT BE PAID FOR SEPARATELY, BUT SHALL BE INCLUDED IN THE COST OF THE PRECAST CONCRETE BOX CULVERT. SEE ARTICLE 540.08 OF THE STANDARD SPECIFICATIONS ADOPTED JANUARY 1, 2007.

THE TERM "BOX CULVERT END SECTION" AS USED HEREIN SHALL BE DEFINED AS EITHER PRECAST END SECTIONS OR CAST-IN-PLACE HEADWALLS AND WINGWALLS CONSTRUCTED AS SHOWN IN THE PLANS.

THROUGHOUT THESE PLANS, QUANTITIES SHOWN FOR CLASS SI CONCRETE AND REBARS TO BE USED IN COLLARS, HEADWALLS, WING WALLS, OR IMPROVED INLETS FOR PRECAST CONCRETE BOX CULVERTS ARE PROVIDED FOR INFORMATION AND BIDDING ONLY, AND SHALL NOT BE PAID FOR SEPARATELY.

ALL DIMENSIONS ARE IN MILLIMETERS (INCHES) UNLESS OTHERWISE NOTED.

REVISIONS	
REVISION	DATE
REVISED	3-11-92
REVISED	12-9-92
REVISED	10-18-93
REVISED	8-23-94
REVISED	3-24-97

STD. 9M-81

REVISIONS	
NAME	DATE

ILLINOIS DEPARTMENT OF TRANSPORTATION
DETAIL:
**PAYMENT LIMITS FOR PRECAST
CONCRETE BOX CULVERTS**

SCALE: VERT. NONE
HORIZ. DATE

DRAWN BY CNH
CHECKED BY

PLOT DATE = 10/24/2008
 FILE NAME = P:\DOT\HEADCIV\101-2(A,B,R)\101-2(A,B,R)_79.dgn
 PLOT SCALE = 50.0000 / IN.
 USER NAME = hsoocn