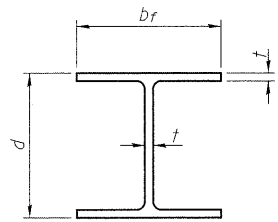
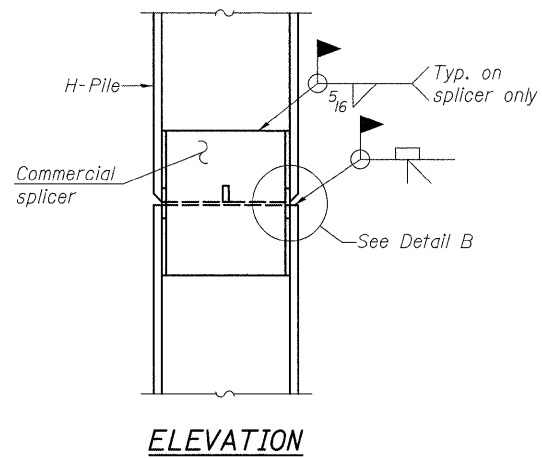


STATE OF ILLINOIS  
DEPARTMENT OF TRANSPORTATION

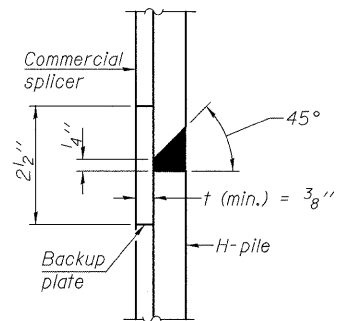


STEEL PILE TABLE

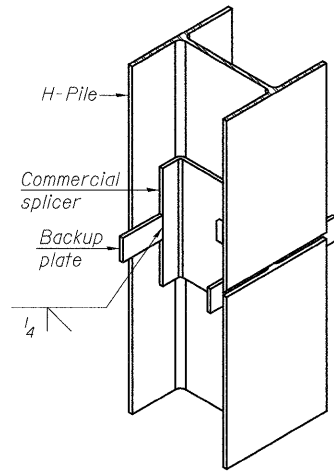
Designation	Depth <i>d</i>	Flange width <i>b<sub>f</sub></i>	Web and Flange thickness <i>t</i>	Encasement diameter <i>A</i>
HP 14x117	14 1/4"	14 7/8"	13/16"	30"
x102	14"	14 3/4"	1/16"	30"
x89	13 7/8"	14 3/4"	5/8"	30"
x73	13 5/8"	14 5/8"	1/2"	30"
HP 12x84	12 1/4"	12 1/4"	1/16"	24"
x74	12 1/8"	12 1/4"	5/8"	24"
x63	12"	12 1/8"	1/2"	24"
x53	11 3/4"	12"	7/16"	24"
HP 10x57	10"	10 1/4"	9/16"	24"
x42	9 3/4"	10 1/8"	7/16"	24"
HP 8x36	8"	8 1/8"	7/16"	18"



ELEVATION

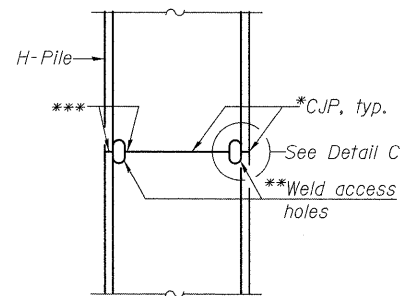


DETAIL "B"

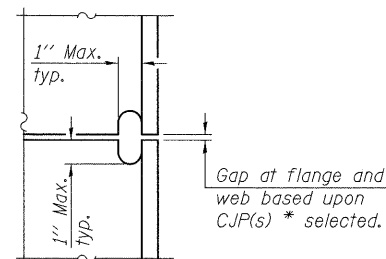


ISOMETRIC VIEW

WELDED COMMERCIAL SPLICE



ELEVATION



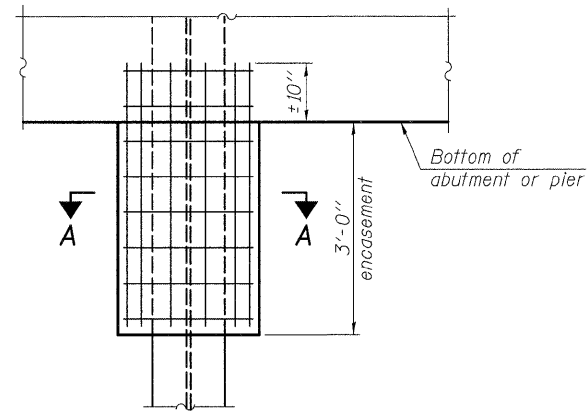
DETAIL C

COMPLETE PENETRATION WELD SPLICE

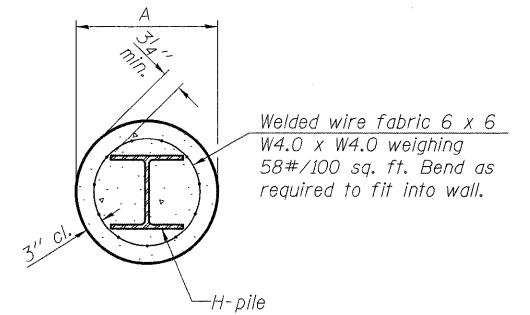
\*Use joint conforming to Figure 3.4 in AWS D1.1, Structure Welding Code-Steel.

\*\*Preparation per Fig. 5.2 in AWS D1.1, Structure Welding Code-Steel.

\*\*\*Interrupt welds 1/4" from end of each pile.



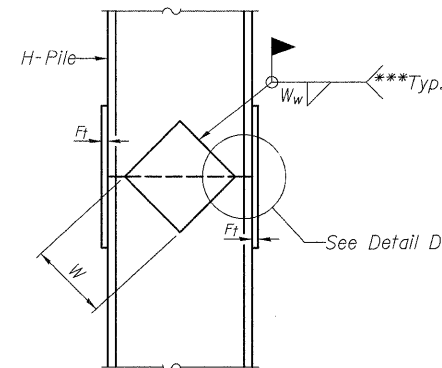
ELEVATION



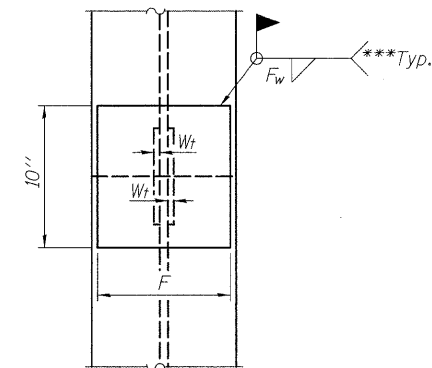
SECTION A-A

Note: Forms for encasement may be omitted when soil conditions permit.

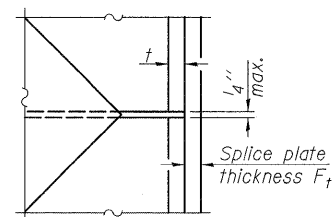
PILE ENCASEMENT



ELEVATION



END VIEW



DETAIL D

WELDED PLATE FIELD SPLICE

Designation	<i>F</i>	<i>F<sub>t</sub></i>	<i>F<sub>w</sub></i>	<i>W</i>	<i>W<sub>t</sub></i>	<i>W<sub>w</sub></i>
HP 14x117	12 1/2"	1"	7/8"	7 3/4"	5/8"	1/2"
x102	12 1/2"	7/8"	3/4"	7 3/4"	5/8"	1/2"
x89	12 1/2"	3/4"	1/16"	7 3/4"	5/8"	1/2"
x73	12 1/2"	5/8"	9/16"	7 3/4"	5/8"	1/2"
HP 12x84	10"	7/8"	1/16"	6 1/2"	5/8"	1/2"
x74	10"	7/8"	1/16"	6 1/2"	5/8"	1/2"
x63	10"	5/8"	1/2"	6 1/2"	1/2"	3/8"
x53	10"	5/8"	1/2"	6 1/2"	1/2"	3/8"
HP 10x57	8"	3/4"	9/16"	5 1/4"	1/2"	3/8"
x42	8"	5/8"	9/16"	5 1/4"	1/2"	3/8"
HP 8x36	7"	5/8"	7/16"	4 1/4"	1/2"	3/8"

Note: The steel H-piles shall be according to AASHTO M270 Grade 50.

STEEL PILE DETAILS  
IL 34/146 OVER  
THREE MILE CREEK  
STATION 76+80.00

<p>LIN ENGINEERING, LTD. Consulting Engineers Chatham, Illinois</p>	SHEET NO. 14	F.A.P. RTE. 885	SECTION 5B-1	COUNTY Hardin	TOTAL SHEETS 48	SHEET NO. 27
	18 SHEETS	S.N. 035-0015		CONTRACT NO. 98949		
	FED. ROAD DIST. NO. -		ILLINOIS		FED. AID PROJECT	