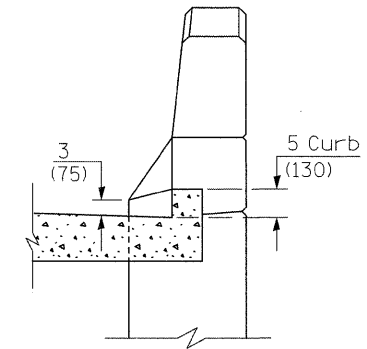
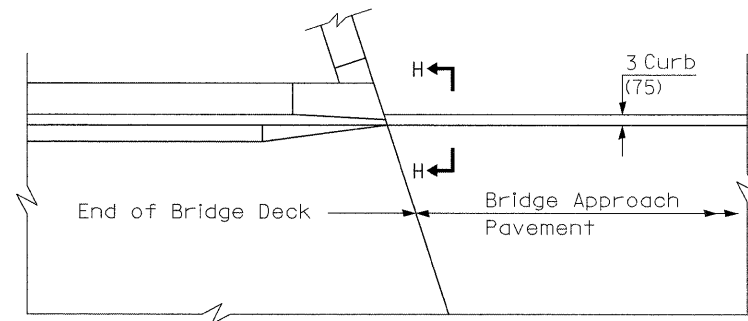


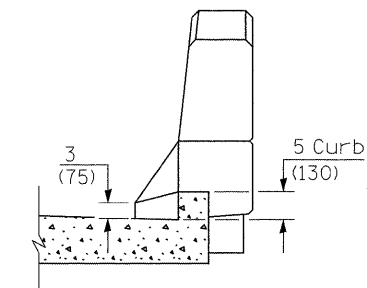
PARAPET TO CURB TRANSITION  
PILE BENT ABUTMENT



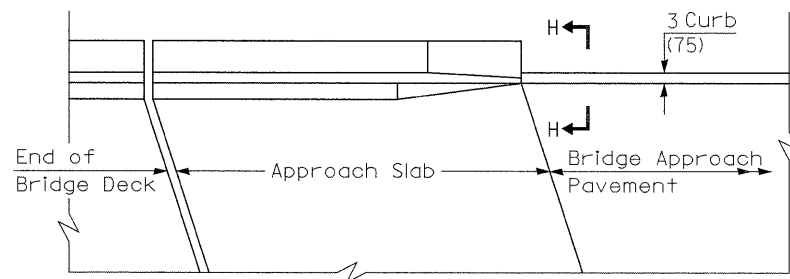
SECTION I - I



PARAPET TO CURB TRANSITION  
INTEGRAL ABUTMENT



SECTION H - H



PARAPET TO CURB TRANSITION  
VAULTED ABUTMENT

FILE NAME = #FILE#	USER NAME = #USER#	DESIGNED -	REVISED -	<b>STATE OF ILLINOIS</b> <b>DEPARTMENT OF TRANSPORTATION</b>	SCALE:      SHEET NO.    OF    SHEETS    STA.            TO STA.	F.A. RTE. 885	SECTION 5B-1	COUNTY HARDIN	TOTAL SHEETS 48	SHEET NO. 37
	PLOT SCALE = #SCALE#	CHECKED -	REVISED -			CONTRACT NO. 98949				
	PLOT DATE = #DATE#	DATE -	REVISED -			FED. ROAD DIST. NO.    ILLINOIS FED. AID PROJECT				