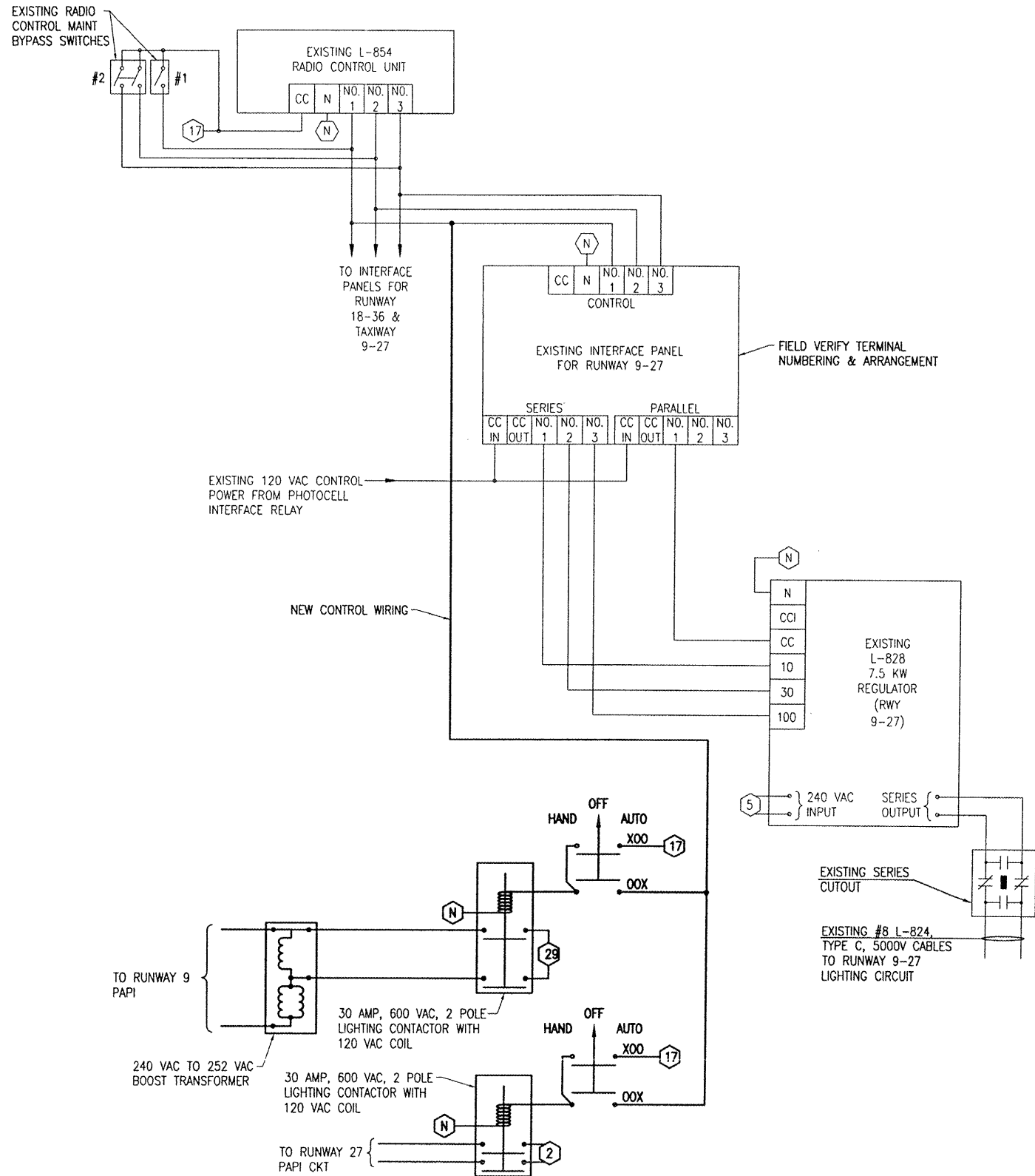


APR 11, 2008 10:33 AM HAGI000382  
 ...AIRPORTS\LITCHFIELD\B14-06\RWY\AIRPORT\ SHEETS\E-604.DWG - Work-FLR



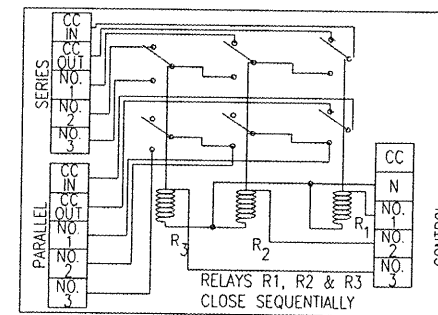
**RUNWAY 9-27 PAPI UNITS WIRING SCHEMATIC**

**NOTES**

1. ALL ELECTRICAL EQUIPMENT WILL BE WIRED IN ACCORDANCE WITH THE SCHEMATIC WIRING DIAGRAM, ALL APPLICABLE CODES, AND AS SPECIFIED HEREIN.
2. ALL CONTROL CABLE WILL BE NO. 12 AWG, 600 VOLT CABLE.
3. ALL ELECTRICAL EQUIPMENT WILL BE PROPERLY LABELED AND ALL ELECTRICAL CABLES WILL BE TAGGED.
4. ALL ELECTRICAL CABLES INSIDE THE VAULT WILL BE IN CONDUIT OR DUCT.
5. THE RUNWAY 9-27 PAPI CIRCUITS WILL BE CONTROLLED BY THE L-854 RADIO CONTROL UNIT IN THE FOLLOWING MANNER:  
 3 CLICKS - ON  
 5 CLICKS - REMAIN ON  
 7 CLICKS - REMAIN ON
6. L-854 RADIO CONTROL UNIT, INTERFACE PANEL FOR RUNWAY 9-27, & CCR FOR RWY 9-27 ARE EXISTING. LIGHTING CONTACTORS, HAND-OFF-AUTO SELECTOR SWITCHES, AND BOOST TRANSFORMER FOR RUNWAY 9-27 PAPI UNITS SHALL BE NEW. INTERFACE NEW CONTROL WIRING TO EXISTING CONTROL SYSTEM. FIELD VERIFY EXISTING CONTROL CIRCUITS.
7. EQUIPMENT GROUND WIRES SHALL BE INCLUDED WITH EACH BRANCH/FEEDER CIRCUIT & EACH CONTROL CIRCUIT.
8. SEE LIGHTING CONTACTOR PANEL DETAILS FOR REQUIREMENTS ON PANEL LAYOUT & WIRING.
9. NEW CONDUCTORS FOR PAPI CIRCUITS SHALL BE AS DETAILED HEREIN & IN THE SPECIAL PROVISIONS.

**SHEET LEGEND**

- ② NEW 240 VAC FEEDER CIRCUIT FOR RUNWAY 27 PAPI FROM VAULT PANEL CKT 2, 4.
- ⑤ EXISTING 240 VAC POWER CIRCUIT FOR RWY 9-27 CCR FROM VAULT PANELBOARD CKT 5, 7.
- ①⑦ EXISTING 120 VAC CONTROL POWER CIRCUIT FOR L-854 RADIO FROM VAULT PANELBOARD CKT 17. INTERFACE TO NEW LIGHTING CONTACTOR PANEL FOR RWY 9-27 PAPI UNITS.
- ②⑨ NEW 240 VAC FEEDER CIRCUIT FOR RUNWAY 9 PAPI'S FROM VAULT PANEL CKT 29, 31.
- N N DESIGNATES NEUTRAL FROM THE RESPECTIVE PANEL THAT POWERS THE DEVICE. FOR CONTROL CIRCUIT INPUTS TO CCR'S N SHALL BE FROM THE RESPECTIVE INTERFACE PANEL CIRCUIT NEUTRAL CONNECTION.



**TYP. INTERFACE PANEL DETAIL**

**LI031**

DATE	REVISION	BY

**LITCHFIELD MUNICIPAL AIRPORT  
 LITCHFIELD, ILLINOIS**

IL PROJ.: 31F-3559 A.I.P. PROJ.: 3-17-0063-B13

IL Project No. 814-08RMTD_0800			
Drawn E-604.DWG			
Scale NONE			
Date 01/29/08			
LAYOUT KNL	01/22/08		
DRAWN MV	01/22/08		
REVIEWED CAH	01/29/08		

**HANSON**  
 Hanson Professional Services Inc.  
 1525 South Sixth Street  
 Springfield, Illinois 62703-2886  
 Offices Nationwide

**PROPOSED P.F.C.  
 ON RUNWAY 9-27  
 AIRFIELD LIGHTING  
 WIRING SCHEMATIC**