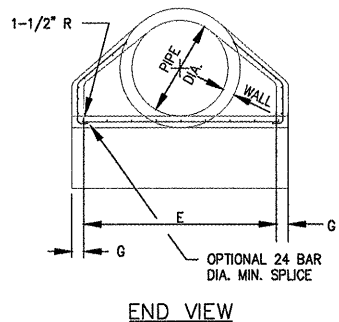


PIPE DIA.	WALL	A	B	C	D	E	G	R	SLOPE
12"	2"	4"	2'-0"	4'-0 7/8"	6'-0 7/8"	2'-0"	2"	9"	1:2.4
15"	2 1/4"	6"	2'-3"	3'-10"	6'-1"	2'-6"	2 1/4"	11"	1:2.4
18"	2 1/2"	9"	2'-3"	3'-10"	6'-1"	3'-0"	2 1/2"	12"	1:2.4
21"	2 3/4"	9"	2'-11"	3'-2"	6'-1"	3'-6"	2 3/4"	13"	1:2.4
24"	3"	9 1/2"	3'-7 1/2"	2'-6"	6'-1 1/2"	4'-0"	3"	14"	1:2.5
27"	3 1/4"	10 1/2"	4'-0"	2'-1 1/2"	6'-1 1/2"	4'-6"	3 1/4"	14 1/2"	1:2.4
30"	3 1/2"	1'-0"	4'-6"	1'-7 3/4"	6'-1 3/4"	5'-0"	3 1/2"	15"	1:2.5
33"	3 3/4"	1'-1 1/2"	4'-10 1/2"	3'-3 1/4"	8'-1 3/4"	5'-6"	3 3/4"	17 1/2"	1:2.5
36"	4"	1'-3"	5'-3"	2'-10 3/4"	8'-1 3/4"	6'-0"	4"	20"	1:2.5
42"	4 1/2"	1'-9"	5'-3"	2'-11"	8'-2"	6'-6"	4 1/2"	22"	1:2.5
48"	5"	2'-0"	6'-0"	2'-2"	8'-2"	7'-0"	5"	22"	1:2.5
54"	5 1/2"	2'-3"	5'-5"	2'-11"	8'-4"	7'-6"	5 1/2"	24"	1:2.0

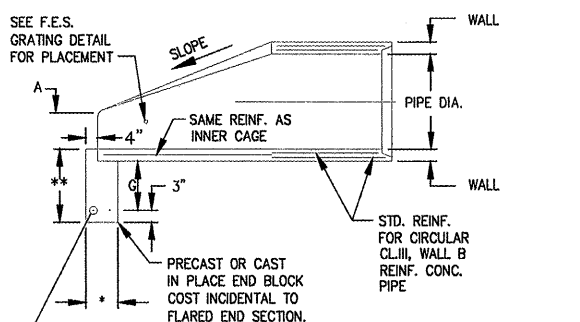
**NOTES**

- GRATING SHALL BE PAID FOR UNDER ITEM AR752518.
- THE END BLOCK SHALL BE PLACED PRIOR TO THE INSTALLATION OF THE FLARED END SECTION. THE END BLOCK SHALL BE BACKFILLED IN ACCORDANCE WITH ARTICLE 502.10 OF IDOT SPECIFICATIONS, WITH COST INCIDENTAL TO FLARED END SECTION.
- PRECAST CONCRETE FLARED END SECTIONS SHALL CONFORM TO THE APPLICABLE REQUIREMENTS OF AASHTO M-170 CLASS III, WALL B REINFORCED CONCRETE PIPE.

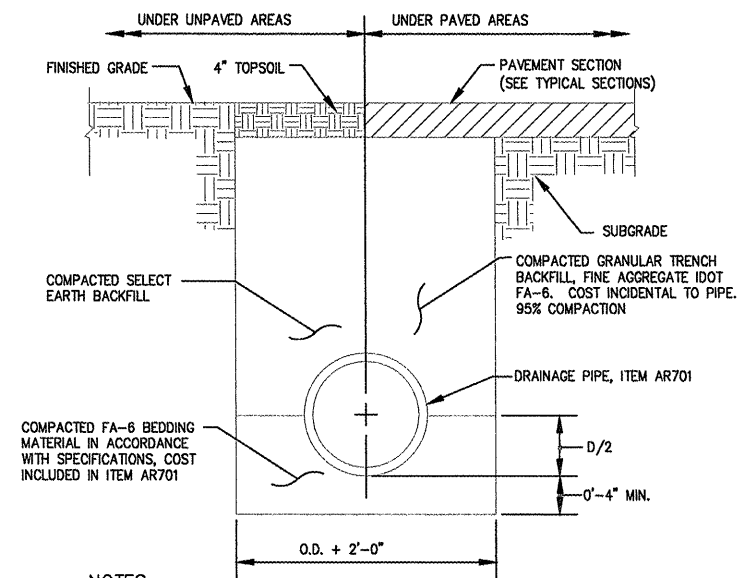
- \* 8" - 36" DIA. PIPE OR LESS
- 10" - GREATER THAN 36" DIA. PIPE
- \*\* 18" - 36" DIA. PIPE OR LESS
- 24" - GREATER THAN 36" DIA. PIPE



**PRECAST CONCRETE FLARED END SECTION**  
(IDOT STANDARD 542301-01)



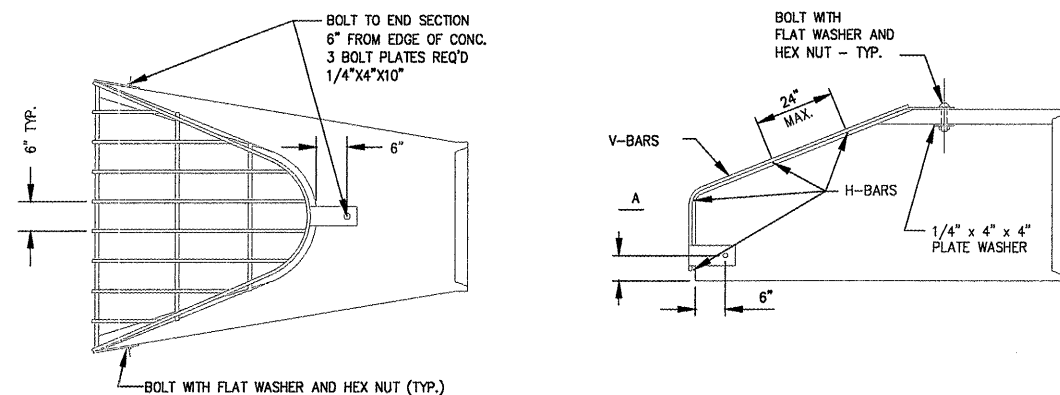
SECTION A-A



**NOTES**

- UNSUITABLE MATERIAL ENCOUNTERED DURING PLACEMENT OF BEDDING SHALL BE REMOVED AND REPLACED.
- WITHIN 3 FEET OF FUTURE PAVED AREA OR GRAVEL SHOULDERS, GRANULAR BACKFILL IS TO BE USED INSTEAD OF EARTH BACKFILL.

PIPE TRENCH



GRATING FOR FLARED END SECTION

DIA. INCHES	V-BAR SIZE	H-BAR SIZE	No. OF H-BARS REQ'D.	BOLT DIA. "A" DIM. INCHES	
				BOLT DIA.	"A" DIM.
12	1/2"	5/8"	3	1/2	4
15	1/2"	5/8"	3	1/2	4 1/2
18	1/2"	5/8"	4	1/2	4 1/2
21	1/2"	5/8"	4	1/2	5
24	5/8"	3/4"	4	1/2	5
27	5/8"	3/4"	4	1/2	5 1/2
30	5/8"	3/4"	4	1/2	5 1/2
36	3/4"	1"	4	3/4	8
42	3/4"	1"	4	3/4	8
48	3/4"	1"	5	3/4	8
54	3/4"	1-1/2" PIPE	5	3/4	8
24 X 38 ELLIPTICAL	3/4"	1"	5	3/4	8

**NOTES**

- BARs AND PLATES ARE HOT ROLLED STEEL.
- BARs, PLATES, PIPE AND BOLTS ARE GALVANIZED.

Hanson Professional Services Inc.  
 Suite 200, 815 Commerce Drive  
 Oak Brook, Illinois 60521  
 © Copyright Hanson Professional Services Inc. 2008

