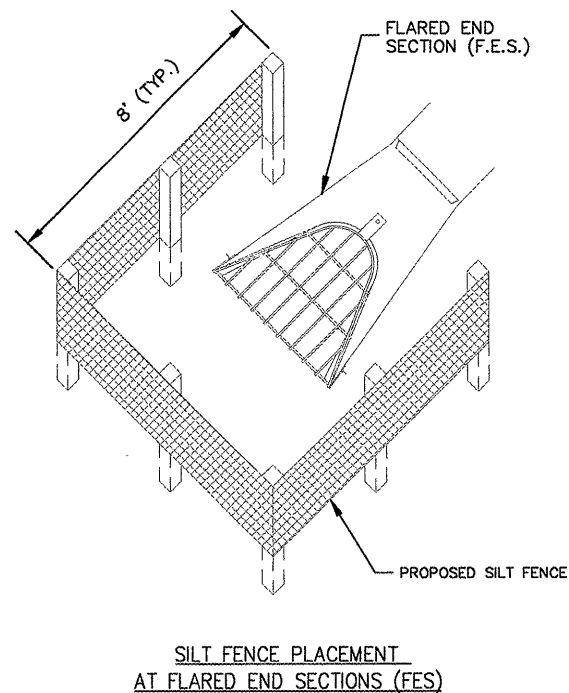
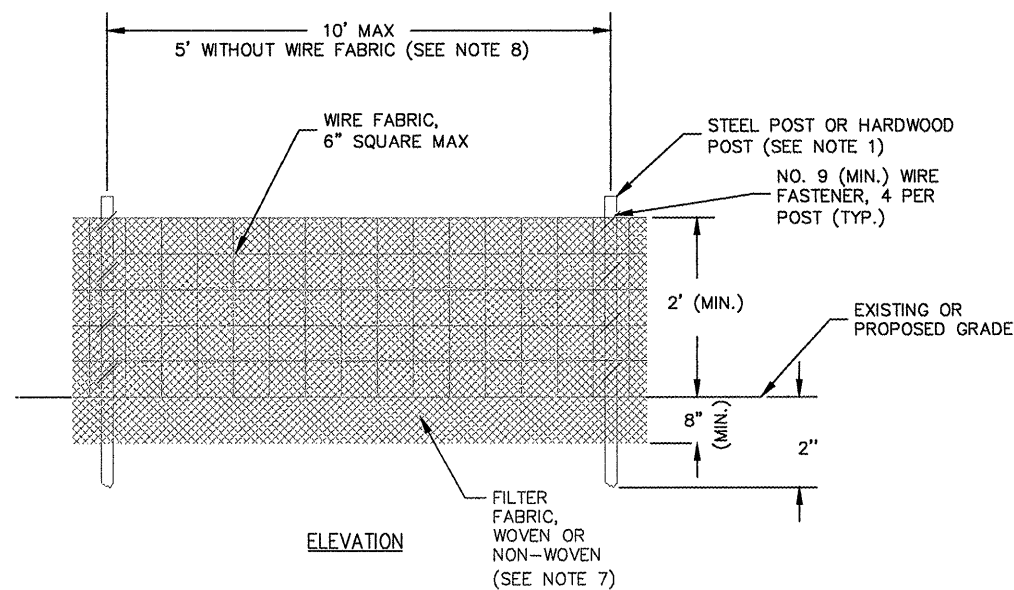


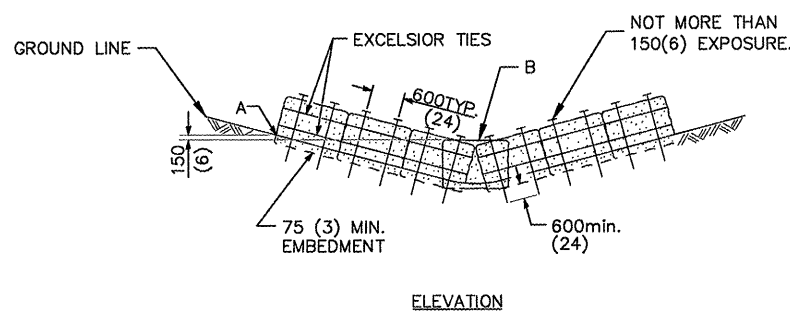
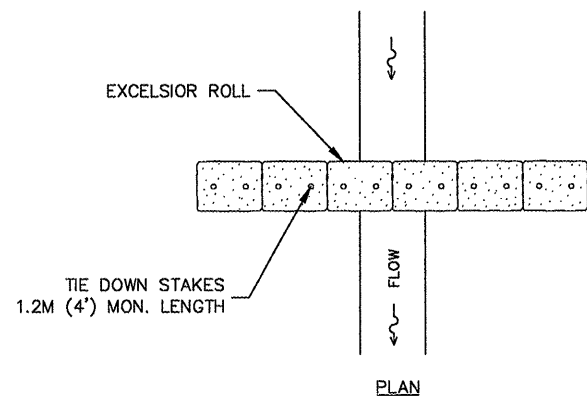
Hanson Professional Services Inc.
 Suite 200, 815 Commerce Drive
 Oak Brook, Illinois 60521
 © Copyright Hanson Professional Services Inc. 2008



INLET/F.E.S. PROTECTION DETAIL

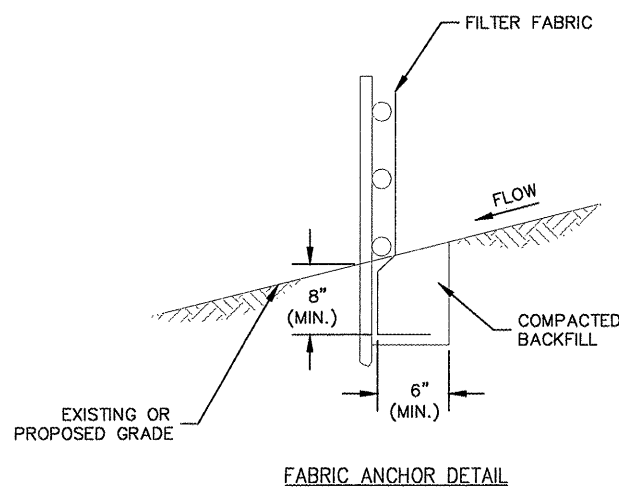
NOTES:

- FENCE POST SHALL BE EITHER STEEL "T" LINE POST OR HARDWOOD POST WITH A MINIMUM SECTIONAL AREA OF 3.0 SQUARE INCHES.
- TOP AND BOTTOM WIRE OF WIRE FABRIC SHALL BE MINIMUM GAGE NO. 9. INTERMEDIATE WIRES OF THE WIRE FABRIC SHALL BE MINIMUM GAGE NO. 11.
- WIRE FABRIC SHALL BE SECURELY FASTENED TO FENCE POSTS WITH NO. 9 GAGE WIRE MINIMUM. FOUR (4) FASTENERS PER POST REQUIRED.
- FILTER FABRIC SHALL BE SECURELY FASTENED TO WIRE FABRIC AND POSTS WITH TIES OR STAPLES SPACED AT 12" APART AT THE TOP, MIDDLE AND BOTTOM.
- WHEN TWO SECTIONS OF FILTER FABRIC MEET, THEY SHALL BE OVERLAPPED BY 6" AND FOLDED AND ATTACHED TO THE WIRE FABRIC AT A POST.
- MAINTENANCE SHALL BE PERFORMED AS NEEDED AND MATERIAL REMOVED AND REPLACED WHEN BULGES DEVELOP IN THE SILT FENCE.
- FILTER FABRIC SHALL BE IN ACCORDANCE WITH SPECIAL PROVISIONS WITH EQUIVALENT OPENING SIZE OF AT LEAST 30 FOR NONWOVEN AND 50 FOR WOVEN.
- WIRE FABRIC MAY BE OMITTED IF A MAXIMUM OF 5 FEET IS USED FOR POST-TO-POST SPACING.
- SILT FENCE SHALL BE INSTALLED PRIOR TO ANY GRADING WORK IN THE AREA TO BE PROTECTED. PERIODIC INSPECTION SHALL BE PERFORMED AND REQUIRED MAINTENANCE SHALL BE PROVIDED AFTER EACH RAIN EVENT.
- FENCE POSTS SHALL BE REMOVED WHEN DIRECTED AT PROJECT END.

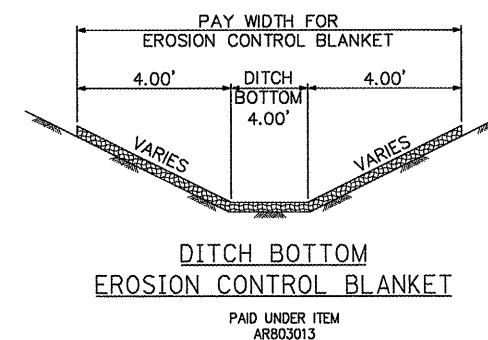


- NOTE:
 1. PT. A HIGHER THAN PT. B
 2. MINIMUM DIAMETER OF EXCELSIOR ROLL IS 24".

ROLLED EXCELSIOR FOR DITCH CHECK



SILT FENCE PLAN



FILE NAME =	USER NAME = B1a1n01219	DESIGNED - SJM	REVISED -	VILLAGE OF LAKE IN THE HILLS, ILLINOIS	PYOTT ROAD EROSION CONTROL DETAILS	COUNTY	TOTAL SHEETS	SHEET NO.
\\05jobs\02041\05b8021\civil part b\sheet\C-ERC5 Details.sht	DRAWN - SJM	REVISED -	MCHENRY			143	123	
PLOT SCALE = 2.0000' / IN.	CHECKED - BLB	REVISED -						
PLOT DATE = 02/25/2009, 11:43 AM	DATE - 05/21/08	REVISED -						
SCALE:						AIP NO. 3-17-0112-B10 ILLINOIS IDA NO. 3CK-3807		