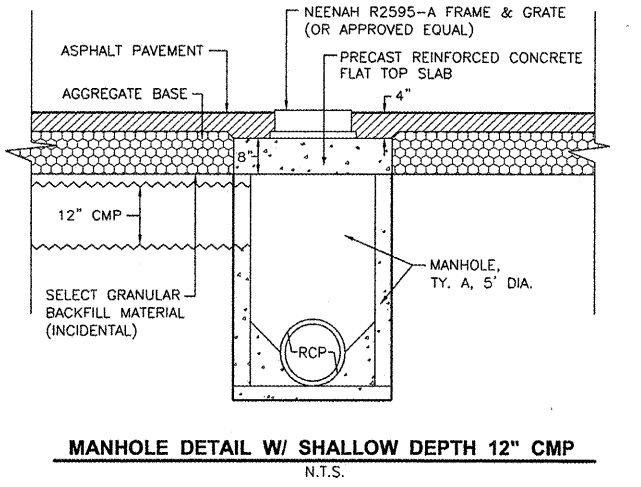
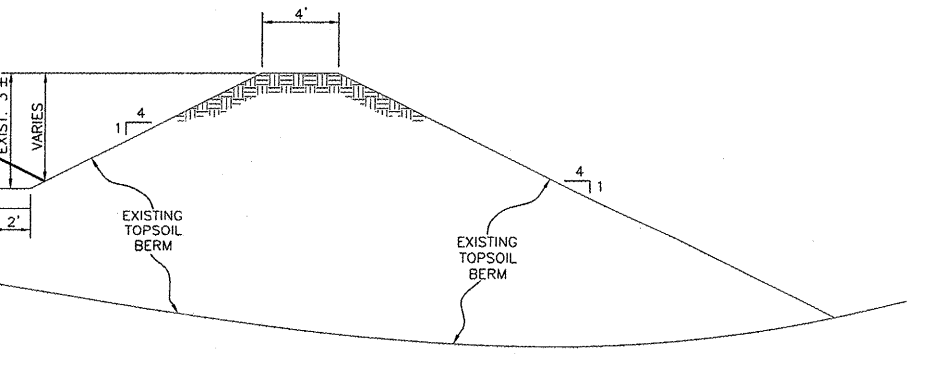
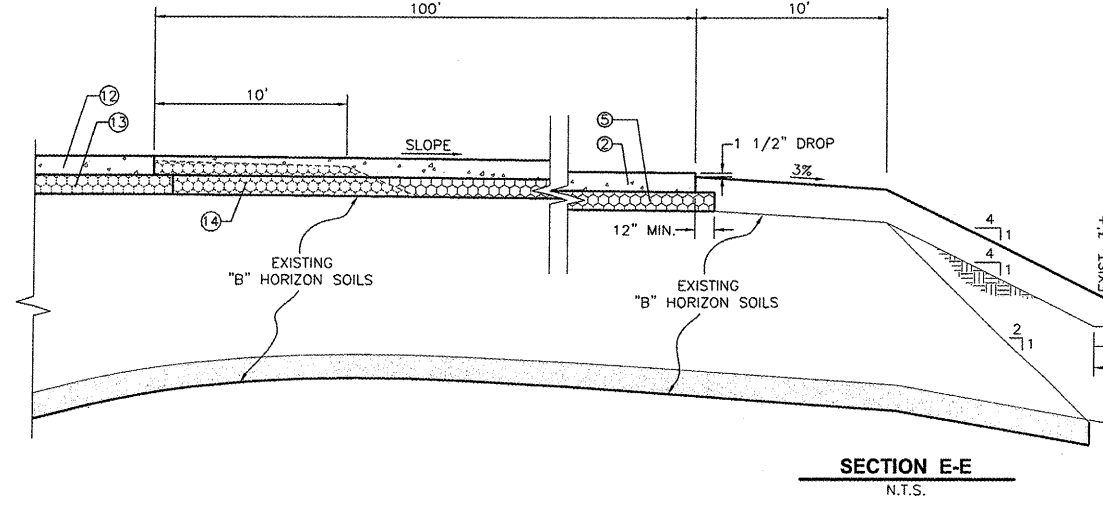
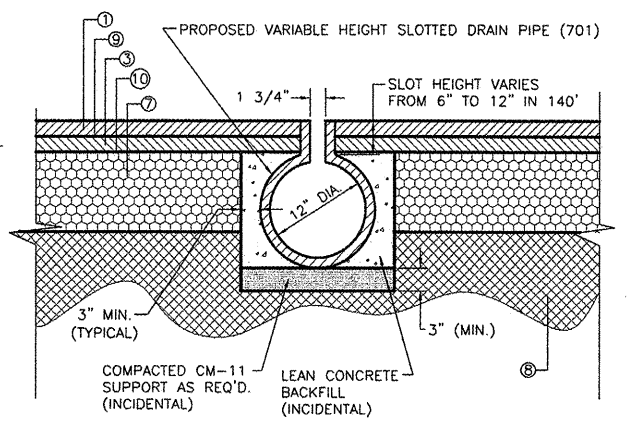
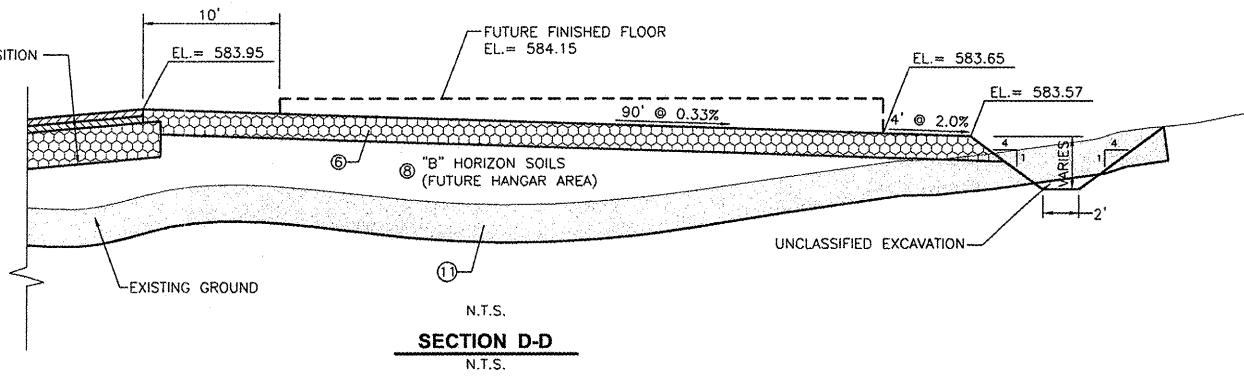
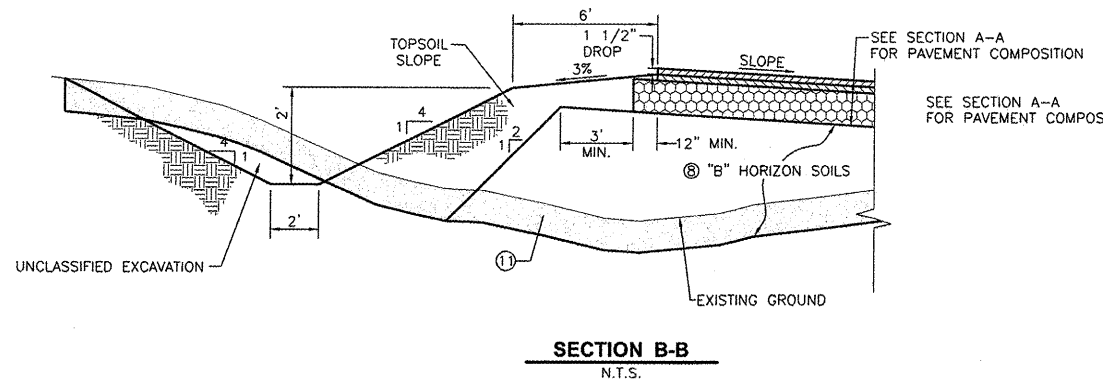
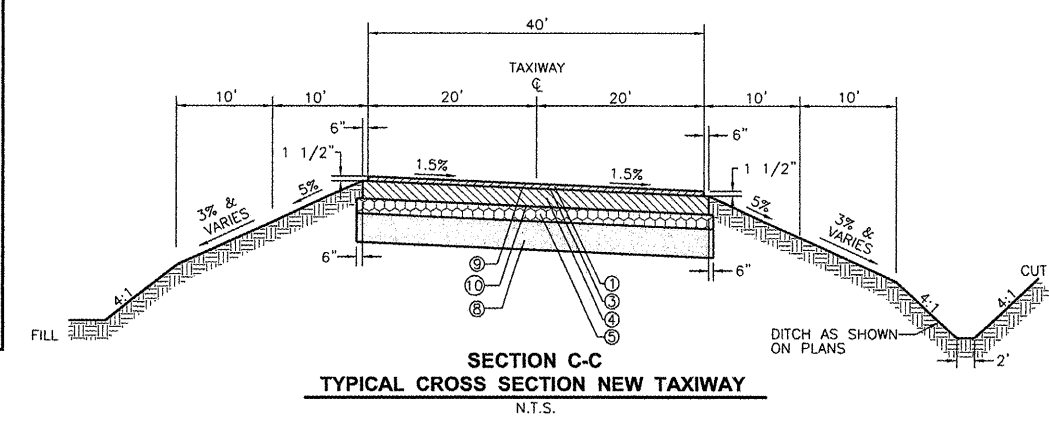


- ① PROPOSED BITUMINOUS SURFACE COURSE (401), 1 1/2" DEPTH.
- ② PROPOSED 6" P.C.C. PAVEMENT
- ③ PROPOSED BITUMINOUS BASE COURSE (201), 1 1/2" DEPTH.
- ④ PROPOSED BITUMINOUS BASE COURSE (201), 8" DEPTH.
- ⑤ PROPOSED CRUSHED AGGREGATE BASE COURSE (209), 6" DEPTH.
- ⑥ PROPOSED CRUSHED AGGREGATE BASE COURSE (209), 7" DEPTH.
- ⑦ PROPOSED CRUSHED AGGREGATE BASE COURSE (209), 8" DEPTH.
- ⑧ PROPOSED 12" MINIMUM HORIZON "B"
- ⑨ PROPOSED BITUMINOUS TACK COAT (603) 0.10 GAL. PER SQ. YD.
- ⑩ PROPOSED BITUMINOUS PRIME COAT (602) 0.375 GAL. PER SQ. YD.
- ⑪ TOPSOIL STRIPPING, 8" (PAID AS UNCLASSIFIED EXCAVATION)
- ⑫ EXISTING 6" P.C.C. PAVEMENT
- ⑬ EXISTING CRUSHED AGGREGATE BASE COURSE (209), 6" DEPTH
- ⑭ EXISTING CRUSHED AGGREGATE BASE COURSE SHOULDER



CHAMLIN & ASSOCIATES, INC. © 2009
 Drawing Name: G:\Users\11.0002-74-Morris-Report-Genesee-Airport-CAD\005-TYPICALS.dwg Last Modified: Feb. 09, 2009 - 2:28pm Plotted on: Feb. 10, 2009 - 10:41am by nickt

DRAWN BY: NET	REVISIONS			
CHECKED BY: KWH	LEVEL	BY	DATE	DESCRIPTION
DATE: 2/09				

CHAMLIN & ASSOCIATES
 PERU MORRIS ILLINOIS

MORRIS MUNICIPAL AIRPORT
 MORRIS, ILLINOIS

TYPICAL SECTIONS AND DETAILS
 CONSTRUCTION PLANS

CURRENT AS OF: 2/09	
SCALE: AS NOTED	SHEET 5
FILE NO.: 1002.74	OF 11