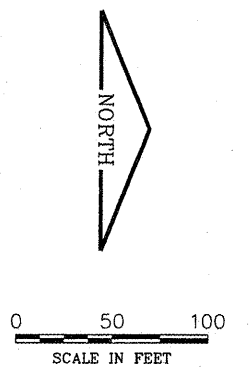
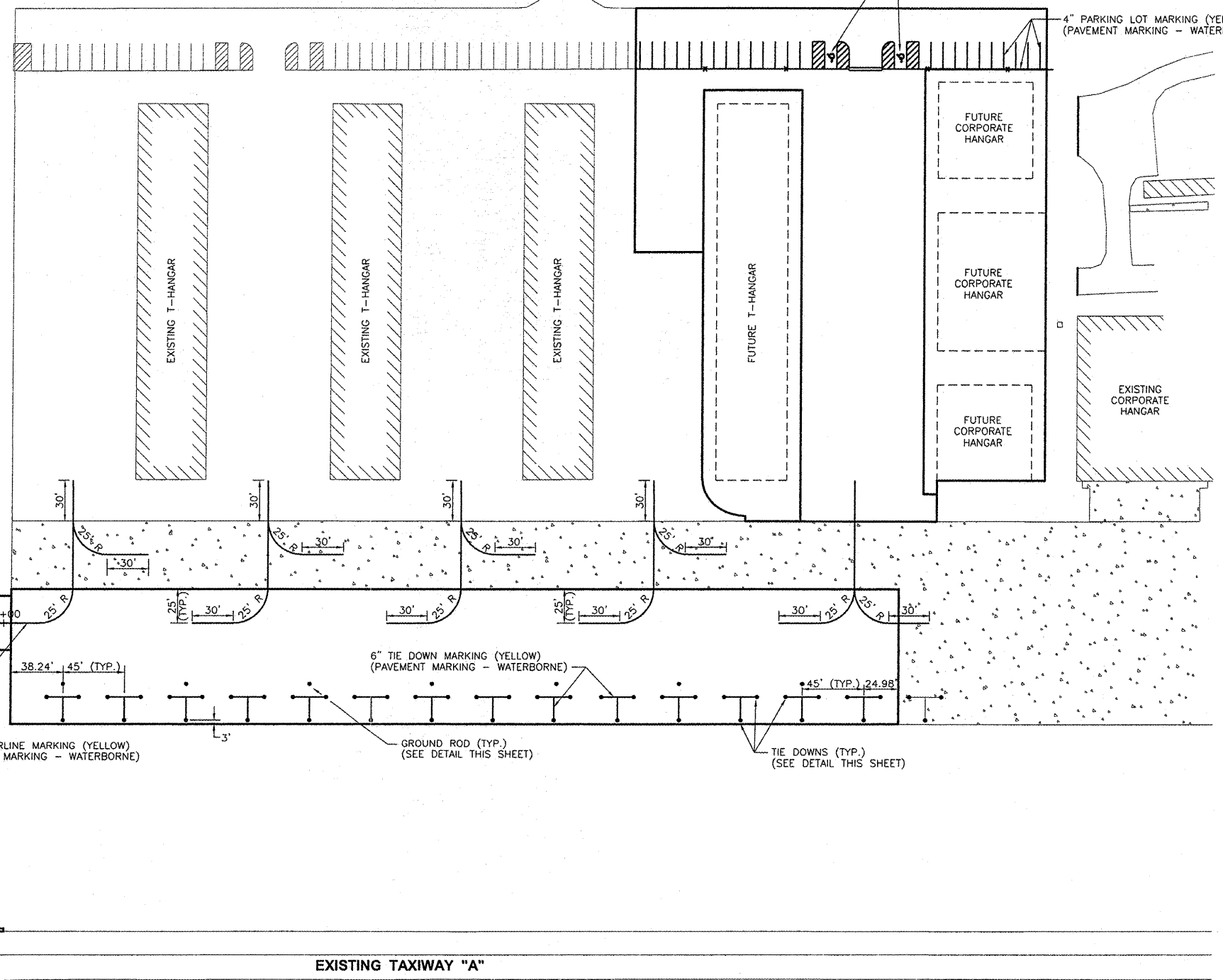
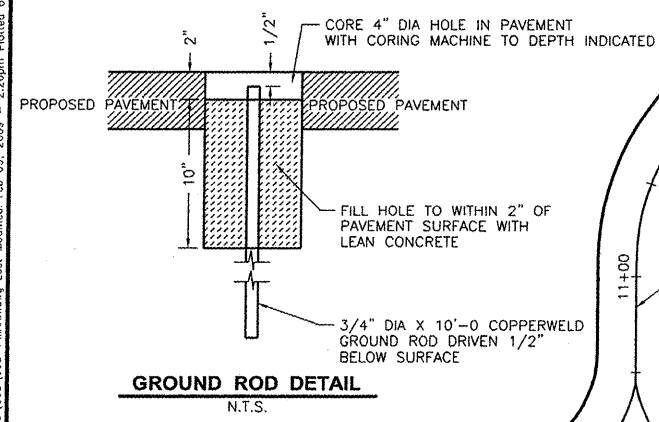
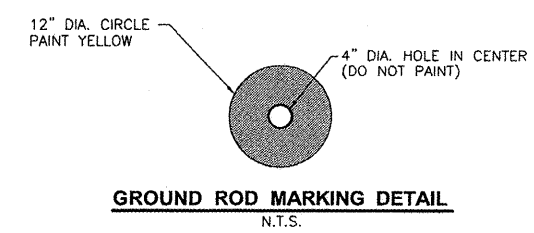
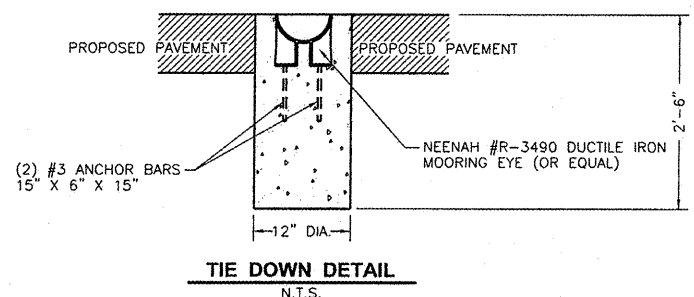
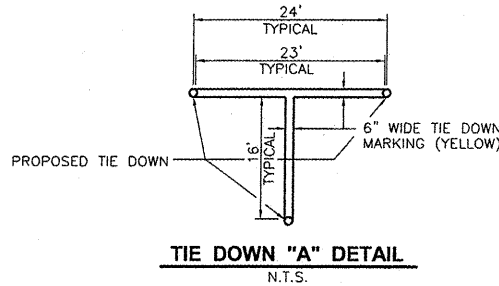


ILLINOIS ROUTE 47



CHAMBLIN & ASSOCIATES, INC. © 2008
 Drawing Name: C:\Users\jmt\Documents\Projects\2008\2008-02-02-04-Morris-Airport-General-Aviation-Aerona\CAD\CAD\008-PMARK-Plan-Details.dwg
 Date: 2/09
 2:26pm
 Plot on: Feb 10, 2009 - 10:11am by jmt

| DRAWN BY: JMT/NET | REVISIONS | | | |
|-------------------|-----------|----|------|-------------|
| | LEVEL | BY | DATE | DESCRIPTION |
| CHECKED BY: KWH | | | | |
| DATE: 2/09 | | | | |

CHAMBLIN & ASSOCIATES
PERU MORRIS
ILLINOIS

MORRIS MUNICIPAL AIRPORT
MORRIS, ILLINOIS

PAVEMENT MARKING PLAN & DETAILS

CONSTRUCTION PLANS

| | |
|----------------------|---------|
| CURRENT AS OF: 2/09 | |
| SCALE: AS NOTED | SHEET 8 |
| FILE NO.: 1002.74 Y- | OF 11 |