

RETURN WITH BID

LETTING DATE April 24, 2009

ITEM NUMBER 22A

Proposal Submitted By

Name _____

Address _____

City/State _____

9 Digit Zip Code _____ Telephone Number _____

FEIN Number _____ FAX Number _____

E-Mail Address _____

BIDDERS NEED NOT RETURN THE ENTIRE PROPOSAL
(See instructions inside front cover)

NOTICE TO PROSPECTIVE BIDDERS

This proposal can be used for bidding purposes by only those companies that request and receive written AUTHORIZATION TO BID from IDOT's Central Bureau of Construction.
(SEE INSTRUCTIONS ON THE INSIDE OF COVER)

PROPOSAL COVER SHEET



Illinois Department of Transportation
DIVISION OF AERONAUTICS

AIRPORT Chicago Rockford International

MUNICIPAL DESIGNATION Rockford

COUNTY DESIGNATION Winnebago

ILLINOIS PROJECT NO. RFD-3862

FEDERAL PROJECT NO. 3-17-0088-XX

For engineering information, contact Jeff Plapp of Crawford, Murphy & Tilly, Inc. at (815) 397-7088.

FAA rules prohibit the use of escalation clauses for materials. Therefore, the Division of Aeronautics cannot offer a bituminous material cost adjustment provision for projects utilizing federal funds.

PLEASE MARK THE APPROPRIATE BOX BELOW:

- A Bid Bond is included.
- A Cashier's Check or a Certified Check is included.

INSTRUCTIONS

ABOUT IDOT PROPOSALS: All proposals issued by IDOT are potential bidding proposals. Each proposal contains all Certifications and Affidavits, a Proposal Signature Sheet and a Proposal Bid Bond required for Prime Contractors to submit a bid after written **Authorization to Bid** has been issued by IDOT's Central Bureau of Construction.

HOW MANY PROPOSALS SHOULD PROSPECTIVE BIDDERS REQUEST?: Prospective bidders should, prior to submitting their initial request for plans and proposals, determine their needs and request the total number of plans and proposals needed for each item requested. There will be a nonrefundable charge of \$15 for each set of plans and specifications issued.

WHO CAN BID?: Bids will be accepted from only those companies that request and receive written **Authorization to Bid** from IDOT's Central Bureau of Construction.

WHAT CONSTITUTES WRITTEN AUTHORIZATION TO BID?: When a prospective prime bidder submits a "Request for Proposal Forms and Plans" he/she must indicate at that time which items are being requested For Bidding purposes. Only those items requested For Bidding will be analyzed. After the request has been analyzed, the bidder will be issued a **Proposal Denial and/or Authorization Form**, approved by the Central Bureau of Construction, that indicates which items have been approved For Bidding. If **Authorization to Bid** cannot be approved, the **Proposal Denial and/or Authorization Form** will indicate the reason for denial. If a contractor has requested to bid but has not received a **Proposal Denial and/or Authorization Form**, they should contact the Central Bureau of Construction in advance of the letting date.

WHAT MUST BE INCLUDED WHEN BIDS ARE SUBMITTED?: Bidders need not return the entire proposal when bids are submitted. That portion of the proposal that must be returned includes the following:

1. All documents from the Proposal Cover Sheet through the Proposal Bid Bond
2. Other special documentation and/or information that may be required by the contract special provisions

All proposal documents, including Proposal Guaranty Checks or Proposal Bid Bonds, should be stapled together to prevent loss when bids are processed by IDOT personnel.

ABOUT SUBMITTING BIDS: It is recommended that bidders deliver bids in person to insure they arrive at the proper location prior to the time specified for the receipt of bids. Any bid received at the place of letting after the time specified will not be accepted.

WHO SHOULD BE CALLED IF ASSISTANCE IS NEEDED?

Questions Regarding	Call
Prequalification and/or Authorization to Bid	217/782-3413
Preparation and submittal of bids	217/782-7806
Mailing of plans and proposals	217/782-7806



PROPOSAL

1. Proposal of _____

for the improvement officially known as:

- (a) Chicago Rockford International Airport
- (b) The proposed improvement shown in detail on the plans issued by the Department schedule and detail sheets included herein, includes, in general, the following described work:

Rehabilitate Taxiway B (South) – Phase 1

TO THE DEPARTMENT OF TRANSPORTATION

2. The plans for the proposed work are those issued by the Department of Transportation to cover the work described above.

The specifications are those prepared by the Department of Transportation, Division of Aeronautics and designated as “Standard Specifications for Construction of Airports,” adopted January, 1985, the “Supplemental Specifications and Recurring Special Provisions,” adopted July 1, 2004 and the “Special Provisions” thereto, adopted and in effect on the date of invitation for bids.

3. **COMPLETION TIME/LIQUIDATED DAMAGES.** It being understood and agreed that the completion within the time limit is an essential part of the contract, the bidder agrees to complete the Base Bid work within 89 calendar days, unless additional time is granted by the Engineer in accordance with the provisions of the specifications. If Additive Alternate No. 1 is awarded, there will be no additional calendar days awarded. If Additive Alternate No. 2 is awarded, an additional 16 calendar days will be awarded. If Additive Alternate No. 3 is awarded, an additional 10 calendar days will be awarded. In case of failure to complete the work on or before the time named herein, or within such extra time as may have been allowed by extensions, the bidder agrees that the Department of Transportation shall withhold from such sum as may be due him/her under the terms of this contract, the costs, as set forth below, which costs shall be considered and treated not as a penalty but as damages due to the State from the bidder by reason of the failure of the bidder to complete the work within the time specified in the contract. The following Schedule of Deductions supersedes the table given in Section 60-09 of the Division’s Standard Specifications for Construction of Airports.

Schedule of Deductions for Each Day of Overrun in Contract Time

<u>Original Contract Amount</u>		<u>Daily Charge</u>
<u>From More Than</u>	<u>To and Including</u>	<u>Calendar Day</u>
\$ 0	\$ 25,000	\$ 300
25,000	100,000	375
100,000	500,000	550
500,000	1,000,000	725
1,000,000	2,000,000	900
2,000,000	3,000,000	1,100
3,000,000	5,000,000	1,300
5,000,000	7,500,000	1,450
7,500,000	10,000,000	1,650

A daily charge shall be made for every day shown on the calendar beyond the specified contract time in calendar days.

RETURN WITH BID

4. **ASSURANCE OF EXAMINATION AND INSPECTION/WAIVER.** The undersigned further declares that he/she has carefully examined the proposal, plans, specifications, supplemental and applicable recurring special provisions, form of contract and contract bonds, and special provisions, and that he/she has inspected in detail the site of the proposed work, and that he/she has familiarized themselves with all of the local conditions affecting the contract and the detailed requirements of construction, and understands that in making this proposal he/she waives all right to plead any misunderstanding regarding the same.

5. **EXECUTION OF CONTRACT AND CONTRACT BONDS.** The undersigned further agrees to execute a contract for this work and present the same to the department within fifteen (15) days after the contract has been mailed to him/her. The undersigned further agrees that he/she and his/her surety will execute and present within fifteen (15) days after the contract has been mailed to him/her contract bonds satisfactory to and in the form prescribed by the Department of Transportation, in the penal sum of the full amount of the contract, guaranteeing the faithful performance of the work in accordance with the terms of the contract and guaranteeing payment in full all bills and accounts for materials and labor used in the construction of the work.

6. **PROPOSAL GUARANTY.** Accompanying this proposal is either a bid bond on the department form, executed by a corporate surety company satisfactory to the department, or a proposal guaranty check consisting of a bank cashier's check or a properly certified check for not less than 5 per cent of the amount bid or for the amount specified in the following schedule:

<u>Amount of Bid</u>	<u>Proposal Guaranty</u>	<u>Amount of Bid</u>	<u>Proposal Guaranty</u>
Up to \$5,000	to \$150	\$2,000,000	to \$100,000
\$5,000	to \$300	\$3,000,000	to \$150,000
\$10,000	to \$1,000	\$5,000,000	to \$250,000
\$50,000	to \$3,000	\$7,500,000	to \$400,000
\$100,000	to \$5,000	\$10,000,000	to \$500,000
\$150,000	to \$7,500	\$15,000,000	to \$600,000
\$250,000	to \$12,500	\$20,000,000	to \$700,000
\$500,000	to \$25,000	\$25,000,000	to \$800,000
\$1,000,000	to \$50,000	\$30,000,000	to \$900,000
\$1,500,000	to \$75,000	over	\$35,000,000
			\$1,000,000

Bank cashier's checks or properly certified checks accompanying proposals shall be made payable to the Treasurer, State of Illinois, when the state is awarding authority; the county treasurer, when a county is the awarding authority; or the city, village, or town treasurer, when a city, village, or town is the awarding authority.

If a combination bid is submitted, the proposal guaranties which accompany the individual proposals making up the combination will be considered as also covering the combination bid.

The amount of the proposal guaranty check is _____ \$(_____). If this proposal is accepted and the undersigned shall fail to execute contract bonds as required herein, it is hereby agreed that the amount of the proposal guaranty shall become the property of the State of Illinois, and shall be considered as payment of damages due to delay and other causes suffered by the State because of the failure to execute said contract and contract bonds; otherwise, the bid bond shall become void or the proposal guaranty check shall be returned to the undersigned.

RETURN WITH BID

(e) The plans and Special Provisions for each separate contract shall be construed separately for all requirements, except as described in paragraphs (a) through (d) listed above.

When a combination bid is submitted, the schedule below must be completed in each proposal comprising the combination.

If alternate bids are submitted for one or more of the sections comprising the combination, a combination bid must be submitted for each alternate.

Schedule of Combination Bids

Combination No.	Sections Included in Combination	Combination Bid	
		Dollars	Cents

8. **SCHEDULE OF PRICES.** The undersigned submits herewith his/her schedule of prices covering the work to be performed under this contract; he/she understands that he/she must show in the schedule the unit prices (with no more than two decimal places, i.e. \$25.35, not \$25.348) for which he/she proposes to perform each item of work, that the extensions must be made by him/her, and that if not so done his/her proposal may be rejected as irregular.

The undersigned further agrees that the unit prices submitted herewith are for the purpose of obtaining a gross sum, and for use in computing the value of additions and deductions; that if there is a discrepancy between the gross sum bid and that resulting from the summation of the quantities multiplied by their respective unit prices, the latter shall govern.

STATE JOB #- - - -

ILLINOIS DEPARTMENT OF TRANSPORTATION
 SCHEDULE OF PRICES
 CONTRACT NUMBER - R0016

ECMS002 DTGECM03 ECMR003 PAGE 1
 RUN DATE - 03/31/09
 RUN TIME - 183258

COUNTY NAME	CODE	DIST	AIRPORT NAME	FED PROJECT	ILL PROJECT
WINNEBAGO	201	02	CHICAGO ROCKFORD INTERNATIONAL	3-17-0088-XX	RF-D - 3862

***** BASE *****

ITEM NUMBER	PAY ITEM DESCRIPTION	UNIT OF MEASURE	QUANTITY	UNIT PRICE		TOTAL PRICE	
				DOLLARS	CENTS	DOLLARS	CTS
AR108108	1/C #8 5 KV UG CABLE	L.F.	7,065.000 X		=		
AR108158	1/C #8 5 KV UG CABLE IN UD	L.F.	1,502.000 X		=		
AR110212	2" STEEL DUCT, DIRECT BURY	L.F.	6,729.000 X		=		
AR110550	SPLIT DUCT	L.F.	350.000 X		=		
AR125415	MITL-BASE MOUNTED	EACH	84.000 X		=		
AR125441	TAXI GUIDANCE SIGN, 1 CHARACTER	EACH	1.000 X		=		
AR125442	TAXI GUIDANCE SIGN, 2 CHARACTER	EACH	1.000 X		=		
AR125445	TAXI GUIDANCE SIGN, 5 CHARACTER	EACH	1.000 X		=		
AR125446	TAXI GUIDANCE SIGN, 6 CHARACTER	EACH	2.000 X		=		
AR125448	TAXI GUIDANCE SIGN, 8 CHARACTER	EACH	2.000 X		=		
AR125902	REMOVE BASE MOUNTED LIGHT	EACH	78.000 X		=		
AR125904	REMOVE TAXI GUIDANCE SIGN	EACH	6.000 X		=		
AR125922	REPLACE BASE MOUNTED LIGHT	EACH	2.000 X		=		
AR150510	ENGINEER'S FIELD OFFICE	L.S.	1.000 X		=		
AR150515	FIELD LABORATORY	L.S.	1.000 X		=		

CHICAGO ROCKFORD INTERNATIONAL
WINNEBAGO

ILLINOIS DEPARTMENT OF TRANSPORTATION
SCHEDULE OF PRICES
CONTRACT NUMBER - R0016

ECMS002 DTGECM03 ECMR003 PAGE 2
RUN DATE - 03/31/09
RUN TIME - 183258

ITEM NUMBER	PAY ITEM DESCRIPTION	UNIT OF MEASURE	QUANTITY	UNIT PRICE		TOTAL PRICE	
				DOLLARS	CENTS	DOLLARS	CTS
AR150520	MOBILIZATION	L.S.	1.000	X	=		
AR150540	HAUL ROUTE	L.S.	1.000	X	=		
AR152410	UNCLASSIFIED EXCAVATION	C.Y.	1,608.000	X	=		
AR152540	SOIL STABILIZATION FABRIC	S.Y.	6,372.000	X	=		
AR156510	SILT FENCE	L.F.	1,600.000	X	=		
AR156512	BALES	EACH	72.000	X	=		
AR208515	POROUS GRANULAR EMBANKMENT	C.Y.	80.000	X	=		
AR209611	CRUSHED AGGREGATE BASE COURSE-11"	S.Y.	21,465.000	X	=		
AR401610	BITUMINOUS SURFACE COURSE	TON	9,090.000	X	=		
AR401630	BITUMINOUS SURFACE TEST SECTION	EACH	1.000	X	=		
AR401650	BITUMINOUS PAVEMENT MILLING	S.Y.	39,767.000	X	=		
AR401655	BUTT JOINT CONSTRUCTION	S.Y.	800.000	X	=		
AR501515	15" PCC PAVEMENT	S.Y.	23,907.000	X	=		
AR501530	PCC TEST BATCH	EACH	1.000	X	=		
AR602510	BITUMINOUS PRIME COAT	GAL.	6,213.000	X	=		

CHICAGO ROCKFORD INTERNATIONAL
WINNEBAGO

ILLINOIS DEPARTMENT OF TRANSPORTATION
SCHEDULE OF PRICES
CONTRACT NUMBER - R0016

ECMS002 DTGECM03 ECMR003 PAGE 3
RUN DATE - 03/31/09
RUN TIME - 183258

ITEM NUMBER	PAY ITEM DESCRIPTION	UNIT OF MEASURE	QUANTITY	UNIT PRICE		TOTAL PRICE	
				DOLLARS	CENTS	DOLLARS	CTS
AR603510	BITUMINOUS TACK COAT	GAL.	3,950.000 X		=		
AR620520	PAVEMENT MARKING-WATERBORNE	S.F.	19,680.000 X		=		
AR620525	PAVEMENT MARKING-BLACK BORDER	S.F.	18,732.000 X		=		
AR800816	L-804 RGL ELEVATED, BASE MOUNTED	EACH	2.000 X		=		
AR800817	AGGREGATE DRAINAGE DITCH	L.F.	200.000 X		=		
AR800863	ADJUST MONITORING WELL	EACH	2.000 X		=		
AR800868	SOIL GUARD	S.Y.	25,562.000 X		=		
AR901510	SEEDING	ACRE	5.300 X		=		
AR905520	TOPSOILING (FROM OFF SITE)	C.Y.	1,023.000 X		=		
AR910400	GUARD RAIL	L.F.	30.000 X		=		

SUBTOTAL BASE \$

--	--

***THE DEPARTMENT RESERVES THE RIGHT TO AWARD THIS CONTRACT ON THE
***BASIS OF ANY OF THE ALTERNATES OR COMBINATION THEREOF.

CHICAGO ROCKFORD INTERNATIONAL
WINNEBAGO

ILLINOIS DEPARTMENT OF TRANSPORTATION
SCHEDULE OF PRICES
CONTRACT NUMBER - R0016

ECMS002 DTGECM03 ECMR003 PAGE 4
RUN DATE - 03/31/09
RUN TIME - 183258

***** ALT 1 *****

ITEM NUMBER	PAY ITEM DESCRIPTION	UNIT OF MEASURE	QUANTITY	UNIT PRICE		TOTAL PRICE	
				DOLLARS	CENTS	DOLLARS	CTS
AS152410	UNCLASSIFIED EXCAVATION	C.Y.	1,966.000 X			=	
AS152540	SOIL STABILIZATION FABRIC	S.Y.	8,520.000 X			=	
AS156540	RIPRAP	S.Y.	285.000 X			=	
AS208515	POROUS GRANULAR EMBANKMENT	C.Y.	100.000 X			=	
AS209608	CRUSHED AGGREGATE BASE COURSE - 8	S.Y.	8,520.000 X			=	
AS401610	BITUMINOUS SURFACE COURSE	TON	2,130.000 X			=	
AS602510	BITUMINOUS PRIME COAT	GAL.	2,530.000 X			=	
AS603510	BITUMINOUS TACK COAT	GAL.	965.000 X			=	
AS620520	PAVEMENT MARKING-WATERBORNE	S.F.	732.000 X			=	
AS701218	18" CMP	L.F.	102.000 X			=	
AS752218	METAL END SECTION 18"	EACH	6.000 X			=	
AS800868	SOIL GUARD	S.Y.	11,500.000 X			=	
AS901510	SEEDING	ACRE	2.400 X			=	
AS905520	TOPSOILING (FROM OFF SITE)	C.Y.	100.000 X			=	
				SUBTOTAL ALT 1		\$	

CHICAGO ROCKFORD INTERNATIONAL
WINNEBAGO

ILLINOIS DEPARTMENT OF TRANSPORTATION
SCHEDULE OF PRICES
CONTRACT NUMBER - R0016

ECMS002 DTGECM03 ECMR003 PAGE 5
RUN DATE - 03/31/09
RUN TIME - 183258

***** ALT 2 *****

ITEM NUMBER	PAY ITEM DESCRIPTION	UNIT OF MEASURE	QUANTITY	UNIT PRICE		TOTAL PRICE	
				DOLLARS	CENTS	DOLLARS	CTS
AT108108	1/C #8 5 KV UG CABLE	L.F.	767.000 X		=		
AT108158	1/C #8 5 KV UG CABLE IN UD	L.F.	1,570.000 X		=		
AT110212	2" STEEL DUCT, DIRECT BURY	L.F.	730.000 X		=		
AT110550	SPLIT DUCT	L.F.	160.000 X		=		
AT125415	MITL-BASE MOUNTED	EACH	12.000 X		=		
AT125442	TAXI GUIDANCE SIGN, 2 CHARACTER	EACH	2.000 X		=		
AT125445	TAXI GUIDANCE SIGN, 5 CHARACTER	EACH	1.000 X		=		
AT125902	REMOVE BASE MOUNTED LIGHT	EACH	15.000 X		=		
AT125904	REMOVE TAXI GUIDANCE SIGN	EACH	3.000 X		=		
AT125922	REPLACE BASE MOUNTED LIGHT	EACH	4.000 X		=		
AT152410	UNCLASSIFIED EXCAVATION	C.Y.	210.000 X		=		
AT152540	SOIL STABILIZATION FABRIC	S.Y.	825.000 X		=		
AT208515	POROUS GRANULAR EMBANKMENT	C.Y.	11.000 X		=		
AT209611	CRUSHED AGG. BASE COURSE - 11"	S.Y.	2,850.000 X		=		
AT401610	BITUMINOUS SURFACE COURSE	TON	1,450.000 X		=		

CHICAGO ROCKFORD INTERNATIONAL
WINNEBAGO

ILLINOIS DEPARTMENT OF TRANSPORTATION
SCHEDULE OF PRICES
CONTRACT NUMBER - R0016

ECMS002 DTGECM03 ECMR003 PAGE 6
RUN DATE - 03/31/09
RUN TIME - 183258

ITEM NUMBER	PAY ITEM DESCRIPTION	UNIT OF MEASURE	QUANTITY	UNIT PRICE		TOTAL PRICE	
				DOLLARS	CENTS	DOLLARS	CTS
AT401650	BITUMINOUS PAVEMENT MILLING	S.Y.	6,493.000 X		=		
AT401655	BUTT JOINT CONSTRUCTION	S.Y.	255.000 X		=		
AT602510	BITUMINOUS PRIME COAT	GAL.	838.000 X		=		
AT603510	BITUMINOUS TACK COAT	GAL.	1,095.000 X		=		
AT620520	PAVEMENT MARKING - WATERBORNE	S.F.	3,540.000 X		=		
AT620525	PAVEMENT MARKING - BLACK BORDER	S.F.	3,160.000 X		=		
AT800816	L-804 RGL ELEVATED, BASE MOUNTED	EACH	2.000 X		=		
AT800868	SOIL GUARD	S.Y.	2,832.000 X		=		
AT901510	SEEDING	ACRE	0.600 X		=		
AT905520	TOPSOILING (FROM OFF SITE)	C.Y.	100.000 X		=		

SUBTOTAL ALT 2 \$

--	--

CHICAGO ROCKFORD INTERNATIONAL
WINNEBAGO

ILLINOIS DEPARTMENT OF TRANSPORTATION
SCHEDULE OF PRICES
CONTRACT NUMBER - R0016

ECMS002 DTGECM03 ECMR003 PAGE 7
RUN DATE - 03/31/09
RUN TIME - 183258

***** ALT 3 *****

ITEM NUMBER	PAY ITEM DESCRIPTION	UNIT OF MEASURE	QUANTITY	UNIT PRICE		TOTAL PRICE	
				DOLLARS	CENTS	DOLLARS	CTS
AU108108	1/C #8 5 KV UG CABLE	L.F.	590.000 X		=		
AU108158	1/C #8 5 KV UG CABLE IN UD	L.F.	635.000 X		=		
AU110212	2" STEEL DUCT, DIRECT BURY	L.F.	562.000 X		=		
AU110552	EXTEND 2-WAY DUCT	L.F.	120.000 X		=		
AU152410	UNCLASSIFIED EXCAVATION	C.Y.	1,006.000 X		=		
AU152540	SOIL STABILIZATION FABRIC	S.Y.	5,113.000 X		=		
AU208515	POROUS GRANULAR EMBANKMENT	C.Y.	50.000 X		=		
AU209611	CRUSHED AGG. BASE COURSE - 11"	S.Y.	3,415.000 X		=		
AU401610	BITUMINOUS SURFACE COURSE	TON	2,035.000 X		=		
AU401655	BUTT JOINT CONSTRUCTION	S.Y.	248.000 X		=		
AU602510	BITUMINOUS PRIME COAT	GAL.	1,475.000 X		=		
AU603510	BITUMINOUS TACK COAT	GAL.	725.000 X		=		
AU620520	PAVEMENT MARKING - WATERBORNE	S.F.	1,280.000 X		=		
AU620525	PAVEMENT MARKING - BLACK BORDER	S.F.	1,925.000 X		=		
AU800868	SOIL GUARD	S.Y.	3,565.000 X		=		

ITEM NUMBER	PAY ITEM DESCRIPTION	UNIT OF MEASURE	QUANTITY	UNIT PRICE		TOTAL PRICE	
				DOLLARS	CENTS	DOLLARS	CTS
AU901510	SEEDING	ACRE	0.750 X			=	
AU905520	TOPSOILING (FROM OFF SITE)	C.Y.	100.000 X			=	

SUBTOTAL ALT 3 \$

CONTRACT - R0016

SUMMARY OF TOTAL ALTERNATES		
	DOLLARS	CTS
TOTAL BASE	\$	
TOTAL ALT 1	\$	
TOTAL ALT 2	\$	
TOTAL ALT 3	\$	

NOTE:

1. EACH PAY ITEM SHOULD HAVE A UNIT PRICE AND A TOTAL PRICE.
2. THE UNIT PRICE SHALL GOVERN IF NO TOTAL PRICE IS SHOWN OR IF THERE IS A DISCREPANCY BETWEEN THE PRODUCT OF THE UNIT PRICE MULTIPLIED BY THE QUANTITY.
3. IF A UNIT PRICE IS OMITTED, THE TOTAL PRICE WILL BE DIVIDED BY THE QUANTITY IN ORDER TO ESTABLISH A UNIT PRICE.
4. A BID MAY BE DECLARED UNACCEPTABLE IF NEITHER A UNIT PRICE NOR A TOTAL PRICE IS SHOWN.

RETURN WITH BID

THE PRECEDING SCHEDULE OF PRICES MUST BE

COMPLETED AND RETURNED.

RETURN WITH BID

**STATE REQUIRED ETHICAL
STANDARDS GOVERNING CONTRACT
PROCUREMENT: ASSURANCES, CERTIFICATIONS
AND DISCLOSURES**

I. GENERAL

A. Article 50 of the Illinois Procurement Code establishes the duty of all State chief procurement officers, State purchasing officers, and their designees to maximize the value of the expenditure of public moneys in procuring goods, services, and contracts for the State of Illinois and to act in a manner that maintains the integrity and public trust of State government. In discharging this duty, they are charged by law to use all available information, reasonable efforts, and reasonable actions to protect, safeguard, and maintain the procurement process of the State of Illinois.

B. In order to comply with the provisions of Article 50 and to carry out the duty established therein, all bidders are to adhere to ethical standards established for the procurement process, and to make such assurances, disclosures and certifications required by law. By execution of the Proposal Signature Sheet, the bidder indicates that each of the mandated assurances has been read and understood, that each certification is made and understood, and that each disclosure requirement has been understood and completed.

C. In addition to all other remedies provided by law, failure to comply with any assurance, failure to make any disclosure or the making of a false certification shall be grounds for termination of the contract and the suspension or debarment of the bidder.

II. ASSURANCES

A. The assurances hereinafter made by the bidder are each a material representation of fact upon which reliance is placed should the Department enter into the contract with the bidder. The Department may terminate the contract if it is later determined that the bidder rendered a false or erroneous assurance, and the surety providing the performance bond shall be responsible for the completion of the contract.

B. Felons

1. The Illinois Procurement Code provides:

Section 50-10. Felons. Unless otherwise provided, no person or business convicted of a felony shall do business with the State of Illinois or any state agency from the date of conviction until 5 years after the date of completion of the sentence for that felony, unless no person held responsible by a prosecutorial office for the facts upon which the conviction was based continues to have any involvement with the business.

2. The bidder assures the Department that the award and execution of the contract would not cause a violation of Section 50-10.

C. Conflicts of Interest

1. The Illinois Procurement Code provides in pertinent part:

Section 50-13. Conflicts of Interest.

(a) Prohibition. It is unlawful for any person holding an elective office in this State, holding a seat in the General Assembly, or appointed to or employed in any of the offices or agencies of state government and who receives compensation for such employment in excess of 60% of the salary of the Governor of the State of Illinois, or who is an officer or employee of the Capital Development Board or the Illinois Toll Highway Authority, or who is the spouse or minor child of any such person to have or acquire any contract, or any direct pecuniary interest in any contract therein, whether for stationery, printing, paper, or any services, materials, or supplies, that will be wholly or partially satisfied by the payment of funds appropriated by the General Assembly of the State of Illinois or in any contract of the Capital Development Board or the Illinois Toll Highway authority.

(b) Interests. It is unlawful for any firm, partnership, association or corporation, in which any person listed in subsection (a) is entitled to receive (i) more than 7 1/2% of the total distributable income or (ii) an amount in excess of the salary of the Governor, to have or acquire any such contract or direct pecuniary interest therein.

(c) Combined interests. It is unlawful for any firm, partnership, association, or corporation, in which any person listed in subsection (a) together with his or her spouse or minor children is entitled to receive (i) more than 15%, in the aggregate, of the total distributable income or (ii) an amount in excess of 2 times the salary of the Governor, to have or acquire any such contract or direct pecuniary interest therein.

(d) Securities. Nothing in this Section invalidates the provisions of any bond or other security previously offered or to be offered for sale or sold by or for the State of Illinois.

(e) Prior interests. This Section does not affect the validity of any contract made between the State and an officer or employee of the State or member of the General Assembly, his or her spouse, minor child or any combination of those persons if that contract was in existence before his or her election or employment as an officer, member, or employee. The contract is voidable, however, if it cannot be completed within 365 days after the officer, member, or employee takes office or is employed.

The current salary of the Governor is \$150,700.00. Sixty percent of the salary is \$90,420.00.

2. The bidder assures the Department that the award and execution of the contract would not cause a violation of Section 50-13, or that an effective exemption has been issued by the Board of Ethics to any individual subject to the Section 50-13 prohibitions pursuant to the provisions of Section 50-20 of the Code and Executive Order Number 3 (1998). Information concerning the exemption process is available from the Department upon request.

D. Negotiations

1. The Illinois Procurement Code provides in pertinent part:

Section 50-15. Negotiations.

(a) It is unlawful for any person employed in or on a continual contractual relationship with any of the offices or agencies of State government to participate in contract negotiations on behalf of that office or agency with any firm, partnership, association, or corporation with whom that person has a contract for future employment or is negotiating concerning possible future employment.

2. The bidder assures the Department that the award and execution of the contract would not cause a violation of Section 50-15, and that the bidder has no knowledge of any facts relevant to the kinds of acts prohibited therein.

RETURN WITH BID

E. Inducements

1. The Illinois Procurement Code provides:

Section 50-25. Inducement. Any person who offers or pays any money or other valuable thing to any person to induce him or her not to bid for a State contract or as recompense for not having bid on a State contract is guilty of a Class 4 felony. Any person who accepts any money or other valuable thing for not bidding for a State contract or who withholds a bid in consideration of the promise for the payment of money or other valuable thing is guilty of a Class 4 felony.

2. The bidder assures the Department that the award and execution of the contract would not cause a violation of Section 50-25, and that the bidder has no knowledge of any facts relevant to the kinds of acts prohibited therein.

F. Revolving Door Prohibition

1. The Illinois Procurement Code provides:

Section 50-30. Revolving door prohibition. Chief procurement officers, associate procurement officers, State purchasing officers, their designees whose principal duties are directly related to State procurement, and executive officers confirmed by the Senate are expressly prohibited for a period of 2 years after terminating an affected position from engaging in any procurement activity relating to the State agency most recently employing them in an affected position for a period of at least 6 months. The prohibition includes, but is not limited to: lobbying the procurement process; specifying; bidding; proposing bid, proposal, or contract documents; on their own behalf or on behalf of any firm, partnership, association, or corporation. This Section applies only to persons who terminate an affected position on or after January 15, 1999.

2. The bidder assures the Department that the award and execution of the contract would not cause a violation of Section 50-30, and that the bidder has no knowledge of any facts relevant to the kinds of acts prohibited therein.

G. Reporting Anticompetitive Practices

1. The Illinois Procurement Code provides:

Section 50-40. Reporting anticompetitive practices. When, for any reason, any vendor, bidder, contractor, chief procurement officer, State purchasing officer, designee, elected official, or State employee suspects collusion or other anticompetitive practice among any bidders, offers, contractors, proposers, or employees of the State, a notice of the relevant facts shall be transmitted to the Attorney General and the chief procurement officer.

2. The bidder assures the Department that it has not failed to report any relevant facts concerning the practices addressed in Section 50-40 which may involve the contract for which the bid is submitted.

H. Confidentiality

1. The Illinois Procurement Code provides:

Section 50-45. Confidentiality. Any chief procurement officer, State purchasing officer, designee, or executive officer who willfully uses or allows the use of specifications, competitive bid documents, proprietary competitive information, proposals, contracts, or selection information to compromise the fairness or integrity of the procurement, bidding, or contract process shall be subject to immediate dismissal, regardless of the Personnel code, any contract, or any collective bargaining agreement, and may in addition be subject to criminal prosecution.

2. The bidder assures the Department that it has no knowledge of any fact relevant to the practices addressed in Section 50-45 which may involve the contract for which the bid is submitted.

RETURN WITH BID

I. Insider Information

1. The Illinois Procurement Act provides:

Section 50-50. Insider information. It is unlawful for any current or former elected or appointed State official or State employee to knowingly use confidential information available only by virtue of that office or employment for actual or anticipated gain for themselves or another person.

2. The bidder assures the Department that it has no knowledge of any facts relevant to the practices addressed in Section 50-50 which may involve the contract for which the bid is submitted.

III. CERTIFICATIONS

A. The certifications hereinafter made by the bidder are each a material representation of fact upon which reliance is placed should the Department enter into the contract with the bidder. The Department may terminate the contract if it is later determined that the bidder rendered a false or erroneous certification, and the surety providing the performance bond shall be responsible for completion of the contract.

B. Bribery

1. The Illinois Procurement Code provides:

Section 50-5. Bribery.

(a) Prohibition. No person or business shall be awarded a contract or subcontract under this Code who:

(1) has been convicted under the laws of Illinois or any other state of bribery or attempting to bribe an officer or employee of the State of Illinois or any other state in that officer's or employee's official capacity; or

(2) has made an admission of guilt of that conduct that is a matter of record but has not been prosecuted for that conduct.

(b) Businesses. No business shall be barred from contracting with any unit of State or local government as a result of a conviction under this Section of any employee or agent of the business if the employee or agent is no longer employed by the business and:

(1) the business has been finally adjudicated not guilty; or

(2) the business demonstrates to the governmental entity with which it seeks to contract, and that entity finds that the commission of the offense was not authorized, requested, commanded, or performed by a director, officer, or high managerial agent on behalf of the business as provided in paragraph (2) of subsection (a) of Section 5-4 of the Criminal Code of 1961.

(c) Conduct on behalf of business. For purposes of this Section, when an official, agent, or employee of a business committed the bribery or attempted bribery on behalf of the business and in accordance with the direction or authorization of a responsible official of the business, the business shall be chargeable with the conduct.

(d) Certification. Every bid submitted to and contract executed by the State shall contain a certification by the contractor that the contractor is not barred from being awarded a contract or subcontract under this Section. A contractor who makes a false statement, material to the certification, commits a Class 3 felony.

2. The bidder certifies that it is not barred from being awarded a contract under Section 50.5.

RETURN WITH BID

C. Educational Loan

1. Section 3 of the Educational Loan Default Act provides:

§ 3. No State agency shall contract with an individual for goods or services if that individual is in default, as defined in Section 2 of this Act, on an educational loan. Any contract used by any State agency shall include a statement certifying that the individual is not in default on an educational loan as provided in this Section.

2. The bidder, if an individual as opposed to a corporation, partnership or other form of business organization, certifies that the bidder is not in default on an educational loan as provided in Section 3 of the Act.

D. Bid-Rigging/Bid Rotating

1. Section 33E-11 of the Criminal Code of 1961 provides:

§ 33E-11. (a) Every bid submitted to and public contract executed pursuant to such bid by the State or a unit of local government shall contain a certification by the prime contractor that the prime contractor is not barred from contracting with any unit of State or local government as a result of a violation of either Section 33E-3 or 33E-4 of this Article. The State and units of local government shall provide the appropriate forms for such certification.

(b) A contractor who makes a false statement, material to the certification, commits a Class 3 felony.

A violation of Section 33E-3 would be represented by a conviction of the crime of bid-rigging which, in addition to Class 3 felony sentencing, provides that any person convicted of this offense or any similar offense of any state or the United States which contains the same elements as this offense shall be barred for 5 years from the date of conviction from contracting with any unit of State or local government. No corporation shall be barred from contracting with any unit of State or local government as a result of a conviction under this Section of any employee or agent of such corporation if the employee so convicted is no longer employed by the corporation and: (1) it has been finally adjudicated not guilty or (2) if it demonstrates to the governmental entity with which it seeks to contract and that entity finds that the commission of the offense was neither authorized, requested, commanded, nor performed by a director, officer or a high managerial agent in behalf of the corporation.

A violation of Section 33E-4 would be represented by a conviction of the crime of bid-rotating which, in addition to Class 2 felony sentencing, provides that any person convicted of this offense or any similar offense of any state or the United States which contains the same elements as this offense shall be permanently barred from contracting with any unit of State or local government. No corporation shall be barred from contracting with any unit of State or local government as a result of a conviction under this Section of any employee or agent of such corporation if the employee so convicted is no longer employed by the corporation and: (1) it has been finally adjudicated not guilty or (2) if it demonstrates to the governmental entity with which it seeks to contract and that entity finds that the commission of the offense was neither authorized, requested, commanded, nor performed by a director, officer or a high managerial agent in behalf of the corporation.

2. The bidder certifies that it is not barred from contracting with the Department by reason of a violation of either Section 33E-3 or Section 33E-4.

E. International Anti-Boycott

1. Section 5 of the International Anti-Boycott Certification Act provides:

§ 5. State contracts. Every contract entered into by the State of Illinois for the manufacture, furnishing, or purchasing of supplies, material, or equipment or for the furnishing of work, labor, or services, in an amount exceeding the threshold for small purchases according to the purchasing laws of this State or \$10,000.00, whichever is less, shall contain certification, as a material condition of the contract, by which the contractor agrees that neither the contractor nor any substantially-owned affiliated company is participating or shall participate in an international boycott in violation of the provisions of the U.S. Export Administration Act of 1979 or the regulations of the U.S. Department of Commerce promulgated under that Act.

2. The bidder makes the certification set forth in Section 5 of the Act.

RETURN WITH BID

F. Drug Free Workplace

1. The Illinois “Drug Free Workplace Act” applies to this contract and it is necessary to comply with the provisions of the “Act” if the contractor is a corporation, partnership, or other entity (including a sole proprietorship) which has 25 or more employees.

2. The bidder certifies that if awarded a contract in excess of \$5,000 it will provide a drug free workplace by:

(a) Publishing a statement notifying employees that the unlawful manufacture, distribution, dispensation, possession or use of a controlled substance, including cannabis, is prohibited in the contractor’s workplace; specifying the actions that will be taken against employees for violations of such prohibition; and notifying the employee that, as a condition of employment on such contract, the employee shall abide by the terms of the statement, and notify the employer of any criminal drug statute conviction for a violation occurring in the workplace no later than five (5) days after such conviction.

(b) Establishing a drug free awareness program to inform employees about the dangers of drug abuse in the workplace; the contractor’s policy of maintaining a drug free workplace; any available drug counseling, rehabilitation, and employee assistance programs; and the penalties that may be imposed upon employees for drug violations.

(c) Providing a copy of the statement required by subparagraph (1) to each employee engaged in the performance of the contract and to post the statement in a prominent place in the workplace.

(d) Notifying the Department within ten (10) days after receiving notice from an employee or otherwise receiving actual notice of the conviction of an employee for a violation of any criminal drug statute occurring in the workplace.

(e) Imposing or requiring, within 30 days after receiving notice from an employee of a conviction or actual notice of such a conviction, an appropriate personnel action, up to and including termination, or the satisfactory participation in a drug abuse assistance or rehabilitation program approved by a federal, state or local health, law enforcement or other appropriate agency.

(f) Assisting employees in selecting a course of action in the event drug counseling, treatment, and rehabilitation is required and indicating that a trained referral team is in place.

(g) Making a good faith effort to continue to maintain a drug free workplace through implementation of the actions and efforts stated in this certification.

G. Debt Delinquency

1. The Illinois Procurement Code provides:

Section 50-11 and 50-12. Debt Delinquency.

The contractor or bidder certifies that it, or any affiliate, is not barred from being awarded a contract under 30 ILCS 500. Section 50-11 prohibits a person from entering into a contract with a State agency if it knows or should know that it, or any affiliate, is delinquent in the payment of any debt to the State as defined by the Debt Collection Board. Section 50-12 prohibits a person from entering into a contract with a State agency if it, or any affiliate, has failed to collect and remit Illinois Use Tax on all sales of tangible personal property into the State of Illinois in accordance with the provisions of the Illinois Use Tax Act. The contractor further acknowledges that the contracting State agency may declare the contract void if this certification is false or if the contractor, or any affiliate, is determined to be delinquent in the payment of any debt to the State during the term of the contract.

RETURN WITH BID

H. Sarbanes-Oxley Act of 2002

1. The Illinois Procurement Code provides:

Section 50-60(c).

The contractor certifies in accordance with 30 ILCS 500/50-10.5 that no officer, director, partner or other managerial agent of the contracting business has been convicted of a felony under the Sarbanes-Oxley Act of 2002 or a Class 3 or Class 2 felony under the Illinois Securities Law of 1953 for a period of five years prior to the date of the bid or contract. The contractor acknowledges that the contracting agency shall declare the contract void if this certification is false.

I. Addenda

The contractor or bidder certifies that all relevant addenda have been incorporated in to this contract. Failure to do so may cause the bid to be declared unacceptable.

J. Section 42 of the Environmental Protection Act

The contractor certifies in accordance with 30 ILCS 500/50-12 that the bidder or contractor is not barred from being awarded a contract under this Section which prohibits the bidding on or entering into contracts with the State of Illinois or a State agency by a person or business found by a court or the Pollution Control Board to have committed a willful or knowing violation of Section 42 of the Environmental Protection Act for a period of five years from the date of the order. The contractor acknowledges that the contracting agency may declare the contract void if this certification is false.

K. Apprenticeship and Training Certification (Does not apply to federal aid projects)

In accordance with the provisions of Section 30-22 (6) of the Illinois Procurement Code, the bidder certifies that it is a participant, either as an individual or as part of a group program, in the approved apprenticeship and training programs applicable to each type of work or craft that the bidder will perform with its own forces. The bidder further certifies for work that will be performed by subcontract that each of its subcontractors submitted for approval either (a) is, at the time of such bid, participating in an approved, applicable apprenticeship and training program; or (b) will, prior to commencement of performance of work pursuant to this contract, begin participation in an approved apprenticeship and training program applicable to the work of the subcontract. The Department, at any time before or after award, may require the production of a copy of each applicable Certificate of Registration issued by the United States Department of Labor evidencing such participation by the contractor and any or all of its subcontractors. Applicable apprenticeship and training programs are those that have been approved and registered with the United States Department of Labor. The bidder shall list in the space below, the official name of the program sponsor holding the Certificate of Registration for all of the types of work or crafts in which the bidder is a participant and that will be performed with the bidder's forces. Types of work or craft work that will be subcontracted shall be included and listed as subcontracted work. The list shall also indicate any type of work or craft job category that does not have an applicable apprenticeship or training program. **The bidder is responsible for making a complete report and shall make certain that each type of work or craft job category that will be utilized on the project as reported on the Construction Employee Workforce Projection (Form BC-1256) and returned with the bid is accounted for and listed.**

N/A (Federal)

The requirements of this certification and disclosure are a material part of the contract, and the contractor shall require this certification provision to be included in all approved subcontracts. In order to fulfill this requirement, it shall not be necessary that an applicable program sponsor be currently taking or that it will take applications for apprenticeship, training or employment during the performance of the work of this contract.

RETURN WITH BID

L. Executive Order Number 1 (2007) Regarding Lobbying on Government Procurements

The bidder hereby warrants and certifies that they have complied and will comply with the requirements set forth in this Order. The requirements of this warrant and certification are a material part of the contract, and the contractor shall require this warrant and certification provision to be included in all approved subcontracts.

M. Disclosure of Business Operations in Iran

Public Act 95-0616 provides that each bid, offer, or proposal submitted for a State contract shall include a disclosure of whether or not the Company acting as the bidder, offeror, or proposing entity, or any of its corporate parents or subsidiaries, within the 24 months before submission of the bid, offer, or proposal had business operations that involved contracts with or provision of supplies or services to the Government of Iran, companies in which the Government of Iran has any direct or indirect equity share, consortiums or projects commissioned by the Government of Iran, or companies involved in consortiums or projects commissioned by the Government of Iran and either of the following conditions apply:

(1) More than 10% of the Company's revenues produced in or assets located in Iran involve oil-related activities or mineral-extraction activities; less than 75% of the Company's revenues produced in or assets located in Iran involve contracts with or provision of oil-related or mineral-extraction products or services to the Government of Iran or a project or consortium created exclusively by that government; and the Company has failed to take substantial action.

(2) The Company has, on or after August 5, 1996, made an investment of \$20 million or more, or any combination of investments of at least \$10 million each that in the aggregate equals or exceeds \$20 million in any 12-month period, which directly or significantly contributes to the enhancement of Iran's ability to develop petroleum resources of Iran.

The terms "Business operations", "Company", "Mineral-extraction activities", "Oil-related activities", "Petroleum resources", and "Substantial action" are all defined in the Act.

Failure to make the disclosure required by the Act shall cause the bid, offer or proposal to be considered not responsive. The disclosure will be considered when evaluating the bid, offer, or proposal or awarding the contract. The name of each Company disclosed as doing business or having done business in Iran will be provided to the State Comptroller.

Check the appropriate statement:

Company has no business operations in Iran to disclose.

Company has business operations in Iran as disclosed in the attached document.

RETURN WITH BID

N. PA 95-0635 SUBSTANCE ABUSE PREVENTION PROGRAM (SAPP)

Effective January 1, 2008

This Public Act requires that all contractors and subcontractors have an SAPP, meeting certain requirements, in place **before** starting work.

The contractor must submit their correctly completed SAPP Certification (Form BC 261) prior to issuance of the Notice-to-Proceed.

The requirements of this Public Act are a material part of the contract, and the contractor shall require this provision to be included in all approved subcontracts. The contractor shall submit the correctly completed SAPP Certification Form BC 261 for each subcontractor with the Request for Approval of Subcontractor (Form AER 260-A) prior to issuance of the Notice-to-Proceed.

All SAPPs and Requests for Approval of Subcontractor are to be submitted to:

Department of Transportation
Division of Aeronautics
Attn: Chief Engineer
1 Langhorne Bond Drive
Capital Airport
Springfield, IL 62707-8415.

Telephone number (217) 785-8514

Telefax number (217) 785-4533

O. Registration with the State Board of Elections.

Public Act 95-0971, amending the Illinois Procurement Code, 30 ILCS 500, adding new sections 20-160 and 50-37, and Executive Order 3 (2008) establish new requirements affecting contributions that contractors, consultants, vendors and bidders, including affiliated persons and entities, may make to state officeholders, declared candidates for state offices and political organizations established to benefit such officeholders and candidates. These provisions do not apply to federal-aid contracts.

By submission of a bid, the bidder acknowledges and agrees that it has read and understands the requirements of PA 95-0971 and Executive Order 3 (2008), including but not limited to, all reporting requirements and all restrictions on soliciting and making contributions to state officeholders, declared candidates for state offices and covered political organizations that promote the candidacy of an officeholder or declared candidate for office. In addition, the bidder makes the following certifications:

- (1) As to Executive Order 3 (2008), the bidder certifies that no contribution will be made that would violate the order, and that the bidder will report all contributions as required by the order.
- (2) As to PA 95-0971, the bidder shall check either of the following certifications that apply:

The bidder is not required to register as a business entity with the State Board of Elections.

The bidder has registered as a business entity with the State Board of Elections, and acknowledges a continuing duty to update the registration as required the Act. **A copy of the time-stamped certificate of registration is enclosed with the bid. The Department will not award this contract without the submission of a certificate of registration.**

In accordance with Article 101.09 of the Standard Specifications for Road and Bridge Construction, this certification shall be part of the contract. Compliance with PA 95-0971 and Executive Order 3 (2008) is a material part of the contract and any breach shall be cause to void the contract under Section 50-60 of the Illinois Procurement Code.

RETURN WITH BID

IV. DISCLOSURES

A. The disclosures hereinafter made by the bidder are each a material representation of fact upon which reliance is placed should the Department enter into the contract with the bidder. The Department may terminate the contract if it is later determined that the bidder rendered a false or erroneous disclosure, and the surety providing the performance bond shall be responsible for completion of the contract.

B. Financial Interests and Conflicts of Interest

1. Section 50-35 of the Illinois Procurement Code provides that all bids of more than \$10,000 shall be accompanied by disclosure of the financial interests of the bidder. This disclosed information for the successful bidder, will be maintained as public information subject to release by request pursuant to the Freedom of Information Act.

The financial interests to be disclosed shall include ownership or distributive income share that is in excess of 5%, or an amount greater than 60% of the annual salary of the Governor, of the bidding entity or its parent entity, whichever is less, unless the contractor or bidder is a publicly traded entity subject to Federal 10K reporting, in which case it may submit its 10K disclosure in place of the prescribed disclosure. The disclosure shall include the names, addresses, and dollar or proportionate share of ownership of each person making the disclosure, their instrument of ownership or beneficial relationship, and notice of any potential conflict of interest resulting from the current ownership or beneficial interest of each person making the disclosure having any of the relationships identified in Section 50-35 and on the disclosure form.

In addition, all disclosures shall indicate any other current or pending contracts, proposals, leases, or other ongoing procurement relationships the bidding entity has with any other unit of state government and shall clearly identify the unit and the contract, proposal, lease, or other relationship.

2. Disclosure Forms. Disclosure Form A is attached for use concerning the individuals meeting the above ownership or distributive share requirements. Subject individuals should be covered each by one form. In addition, a second form (Disclosure Form B) provides for the disclosure of current or pending procurement relationships with other (non-IDOT) state agencies. **The forms must be included with each bid or incorporated by reference.**

C. Disclosure Form Instructions

Form A: For bidders that have previously submitted the information requested in Form A

The Department has retained the Form A disclosures submitted by all bidders responding to these requirements for the April 24, 1998 or any subsequent letting conducted by the Department. The bidder has the option of submitting the information again or the bidder may sign the following certification statement indicating that the information previously submitted by the bidder is, as of the date of signature, current and accurate. The Certification must be signed and dated by a person who is authorized to execute contracts for the bidding company. Before signing this certification, the bidder should carefully review its prior submissions to ensure the Certification is correct. If the Bidder signs the Certification, the Bidder should proceed to Form B instructions.

CERTIFICATION STATEMENT

I have determined that the Form A disclosure information previously submitted is current and accurate, and all forms are hereby incorporated by reference in this bid. Any necessary additional forms or amendments to previously submitted forms are attached to this bid.

(Bidding Company)

Name of Authorized Representative (type or print)

Title of Authorized Representative (type or print)

Signature of Authorized Representative

Date

Form A: For bidders who have NOT previously submitted the information requested in Form A

If the bidder is a publicly traded entity subject to Federal 10K reporting, the 10K Report may be submitted to meet the requirements of Form A. If a bidder is not subject to Federal 10K reporting, the bidder must determine if any individuals are required by law to complete a financial disclosure form. To do this, the bidder should answer each of the following questions. A "YES" answer indicates Form A must be completed. If the answer to each of the following questions is "NO", then the **NOT APPLICABLE STATEMENT** on the second page of Form A must be signed and dated by a person that is authorized to execute contracts for the bidding company. Note These questions are for assistance only and are not required to be completed.

1. Does anyone in your organization have a direct or beneficial ownership share of greater than 5% of the bidding entity or parent entity? YES _____ NO _____
2. Does anyone in your organization have a direct or beneficial ownership share of less than 5%, but which has a value greater than \$87,526.20? YES _____ NO _____
3. Does anyone in your organization receive more than \$87,526.20 of the bidding entity's or parent entity's distributive income? (Note: Distributive income is, for these purposes, any type of distribution of profits. An annual salary is not distributive income.) YES _____ NO _____
4. Does anyone in your organization receive greater than 5% of the bidding entity's or parent entity's total distributive income, but which is less than \$87,526.20? YES _____ NO _____

(Note: Only one set of forms needs to be completed per person per bid even if a specific individual would require a yes answer to more than one question.)

A "YES" answer to any of these questions requires the completion of Form A. The bidder must determine each individual in the bidding entity or the bidding entity's parent company that would cause the questions to be answered "Yes". Each form must be signed and dated by a person that is authorized to execute contracts for your organization. **Photocopied or stamped signatures are not acceptable.** The person signing can be, but does not have to be, the person for which the form is being completed. The bidder is responsible for the accuracy of any information provided.

If the answer to each of the above questions is "NO", then the **NOT APPLICABLE STATEMENT** on page 2 of Form A must be signed and dated by a person that is authorized to execute contracts for your company.

Form B: Identifying Other Contracts & Procurement Related Information Disclosure Form B must be completed for each bid submitted by the bidding entity. It must be signed by an individual who is authorized to execute contracts for the bidding entity. *Note: Signing the **NOT APPLICABLE STATEMENT** on Form A does not allow the bidder to ignore Form B. Form B must be completed, signed and dated or the bidder may be considered nonresponsive and the bid will not be accepted.*

The Bidder shall identify, by checking Yes or No on Form B, whether it has any pending contracts (including leases), bids, proposals, or other ongoing procurement relationship with any other (non-IDOT) State of Illinois agency. If "No" is checked, the bidder only needs to complete the signature box on the bottom of Form B. If "Yes" is checked, the bidder must do one of the following:

Option I: If the bidder did not submit an Affidavit of Availability to obtain authorization to bid, the bidder must list all non-IDOT State of Illinois agency pending contracts, leases, bids, proposals, and other ongoing procurement relationships. These items may be listed on Form B or on an attached sheet(s). Do not include IDOT contracts. Contracts with cities, counties, villages, etc. are not considered State of Illinois agency contracts and are not to be included. Contracts with other State of Illinois agencies such as the Department of Natural Resources or the Capital Development Board must be included. Bidders who submit Affidavits of Availability are suggested to use Option II.

Option II: If the bidder is required and has submitted an Affidavit of Availability in order to obtain authorization to bid, the bidder may write or type "See Affidavit of Availability" which indicates that the Affidavit of Availability is incorporated by reference and includes all non-IDOT State of Illinois agency pending contracts, leases, bids, proposals, and other ongoing procurement relationships. For any contracts that are not covered by the Affidavit of Availability, the bidder must identify them on Form B or on an attached sheet(s). These might be such things as leases.

D. Bidders Submitting More Than One Bid

Bidders submitting multiple bids may submit one set of forms consisting of all required Form A disclosures and one Form B for use with all bids. Please indicate in the space provided below the bid item that contains the original disclosure forms and the bid items which incorporate the forms by reference.

- The bid submitted for letting item _____ contains the Form A disclosures or Certification Statement and the Form B disclosures. The following letting items incorporate the said forms by reference:

**ILLINOIS DEPARTMENT
OF TRANSPORTATION**

**Form A
Financial Information &
Potential Conflicts of Interest
Disclosure**

Contractor Name		
Legal Address		
City, State, Zip		
Telephone Number		Fax Number (if available)

Disclosure of the information contained in this Form is required by the Section 50-35 of the Illinois Procurement Code (30 ILCS 500). Vendors desiring to enter into a contract with the State of Illinois must disclose the financial information and potential conflict of interest information as specified in this Disclosure Form. This information shall become part of the publicly available contract file. This Form A must be completed for bids in excess of \$10,000, and for all open-ended contracts. **A publicly traded company may submit a 10K disclosure in satisfaction of the requirements set forth in Form A. See Disclosure Form Instructions.**

DISCLOSURE OF FINANCIAL INFORMATION

1. Disclosure of Financial Information. The individual named below has an interest in the BIDDER (or its parent) in terms of ownership or distributive income share in excess of 5%, or an interest which has a value of more than \$87,526.20 (60% of the Governor’s salary as of 10/1/2000). **(Make copies of this form as necessary and attach a separate Disclosure Form A for each individual meeting these requirements)**

FOR INDIVIDUAL (type or print information)	
NAME:	_____
ADDRESS	_____
Type of ownership/distributable income share:	
stock _____	sole proprietorship _____
partnership _____	other: (explain on separate sheet): _____
% or \$ value of ownership/distributable income share: _____	

2. Disclosure of Potential Conflicts of Interest. Check “Yes” or “No” to indicate which, if any, of the following potential conflict of interest relationships apply. If the answer to any question is “Yes”, please attach additional pages and describe.

(a) State employment, currently or in the previous 3 years, including contractual employment of services.
Yes _____ No _____

(b) State employment of spouse, father, mother, son, or daughter, including contractual employment for services in the previous 2 years.
Yes _____ No _____

(c) Elective status; the holding of elective office of the State of Illinois, the government of the United States, any unit of local government authorized by the Constitution of the State of Illinois or the statutes of the State of Illinois currently or in the previous 3 years.
Yes _____ No _____

(d) Relationship to anyone holding elective office currently or in the previous 2 years; spouse, father, mother, son, or daughter
Yes _____ No _____

RETURN WITH BID/OFFER

(e) Appointive office; the holding of any appointive government office of the State of Illinois, the United States of America, or any unit of local government authorized by the Constitution of the State of Illinois or the statutes of the State of Illinois, which office entitles the holder to compensation in excess of the expenses incurred in the discharge of that office currently or in the previous 3 years.

Yes _____ No _____

(f) Relationship to anyone holding appointive office currently or in the previous 2 years; spouse, father, mother, son, or daughter.

Yes _____ No _____

(g) Employment, currently or in the previous 3 years, as or by any registered lobbyist of the State government.

Yes _____ No _____

(h) Relationship to anyone who is or was a registered lobbyist in the previous 2 years; spouse, father, mother, son, or daughter.

Yes _____ No _____

(i) Compensated employment, currently or in the previous 3 years, by any registered election or reelection committee registered with the Secretary of State or any county clerk of the State of Illinois, or any political action committee registered with either the Secretary of State or the Federal Board of Elections.

Yes _____ No _____

(j) Relationship to anyone; spouse, father, mother, son, or daughter; who was a compensated employee in the last 2 years by any registered election or re-election committee registered with the Secretary of State or any county clerk of the State of Illinois, or any political action committee registered with either the Secretary of State or the Federal Board of Elections.

Yes _____ No _____

APPLICABLE STATEMENT

This Disclosure Form A is submitted on behalf of the INDIVIDUAL named on previous page.

Completed by:

Name of Authorized Representative (type or print)

Completed by:

Title of Authorized Representative (type or print)

Completed by:

Signature of Individual or Authorized Representative

Date

NOT APPLICABLE STATEMENT

I have determined that no individuals associated with this organization meet the criteria that would require the completion of this Form A.

This Disclosure Form A is submitted on behalf of the CONTRACTOR listed on the previous page.

Name of Authorized Representative (type or print)

Title of Authorized Representative (type or print)

Signature of Authorized Representative

Date

**ILLINOIS DEPARTMENT
OF TRANSPORTATION**

**Form B
Other Contracts &
Procurement Related Information
Disclosure**

Contractor Name		
Legal Address		
City, State, Zip		
Telephone Number		Fax Number (if available)

Disclosure of the information contained in this Form is required by the Section 50-35 of the Illinois Procurement Act (30 ILCS 500). This information shall become part of the publicly available contract file. This Form B must be completed for bids in excess of \$10,000, and for all open-ended contracts.

DISCLOSURE OF OTHER CONTRACTS AND PROCUREMENT RELATED INFORMATION

1. Identifying Other Contracts & Procurement Related Information. The BIDDER shall identify whether it has any pending contracts (including leases), bids, proposals, or other ongoing procurement relationship with any other State of Illinois agency: Yes _____ No _____

If **“No” is checked**, the bidder only needs to complete the signature box on the bottom of this page.

2. If “Yes” is checked. Identify each such relationship by showing State of Illinois agency name and other descriptive information such as bid or project number (attach additional pages as necessary). SEE DISCLOSURE FORM INSTRUCTIONS:

THE FOLLOWING STATEMENT MUST BE SIGNED

Name of Authorized Representative (type or print)	

Title of Authorized Representative (type or print)	
_____	_____
Signature of Authorized Representative	Date

RETURN WITH BID

SPECIAL NOTICE TO CONTRACTORS

The following requirements of the Illinois Department of Human Rights' Rules and Regulations are applicable to bidders on all construction contracts advertised by the Illinois Department of Transportation:

CONSTRUCTION EMPLOYEE UTILIZATION PROJECTION

- (a) All bidders on construction contracts shall complete and submit, along with and as part of their bids, a Bidder's Employee Utilization Form (Form BC-1256) setting forth a projection and breakdown of the total workforce intended to be hired and/or allocated to such contract work by the bidder including a projection of minority and female employee utilization in all job classifications on the contract project.
- (b) The Department of Transportation shall review the Employee Utilization Form, and workforce projections contained therein, of the contract awardee to determine if such projections reflect an underutilization of minority persons and/or women in any job classification in accordance with the Equal Employment Opportunity Clause and Section 7.2 of the Illinois Department of Human Rights' Rules and Regulations for Public Contracts adopted as amended on September 17, 1980. If it is determined that the contract awardee's projections reflect an underutilization of minority persons and/or women in any job classification, it shall be advised in writing of the manner in which it is underutilizing and such awardee shall be considered to be in breach of the contract unless, prior to commencement of work on the contract project, it submits revised satisfactory projections or an acceptable written affirmative action plan to correct such underutilization including a specific timetable geared to the completion stages of the contract.
- (c) The Department of Transportation shall provide to the Department of Human Rights a copy of the contract awardee's Employee Utilization Form, a copy of any required written affirmative action plan, and any written correspondence related thereto. The Department of Human Rights may review and revise any action taken by the Department of Transportation with respect to these requirements.

RETURN WITH BID

PART II. WORKFORCE PROJECTION - continued

- B. Included in "Total Employees" under Table A is the total number of **new hires** that would be employed in the event the undersigned bidder is awarded this contract.

The undersigned bidder projects that: (number) _____ new hires would be recruited from the area in which the contract project is located; and/or (number) _____ new hires would be recruited from the area in which the bidder's principal office or base of operation is located.

- C. Included in "Total Employees" under Table A is a projection of numbers of persons to be employed directly by the undersigned bidder as well as a projection of numbers of persons to be employed by subcontractors.

The undersigned bidder estimates that (number) _____ persons will be directly employed by the prime contractor and that (number) _____ persons will be employed by subcontractors.

PART III. AFFIRMATIVE ACTION PLAN

- A. The undersigned bidder understands and agrees that in the event the foregoing minority and female employee utilization projection included under **PART II** is determined to be an underutilization of minority persons or women in any job category, and in the event that the undersigned bidder is awarded this contract, he/she will, prior to commencement of work, develop and submit a written Affirmative Action Plan including a specific timetable (geared to the completion stages of the contract) whereby deficiencies in minority and/or female employee utilization are corrected. Such Affirmative Action Plan will be subject to approval by the contracting agency and the **Department of Human Rights**.
- B. The undersigned bidder understands and agrees that the minority and female employee utilization projection submitted herein, and the goals and timetable included under an Affirmative Action Plan if required, are deemed to be part of the contract specifications.

Company _____ Telephone Number _____

 Address _____

NOTICE REGARDING SIGNATURE

The Bidder's signature on the Proposal Signature Sheet will constitute the signing of this form. The following signature block needs to be completed only if revisions are required.

Signature: _____ Title: _____ Date: _____

- Instructions: All tables must include subcontractor personnel in addition to prime contractor personnel.
- Table A - Include both the number of employees that would be hired to perform the contract work and the total number currently employed (Table B) that will be allocated to contract work, and include all apprentices and on-the-job trainees. The "Total Employees" column should include all employees including all minorities, apprentices and on-the-job trainees to be employed on the contract work.
 - Table B - Include all employees currently employed that will be allocated to the contract work including any apprentices and on-the-job trainees currently employed.
 - Table C - Indicate the racial breakdown of the total apprentices and on-the-job trainees shown in Table A.

RETURN WITH BID

CERTIFICATIONS REQUIRED BY STATE AND/OR FEDERAL LAW. The bidder is required by State and/or Federal law to make the below certifications and assurances as a part of the proposal and contract upon award. It is understood by the bidder that the certifications and assurances made herein are a part of the contract.

By signing the Proposal Signature Sheet, the bidder certifies that he/she has read and completed each of the following certifications and assurances, that required responses are true and correct and that the certified signature of the Proposal Signature Sheet constitutes an endorsement and execution of each certification and assurance as though each was individually signed:

A. By the execution of this proposal, the signing bidder certifies that the bidding entity has not, either directly or indirectly, entered into any agreement, participated in any collusion, or otherwise taken any action, in restraint of free competitive bidding in connection with the submitted bid. This statement made by the undersigned bidder is true and correct under penalty of perjury under the laws of the United States.

B. **CERTIFICATION, EQUAL EMPLOYMENT OPPORTUNITY:**

1. Have you participated in any previous contracts or subcontracts subject to the equal opportunity clause.
YES _____ NO _____
2. If answer to #1 is yes, have you filed with the Joint Reporting Committee, the Director of OFCC, any Federal agency, or the former President's Committee on Equal Employment Opportunity, all reports due under the applicable filing requirements of those organizations? YES _____ NO _____

C. **BUY AMERICAN - STEEL AND MANUFACTURED PRODUCTS FOR CONSTRUCTION CONTRACTS (JAN 1991)**

(a) The Aviation Safety and Capacity Expansion Act of 1990 provides that preference be given to steel and manufactured products produced in the United States when funds are expended pursuant to a grant issued under the Airport Improvement Program. The following terms apply:

1. Steel and manufactured products. As used in this clause, steel and manufactured products include (1) steel produced in the United States or (2) a manufactured product produced in the United States, if the cost of its components mined, produced or manufactured in the United States exceeds 60 percent of the cost of all its components and final assembly has taken place in the United States. Components of foreign origin of the same class or kind as the products referred to in subparagraphs (b)(1) or (2) shall be treated as domestic.
2. Components. As used in this clause, components means those articles, materials, and supplies incorporated directly into steel and manufactured products.
3. Cost of Components. This means the costs for production of the components, exclusive of final assembly labor costs.

(b) The successful bidder will be required to assure that only domestic steel and manufactured products will be used by the Contractor, subcontractors, materialmen, and suppliers in the performance of this contract, except those-

- (1) that the U.S. Department of Transportation has determined, under the Aviation Safety and Capacity Expansion Act of 1990, are not produced in the United States in sufficient and reasonably available quantities of a satisfactory quality;
- (2) that the U.S. Department of Transportation has determined, under the Aviation Safety and Capacity Expansion Act of 1990, that domestic preference would be inconsistent with the public interest; or
- (3) that inclusion of domestic material will increase the cost of the overall project contract by more than 25 percent.

(End of Clause)

RETURN WITH BID

D. BUY AMERICAN CERTIFICATE (JAN 1991)

By submitting a bid/proposal under this solicitation, except for those items listed by the offeror below or on a separate and clearly identified attachment to this bid/proposal, the offeror certifies that steel and each manufactured product, is produced in the United States (as defined in the clause Buy American - Steel and Manufactured Products or Buy American - Steel and Manufactured Products For Construction Contracts) and that components of unknown origin are considered to have been produced or manufactured outside the United States.

Offerors may obtain from (IDOT, Division of Aeronautics) lists of articles, materials, and supplies excepted from this provision.

PRODUCT

COUNTRY OF ORIGIN

E. NPDES CERTIFICATION

In accordance with the provisions of the Illinois Environmental Protection Act, the Illinois Pollution Control Board Rules and Regulations (35 Ill. Adm. Code, Subtitle C, Chapter I), and the Clean Water Act, and the regulations thereunder, this certification is required for all construction contracts that will result in the disturbance of one or more acres total land area.

The undersigned bidder certifies under penalty of law that he/she understands the terms and conditions of the general National Pollutant Discharge Elimination System (NPDES) permit (ILR100000) that authorizes the storm water discharges associated with industrial activity from the construction site identified as part of this certification.

The Airport Owner or its Agent will:

- 1) prepare, sign and submit the Notice of Intent (NOI)
- 2) conduct site inspections and complete and file the inspection reports
- 3) submit Incidence of Non-Compliance (ION) forms
- 4) submit Notice of Termination (NOT) form

Prior to the issuance of the Notice-to-Proceed, for each erosion control measure identified in the Storm Water Pollution Prevention Plan, the contractor or subcontractor responsible for the control measure(s) must sign the above certification (forms to be provided by the Department).

F. NON-APPROPRIATION CLAUSE

By submitting a bid/proposal under this solicitation the offeror certifies that he/she understands that obligations of the State will cease immediately without penalty or further payment being required in any fiscal year the Illinois General Assembly fails to appropriate or otherwise make available sufficient funds for this contract.

G. Contractor is not delinquent in the payment of any debt to the State (or if delinquent has entered into a deferred payment plan to pay the debt), and Contractor acknowledges the contracting state agency may declare the contract void if this certification is false (30 ILCS 500/50-11, effective July 1, 2002).

RETURN WITH BID

NOTICE TO BIDDERS

1. **TIME AND PLACE OF OPENING BIDS.** Sealed proposals for the improvement described herein will be received by the Department of Transportation at the Harry R. Hanley Building, 2300 South Dirksen Parkway in Springfield, Illinois until 10:00 o'clock a.m., April 24, 2009. All bids will be gathered, sorted, publicly opened and read in the auditorium at the Department of Transportation's Harry R. Hanley Building shortly after the 10:00 a.m. cut off time.
2. **DESCRIPTION OF WORK.** The proposed improvement, shown in detail on the plans issued by the Department includes, in general, the following described work:

Rehabilitate Taxiway B (South) – Phase 1
3. **INSTRUCTIONS TO BIDDERS.** (a) This Notice, the invitation for bids, proposal and award shall, together with all other documents in accordance with Article 10-15 of the Illinois Standard Specifications for Construction of Airports, become part of the contract. Bidders are cautioned to read and examine carefully all documents, to make all required inspections, and to inquire or seek explanation of the same prior to submission of a bid.

(b) State law, and, if the work is to be paid wholly or in part with Federal-aid funds, Federal law requires the bidder to make various certifications as a part of the proposal and contract. By execution and submission of the proposal, the bidder makes the certification contained therein. A false or fraudulent certification shall, in addition to all other remedies provided by law, be a breach of contract and may result in termination of the contract.
4. **AWARD CRITERIA AND REJECTION OF BIDS.** This contract will be awarded to the lowest responsive and responsible bidder considering conformity with the terms and conditions established by the Department in the proposal and contract documents. The issuance of plans and proposal forms for bidding based upon a prequalification rating shall not be the sole determinant of responsibility. The Department reserves the right to determine responsibility at the time of award, to reject any or all proposals, to readvertise the proposed improvement, and to waive technicalities.
5. **PRE-BID CONFERENCE.** There will be a pre-bid conference held at N/A at the Chicago Rockford International Airport administration building. For engineering information, contact Jeff Plapp of Crawford, Murphy & Tilly, Inc. at (815) 397-7088.
6. **DISADVANTAGED BUSINESS POLICY.** The DBE goal for this contract is 5.0%.
7. **SPECIFICATIONS AND DRAWINGS.** The work shall be done in accordance with the Illinois Standard Specifications for Construction of Airports, the Illinois Division of Aeronautics Supplemental Specifications and Recurring Special Provisions, the Special Provisions dated February 27, 2009 and the Construction Plans dated February 27, 2009 as approved by the Department of Transportation, Division of Aeronautics.

RETURN WITH BID

- 8. INSPECTION OF RECORDS.** The Contractor shall maintain an acceptable cost accounting system. The Sponsor, the FAA, and the Comptroller General of the United States shall have access to any books, documents, paper, and records of the Contractor which are directly pertinent to the specific contract for the purposes of making an audit, examination, excerpts, and transcriptions. The Contractor shall maintain all required records for three years after the Sponsor makes final payment and all other pending matters are closed.
- 9. RIGHTS TO INVENTIONS.** All rights to inventions and materials generated under this contract are subject to Illinois law and to regulations issued by the FAA and the Sponsor of the Federal grant under which this contract is executed. Information regarding these rights is available from the FAA and the Sponsor.
- 10. TERMINATION OF CONTRACT.**
1. The Sponsor may, by written notice, terminate this contract in whole or in part at any time, either for the Sponsor's convenience or because of failure to fulfill the contract obligations. Upon receipt of such notice services shall be immediately discontinued (unless the notice directs otherwise) and all materials as may have been accumulated in performing this contract, whether completed or in progress, delivered to the Sponsor.
 2. If the termination is for the convenience of the Sponsor, an equitable adjustment in the contract price shall be made, but no amount shall be allowed for anticipated profit on unperformed services.
 3. If the termination is due to failure to fulfill the Contractor's obligations, the Sponsor may take over the work and prosecute the same to completion by contract or otherwise. In such case, the Contractor shall be liable to the Sponsor for any additional cost occasioned to the Sponsor thereby.
 4. If, after notice of termination for failure to fulfill contract obligations, it is determined that the Contractor had not so failed, the termination shall be deemed to have been effected for the convenience of the Sponsor. In such event, adjustment in the contract price shall be made as provided in paragraph 2 of this clause.
 5. The rights and remedies of the sponsor provided in this clause are in addition to any other rights and remedies provided by law or under this contract.

RETURN WITH BID

11. BIDDING REQUIREMENTS AND BASIS OF AWARD. When alternates are included in the proposal, the following shall apply:

a. Additive Alternates

- (1) Bidders must submit a bid for the Base Bid and for all Additive Alternates.
- (2) Award of this contract will be made to the lowest responsible qualified bidder computed as follows:

The lowest aggregate amount of (i) the Base Bid plus (ii) any Additive Alternate(s) which the Department elects to award.

The Department may elect not to award any Additive Alternates. In that case, award will be to the lowest responsible qualified bidder of the Base Bid.

b. Optional Alternates

- (1) Bidders must submit a bid for the Base Bid and for either Alternate A or Alternate B or for both Alternate A and Alternate B.
- (2) Award of this contract will be made to the lowest responsible qualified bidder computed as follows:

The lower of the aggregate of either (i) the Base Bid plus Alternate A or (ii) the Base Bid plus Alternate B.

12. CONTRACT TIME. The Contractor shall complete all work within the specified contract time. Any calendar day extension beyond the specified contract time must be fully justified, requested by the Contractor in writing, and approved by the Engineer, or be subject to liquidated damages.

The contract time for this contract is 89 calendar days for the base bid work. If Additive Alternate No. 1 is awarded, there will be no additional calendar days awarded. If Additive Alternate No. 2 is awarded, an additional 16 calendar days will be awarded. If Additive Alternate No. 3 is awarded, an additional 10 calendar days will be awarded.

13. INDEPENDENT WEIGHT CHECKS. The Department reserves the right to conduct random unannounced independent weight checks on any delivery for bituminous, aggregate or other pay item for which the method of measurement for payment is based on weight. The weight checks will be accomplished by selecting, at random, a loaded truck and obtaining a loaded and empty weight on an independent scale. In addition, the department may perform random weight checks by obtaining loaded and empty truck weights on portable scales operated by department personnel.

14. GOOD FAITH COMPLIANCE. The Illinois Department of Transportation has made a good faith effort to include all statements, requirements, and other language required by federal and state law and by various offices within federal and state governments whether that language is required by law or not. If anything of this nature has been left out or if additional language etc. is later required, the bidder/contractor shall cooperate fully with the Department to modify the contract or bid documents to correct the deficiency. If the change results in increased operational costs, the Department shall reimburse the contractor for such costs as it may find to be reasonable.

RETURN WITH BID

PROPOSAL SIGNATURE SHEET

The undersigned bidder hereby makes and submits this bid on the subject Proposal, thereby assuring the Department that all requirements of the Invitation for Bids and rules of the Department have been met, that there is no misunderstanding of the requirements of paragraph 4 of this Proposal, and that the contract will be executed in accordance with the rules of the Department if an award is made on this bid.

Firm Name _____

(IF AN INDIVIDUAL)

Signature of Owner _____

Business Address _____

Firm Name _____

By _____

(IF A CO-PARTNERSHIP)

Business Address _____

Name and Address of All Members of the Firm:

Corporate Name _____

Corporate Seal

By _____

President

(IF A CORPORATION)

Attest _____

Corporate Secretary

Business Address _____

Name of Corporate Officers:

President Corporate Secretary Treasurer

NOTARY CERTIFICATION

STATE OF ILLINOIS,

ALL SIGNATURES MUST BE NOTARIZED

COUNTY OF _____

I, _____, a Notary Public in and for said county, do hereby certify that _____

_____ AND _____

(Insert names of individual(s) signing on behalf of bidder)

who are each personally known to me to be the same persons whose names are subscribed to the foregoing instrument on behalf of the bidder, appeared before me this day in person and acknowledged that they signed, sealed, and delivered said instrument as their free and voluntary act for the uses and purposes therein set forth.

Given under my hand and notarial seal this _____ day of _____, A.D. _____

My commission expires _____ (Seal)

Notary Public



Item No. 22A
Letting Date: April 24, 2009

Airport: Chicago Rockford International Airport
Ill. Proj. No. RFD-3862
Fed. Proj. No. 3-17-0088-XX

KNOW ALL MEN BY THESE PRESENTS. that we, _____, as PRINCIPAL, and _____, as SURETY are held and firmly

bound unto the, hereinafter called the SPONSOR, in the penal sum of 5 percent of the total bid price or of the amount specified in Section 6, PROPOSAL GUARANTEE of the Proposal Document, whichever is the lesser sum, well and truly to be paid unto the said SPONSOR, for the payment of which we bind ourselves, our heirs, executors, administrators, successors, and assigns.

THE CONDITION OF THIS OBLIGATION IS SUCH, that whereas the PRINCIPAL has submitted a Bid Proposal to the SPONSOR through its AGENT, the State of Illinois, Department of Transportation, Division of Aeronautics, for the improvement designated by the Transportation Bulletin Item Number and Letting Date indicated above;

NOW, THEREFORE, if the SPONSOR through its AGENT shall accept the Bid Proposal of the PRINCIPAL; and if PRINCIPAL shall within the time and as specified in the Bidding and Contract Documents, submit the DBE Utilization Plan that is acceptable and approved by the AGENT, and if after the award, the PRINCIPAL shall enter into a contract in accordance with the terms of the Bidding and Contract Documents including evidence of insurance coverage's and providing such bond as specified with good and sufficient surety for the faithful performance of such contract and for prompt payment of labor and material furnished in the prosecution thereof; or if, in the event of the failure of the PRINCIPAL to make the required DBE submission or to enter into such contract and to give the specified bond, the PRINCIPAL pays to the SPONSOR the difference not to exceed the penalty hereof between the amount in the Bid Proposal and such larger amount for which the SPONSOR may contract with another party to perform the work covered by said Proposal Document, then, this obligation to be void; otherwise to remain in full force and effect.

IN THE EVENT the SPONSOR acting through its AGENT determines the PRINCIPAL has failed to comply with any requirement as set forth in the preceding paragraph, then the SURETY shall pay the penal sum to the SPONSOR within fifteen (15) days of written demand therefor. If the SURETY does not make full payment within such period of time, the AGENT may bring an action to collect the amount owed. The SURETY is liable to the SPONSOR and to the AGENT for all its expenses, including attorney's fees, incurred in any litigation in which SPONSOR or AGENT prevail either in whole or in part.

IN WITNESS WHEREOF, the said PRINCIPAL and the said SURETY have caused this instrument to be signed by

their respective officers this _____ day of _____ A.D., 20 ____.

PRINCIPAL

SURETY

(Company Name)

(Company Name)

By: _____ (Signature & Title)

By: _____ (Signature of Attorney-in-Fact)

Notary Certification for Principal and Surety

State of Illinois)
) ss:
County of _____)

I, _____, a Notary Public in and for said County, do hereby certify that

_____ and _____
(Insert names of individuals signing on behalf of PRINCIPAL & SURETY)

who are each personally known to me to be the same persons whose names are subscribed to the foregoing instrument on behalf of PRINCIPAL and SURETY, appeared before me this day in person and acknowledged respectively, that they signed and delivered said instrument as their free and voluntary act for uses and purposes therein set forth.

Given under my hand and notary seal this _____ day of _____ A.D., 20 ____

My commission expires _____ (Notary Public)

In lieu of completing the above section of the Proposal Bid Form, the PRINCIPAL may file an Electronic Bid Bond. By signing below, the PRINCIPAL is ensuring the identified electronic bid bond has been executed and the PRINCIPAL and SURETY are firmly bound to the SPONSOR through its AGENT under the conditions of the Bid Bond as shown above.

Electronic Bid Bond ID# _____ Company/Bidder Name _____ Signature and Title _____
Form D.E. (Rev. 12-2001)



PROPOSALS

for construction work advertised for bids by the
Illinois Department of Transportation

Item No.	Item No.	Item No.

Submitted By:

Name:
Address:
Phone No.

Bidders should affix this form to the front of a 10" x 13" envelope and use that envelope for the submittal of bids. If proposals are mailed, they should be enclosed in a second or outer envelope addressed to:

Engineer of Design and Environment - Room 323
Illinois Department of Transportation
2300 South Dirksen Parkway
Springfield, Illinois 62764

CONTRACTOR OFFICE COPY OF CONTRACT SPECIFICATIONS

NOTICE

None of the following material needs to be returned with the bid package unless the special provisions require documentation and/or other information to be submitted.



Illinois Department of Transportation

CONTRACT REQUIREMENTS

(1) Airport Improvement Program projects. The work in this contract is included in the federal Airport Improvement Program and is being undertaken and accomplished by the Illinois Department of Transportation, Division of Aeronautics and the Municipality, hereinafter called the Co-Sponsors, in accordance with the terms and conditions of a Grant Agreement between the Co-Sponsors and the United States, under the Airport and Airway Improvement Act of 1982 (Public Law 97-248; Title V, Section 501 et seq., September 3, 1982; 96 Stat. 671; codified at 49 U.S.C Section 2201 et seq.) and Part 152 of the Federal Aviation Regulations (14 CFR Part 152), pursuant to which the United States has agreed to pay a certain percentage of the costs of the Project that are determined to be allowable Project costs under the Act. The United States is not a party to this contract and no reference in this contract to FAA or representative thereof, or to any rights granted to the FAA or any representative thereof, or the United States, by the contract, makes the United States a party to this contract.

(2) Consent of Assignment. The Contractor shall obtain the prior written consent of the Co-Sponsors to any proposed assignment of any interest in or part of this contract.

(3) Convict Labor. No convict labor may be employed under this contract.

(4) Veterans Preference. In the employment of labor, except in executive, administrative, and supervisory positions, preference shall be given to veterans of the Vietnam era and disabled veterans as defined in Section 515(c) of the Airport and Airway Improvement Act of 1982. However, this preference shall apply only where the individuals are available and qualified to perform the work to which the employment relates.

(5) Withholding: Sponsor from Contractor. Whether or not payments or advances to the Co-Sponsors are withheld or suspended by the FAA, the Co-Sponsors may withhold or cause to be withheld from the Contractor so much of the accrued payments or advances as may be considered necessary to pay laborers and mechanics employed by the Contractor or any subcontractor on the work the full amount of wages required by this contract.

(6) Nonpayment of Wages. If the Contractor or subcontractor fails to pay any laborer or mechanic employed or working on the site of the work any of the wages required by this contract the Co-Sponsors may, after written notice to the Contractor, take such action as may be necessary to cause the suspension of any further payment or advance of funds until the violations cease.

(7) FAA Inspection and Review. The Contractor shall allow any authorized representative of the FAA to inspect and review any work or materials used in the performance of this contract.

(8) Subcontracts. The Contractor shall insert in each of his subcontracts the provisions contained in Paragraphs (1), (3), (4), (5), (6), and (7) above and also a clause requiring the subcontractors to include these provisions in any lower tier subcontracts which they may enter into, together with a clause requiring this insertion in any further subcontracts that may in turn be made.

(9) Contract Termination. A breach of Paragraph (6), (7), and (8) above may be grounds for termination of the contract.

PROVISIONS REQUIRED BY THE REGULATIONS OF THE SECRETARY OF LABOR 29 CFR 5.5

(a) Contract Provisions and Related Matters.

(1) Minimum Wages.

Revised 1/92

(i) All laborers and mechanics employed or working upon the site of the work will be paid unconditionally and not less often than once a week, and without subsequent deduction or rebate on any account (except such payroll deductions as are permitted by regulations issued by the Secretary of Labor under the Copeland Act (29 CFR Part 3)), the full amount of wages and bona fide fringe benefits (or cash equivalents thereof) due at time of payment computed at rates not less than those contained in the wage determination of the Secretary of Labor which is attached hereto and made a part hereof, regardless of any contractual relationship which may be alleged to exist between the Contractor and such laborers and mechanics. Contributions made or costs reasonably anticipated for bona fide fringe benefits under section 1(b)(2) of the Davis-Bacon Act on behalf of laborers or mechanics are considered wages paid to such laborers or mechanics, subject to the provision of paragraph (a)(1)(iv) of this section; also, regular contributions made or costs incurred for more than a weekly period (but not less often than quarterly) under plans, funds, or programs which cover the particular weekly period, are deemed to be constructively made or incurred during such weekly period. Such laborers and mechanics shall be paid the appropriate wage rate and fringe benefits on the wage determination for the classification of work actually performed, without regard to skill, except as provided in paragraph 5.5(a)(4). Laborers or mechanics performing work in more than one classification may be compensated at the rate specified for each classification for the time actually worked therein: provided, that the employer's payroll records accurately set forth the time spent in each classification in which work is performed. The wage determination (including any additional classification and wage rates conformed under paragraph (a)(1)(ii) of this section) and the Davis-Bacon poster (WH-1321) shall be posted at all times by the Contractor and its subcontractors at the site of the work in a prominent and accessible place where it can be easily seen by the workers.

(ii)(A) The contracting officer shall require that any class of laborers or mechanics which is not listed in the wage determination and which is to be employed under the contract shall be classified in conformance with the wage determination. The contracting officer shall approve an additional classification and wage rate and fringe benefits therefor only when the following criteria have been met:

- (1) The work to be performed by the classification requested is not performed by a classification in the wage determination; and
- (2) The classification is utilized in the area by the construction industry; and
- (3) The proposed wage rate, including any bona fide fringe benefits, bears a reasonable relationship to the wage rates contained in the wage determination.

(ii)(B) If the Contractor and the laborers and mechanics to be employed in the classification (if known), or their representatives, and the contracting officer agree on the classification and wage rate (including the amount designated for fringe benefits where appropriate), a report of the action taken shall be sent by the contracting officer to the Administrator of the Wage and Hour Division, Employment Standards Administration, U.S. Department of Labor, Washington, D.C. 20210. The Administrator, or an authorized representative, will approve, modify, or disapprove every additional classification action within 30 days of receipt and so advise the contracting officer or will notify the contracting officer within the 30-day period that additional time is necessary. (Approved by the Office of Management and Budget under OMB control number 1215-0140).

(ii)(C) In the event the Contractor, the laborers or mechanics to be employed in the classification or their representatives, and the contracting officer do not agree on the proposed classification and wage rate (including the amount designated for fringe benefits, where appropriate), the contracting officer shall refer the questions, including the views of all interested parties and the recommendation of the contracting officer, to the Administrator for determination. The Administrator, or an authorized representative, will issue a determination within 30 days of receipt and so advise the contracting officer or will notify the contracting officer within the 30-day period that additional time is necessary. (Approved by the Office of Management and Budget under OMB control number 1215-0140).

(ii)(D) The wage rate (including fringe benefits where appropriate) determined pursuant to subparagraphs (1)(B) or (C) of this paragraph, shall be paid to all workers performing work in the classification under this contract from the first day on which work is performed in the classification.

(iii) Whenever the minimum wage rate prescribed in the contract for a class of laborers or mechanics includes a fringe benefit which is not expressed as an hourly rate, the Contractor shall either pay the benefit as stated in the wage determination or shall pay another bona fide fringe benefit or an hourly cash equivalent thereof.

(iv) If the Contractor does not make payments to a trustee or other third person, the Contractor may consider as part of the wages of any laborer or mechanic the amount of any costs reasonably anticipated in providing bona fide fringe benefits under a plan or program, provided, that the Secretary of Labor has found, upon the written request of the Contractor, that the applicable standards of the Davis-Bacon Act have been met. The Secretary of Labor may require the Contractor to set aside in a separate account assets for the meeting of obligations under the plan or program. (Approved by the Office of Management and Budget under OMB control number 1215-0140).

(2) Withholding. The Federal Aviation Administration shall upon its own action or written request of an authorized representative of the Department of Labor withhold or cause to be withheld from the Contractor under this contract or any other Federal contract with the same prime Contractor, or any other Federally-assisted contract subject to Davis-Bacon prevailing wage requirements, which is held by the same prime Contractor, so much of the accrued payments or advances as may be considered necessary to pay laborers and mechanics, including apprentices, trainees, and helpers, employed by the Contractor or any subcontractor the full amount of wages required by the contract. In the event of failure to pay any laborer or mechanic, including any apprentice, trainee, or helper, employed or working on the site of the work, all or part of the wages required by the contract, the (Agency) may, after written notice to the Contractor, sponsor, applicant, or owner, take such action as may be necessary to cause the suspension of any further payment, advance, or guarantee of funds until such violations have ceased.

(3) Payrolls and basic records.

(i) Payrolls and basic records relating thereto shall be maintained by the Contractor during the course of the work and preserved for a period of three years thereafter for all laborers and mechanics working at the site of the work. Such records shall contain the name, address, and social security number of each such work, his or her correct classification, hourly rates of wages paid (including rates of contributions or costs anticipated for bona fide fringe benefits or cash equivalents thereof of the types described in section 1(b)(2)(B) of the Davis-Bacon Act), daily and weekly number of hours worked, deductions made and actual wages paid. Whenever the Secretary of Labor has found under 29 CFR 5.5(a)(1)(iv) that the wages of any laborer or mechanic include the amount of any costs reasonably anticipated in providing benefits under a plan or program described in section 1(b)(2)(B) of the Davis-Bacon Act, the Contractor shall maintain records which show that the commitment to provide such benefits is enforceable, that the plan or program is financially responsible, and that the plan or program has been communicated in writing to the laborers or mechanics affected, and records which show the costs anticipated or the actual cost incurred in providing such benefits. Contractors employing apprentices or trainees under approved programs shall maintain written evidence of the registration of apprenticeship programs and certification of trainee programs, the registration of the apprentices and trainees, and the ratios and wage rates prescribed in the applicable programs. (Approved by the Office Management and Budget under OMB control numbers 1215-0140 and 1215-0017).

(ii)(A) The Contractor shall submit weekly for each week in which any contract work is performed a copy of all payrolls to the Federal Aviation Administration if the agency is a party to the contract, but if the agency is not such a party, the Contractor will submit the payrolls to the applicant, sponsor, or owner, as the case may be, for transmission to the Federal Aviation Administration. The payrolls submitted shall set out accurately and completely all of the information required to be maintained under paragraph 5.5(a)(3)(i) of Regulations, 29 CFR Part 5. This information may be submitted in any form desired.

Optional Form WH-347 is available for this purpose and may be purchased from the Superintendent of Documents (Federal Stock Number 029-005-00014-1), U.S. Government Printing Office, Washington, D.C. 20402. The prime Contractor is responsible for the submission of copies of payrolls by all subcontractors. (Approved by the Office of Management and Budget under OMB control number 1215-0149).

(ii)(B) Each payroll submitted shall be accompanied by a "Statement of Compliance," signed by the Contractor, or subcontractor or his or her agent who pays or supervises the payment of the persons employed under the contract and shall certify the following:

(1) That the payroll for the payroll period contains the information required to be maintained under paragraph 5.5(a)(3)(i) of Regulations, 29 CFR Part 5 and that such information is correct and complete;

(2) That each laborer or mechanic (including each helper, apprentice, and trainee) employed on the contract during the payroll period has been paid the full weekly wages earned, without rebate, either directly or indirectly, and that no deductions have been made either directly or indirectly from the full wages earned, other than permissible deductions as set forth in Regulations, 29 CFR Part 3;

(3) That each laborer or mechanic has been paid not less than the applicable wage rates and fringe benefits or cash equivalents for the classification of work performed as specified in the applicable wage determination incorporated into the contract.

(ii)(C) The weekly submission of a properly executed certification set forth on the reverse side of Optional Form WH-347 shall satisfy the requirement for submission of the "Statement of Compliance" required by paragraph (a)(3)(ii)(B) of this section.

(ii)(D) The falsification of any of the above certifications may subject the Contractor or subcontractor to civil or criminal prosecution under Section 1001 of Title 18 and Section 231 of Title 31 of the United States Code.

(iii) The Contractor or subcontractor shall make the records required under paragraph (a)(3)(i) of this section available for inspection, copying, or transcription by authorized representatives of the (write the name of the agency) or the Department of Labor, and shall permit such representatives to interview employees during working hours on the job. If the Contractor or subcontractor fails to submit the required records or to make them available, the Federal agency may, after written notice to the Contractor, sponsor, applicant, or owner, take such action as may be necessary to cause the suspension of any further payment, advance, or guarantee of funds. Furthermore, failure to submit the required records upon request or to make such records available may be grounds for debarment action pursuant to 29 CFR 5.12.

(4) Apprentices and Trainees

(i) Apprentices. Apprentices will be permitted to work at less than the predetermined rate for the work they performed when they are employed pursuant to and individually registered in a bona fide apprenticeship program registered with the U.S. Department of Labor, Employment and Training Administration, Bureau of Apprenticeship and Training, or with a State Apprenticeship Agency recognized by the Bureau, or if a person is employed in his or her first 90 days of probationary employment as an apprentice in such an apprenticeship program, who is not individually registered in the program, but who has been certified by the Bureau of Apprenticeship and Training or a State Apprenticeship Agency (where appropriate) to be eligible for probationary employment as an apprentice. The allowable ratio of apprentices to journeymen on the job site in any craft classification shall not be greater than the ratio permitted to the Contractor as to the entire work force under the registered program. Any worker listed on a payroll at an apprentice wage rate, who is not registered or otherwise employed as stated above, shall be paid not less than the applicable wage rate on the wage determination for the classification of work actually performed. In addition, any apprentice performing work on the job site in excess of the ratio permitted under the registered program shall be paid not less than the applicable wage rate on the wage determination for the work actually performed. Where a Contractor is performing construction on a project in a locality other than that in which its program is registered, the ratios and wage rates (expressed in percentages of the journeyman's hourly rate) specified in the Contractor's or

subcontractor's registered program shall be observed. Every apprentice must be paid at not less than the rate specified in the registered program for the apprentice's level of progress, expressed as a percentage of the journeymen hourly rate specified in the applicable wage determination. Apprentices shall be paid fringe benefits in accordance with the provisions of the apprenticeship program. If the apprenticeship program does not specify fringe benefits, apprentices must be paid the full amount of fringe benefits listed on the wage determination for the applicable classification. If the Administrator determines that a different practice prevails for the applicable apprentice classification, fringes shall be paid in accordance with that determination. In the event the Bureau of Apprenticeship and Training, or a State Apprenticeship Agency recognized by the Bureau, withdraws approval of an apprenticeship program, the Contractor will no longer be permitted to utilize apprentices at less than the applicable predetermined rate for the work performed until an acceptable program is approved.

(ii) Trainees. Except as provided in 29 CFR 5.16, trainees will not be permitted to work at less than the predetermined rate for the work performed unless they are employed pursuant to and individually registered in a program which has received prior approval, evidenced by formal certification by the U.S. Department of Labor, Employment and Training Administration. The ratio of trainees to journeymen on the job site shall not be greater than permitted under the plan approved by the Employment and Training Administration. Every trainee must be paid at not less than the rate specified in the approved program for the trainee's level of progress, expressed as a percentage of the journeyman hourly rate specified in the applicable wage determination. Trainees shall be paid fringe benefits in accordance with the provisions of the trainee program. If the trainee program does not mention fringe benefits, trainees shall be paid the full amount of fringe benefits listed on the wage determination unless the Administrator of the Wage and Hour Division determines that there is an apprenticeship program associated with the corresponding journeyman wage rate on the wage determination which provides for less than full fringe benefits for apprentices. Any employee listed on the payroll at a trainee rate who is not registered and participating in a training plan approved by the Employment and Training Administration shall be paid not less than the applicable wage rate on the wage determination for the classification of work actually performed. In addition, any trainee performing work on the job site in excess of the ration permitted under the registered program shall be paid not less than the applicable wage rate on the wage determination for the work actually performed. In the event the Employment and Training Administration withdraws approval of a training program, the contract will no longer be permitted to utilize trainees at less than the applicable predetermined rate for the work performed until an acceptable program is approved.

(iii) Equal employment opportunity. The utilization of apprentices, trainees and journeymen under this part shall be in conformity with the equal employment opportunity requirements of Executive Order 11246, as amended, and 29 CFR Part 30.

(5) Compliance with Copeland Act requirements. The Contractor shall comply with the requirements of 29 CFR Part 3, which are incorporated by reference in this contract.

(6) Subcontracts. The Contractor or subcontractor shall insert in any subcontracts the clauses contained in paragraph (a)(1) through (10) of this contract and such other clauses as the Federal Aviation Administration may by appropriate instructions require, and also a clause requiring the subcontractors to include these clauses in any lower tier subcontracts. The prime Contractor shall be responsible for the compliance by an subcontractor or lower tier subcontractor with all the contract clauses in 29 CFR 5.5.

(7) Contract determination: debarment. A breach of these contract clauses paragraphs (a)(1) through (10) and the 2nd clause (b)(1) through (5) below may be grounds for termination of the contract and for debarment as a Contractor and a subcontractor as provided in 29 CFR 5.12.

(8) Compliance with Davis-Bacon and Related Act requirements. All rulings and interpretations of the Davis-Bacon and Related Acts contained in 29 CFR Parts 1, 3, and 5 are herein incorporated by referenced in this contract.

(9) Disputes concerning labor standards. Disputes arising out of the labor standards provisions of this contract shall not be subject to the general disputes clause of this contract. Such disputes shall be resolved in accordance with the procedures of the Department of Labor set forth in 29 CFR Parts 5, 6, and 7. Disputes within the meaning

of this clause include disputes between the Contractor (or any of its subcontractors) and the contracting agency, the U.S. Department of Labor, or the employees or their representatives.

(10) Certification of Eligibility.

(i) By entering into this contract, the Contractor certifies that neither it (nor he or she) nor any person or firm who has an interest in the Contractor's firm is a person or firm ineligible to be awarded Government contracts by virtue of section 3(a) of the Davis-Bacon Act or 29 CFR 5.12(a)(1).

(ii) No part of this contract shall be subcontracted to any person or firm ineligible for award of a Government contract by virtue of section 3(a) of the Davis-Bacon Act or 29 CFR 5.12(a)(1).

(iii) The penalty for making false statements is prescribed in the U.S. Criminal Code, 18 U.S.C. 1001.

(b) Contract Work Hours and Safety Standards Act. The Agency Head shall cause or require the contracting officer to insert the following clauses set forth in paragraphs (b)(1), (2), (3), (4) and (5) of this section in full in AIP construction contracts in excess of \$2,000. These clauses shall be inserted in addition to the clauses required by paragraph 5.5(a) or paragraph 4.6 of Part 4 of this title. As used in this paragraph, the terms "laborers" and "mechanics" include watchmen and guards.

(1) Overtime requirements: No Contractor or subcontractor contracting for any part of the contract work which may require or involve the employment of laborers, mechanics, watchmen or guards (including apprentices and trainees described in paragraphs 5 and 6 above) shall require or permit any laborer, mechanic, watchman or guard in any workweek in which he/she is employed on such work, to work in excess of 40 hours in such workweek unless such laborer, mechanic, watchman or guard receives compensation at a rate not less than one and one-half times his/her basic rate of pay for all hours worked in excess of 40 hours in such workweek.

(2) Violations: Liability for Unpaid Wages; Liquidated Damages: In the event of any violation of the clause set forth in subparagraph (1) of this paragraph, the Contractor and any subcontractor responsible therefore shall be liable to any affected employee for his/her unpaid wages. In addition, such Contractor and subcontractor shall be liable to the United States (in case of work done under contract for the District of Columbia or a territory, to such District or to such territory), for liquidated damages. Such liquidated damages shall be computed with respect to each individual laborer, mechanic, watchman or guard employed in violation of the clause set forth in subparagraph (1) of this paragraph, in the sum of \$10.00 for each calendar day on which such employee was required or permitted to work in excess of the standard workweek of 40 hours without payment of the overtime wages required by the clause set forth in subparagraph (1) of this paragraph.

(3) Withholding for unpaid wages and liquidated damages. The (write in the name of the Federal agency or the loan or grant recipient) shall upon its own action or upon written request of an authorized representative of the Department of Labor withhold or cause to be withheld, from any moneys payable on account of work performed by the Contractor or subcontractor under any such contract or any other Federal contract with the same prime Contractor, or any other Federally-assisted contract subject to the Contract Work Hours and Safety Standards Act, which is held by the same prime Contractor, such sums as may be determined to be necessary to satisfy any liabilities of such Contractor or subcontractor for unpaid wages and liquidated damages as provided in the clause set forth in subparagraph (2) of this paragraph.

(4) Subcontracts. The Contractor or subcontractor shall insert in any subcontracts the clauses set forth in subparagraph (1) through (4) of this paragraph and also a clause requiring the subcontractors to include these clauses in any lower tier subcontracts. The prime Contractor shall be responsible for compliance by any subcontractor or lower tier subcontractor with the clauses set forth in subparagraphs (1) through (4) of this paragraph.

(5) Working Conditions. No Contractor or subcontractor may require any laborer or mechanic employed in the performance of any contract to work in surroundings or under working conditions that are unsanitary, hazardous, or dangerous to his health or safety as determined under construction safety and health standards (29 CFR 1926) issued by Department of Labor.

(c) In addition to the clauses contained in paragraph (b), in any contract subject only to the Contract Work Hours and Safety Standards Act and not to any of the other statutes cited in paragraph 5.1, the Agency Head shall cause or require the contracting officer to insert a clause requiring that the Contractor or subcontractor shall maintain payrolls and basic payroll records during the course of the work and shall preserve them for a period of three years from the completion of the contract for all laborers and mechanics, including guards and watchmen, working on the contract. Such records shall contain the name and address of each such employee, social security number, correct classifications, hourly rates of wages paid, daily and weekly number of hours worked, deductions made, and actual wages paid. Further, the Agency Head shall cause or require the contracting officer to insert in any such contract a clause providing that the records to be maintained under this paragraph shall be made available by the Contractor or subcontractor for inspection, copying, or transcription by authorized representatives of the (write the name of agency) and the Department of Labor, and the Contractor or subcontractor will permit such representatives to interview employees during working hours on the job. (Approved by the Office of Management and Budget under OMB control numbers 1215-0140 and 1215-0017).

FEDERAL REGULATIONS VOL. 40, #74,
WEDNESDAY, APRIL 16, 1975, PAGE 17124,
ADMINISTRATION OF THE CLEAR AIR ACT
& WATER POLLUTION CONTROL ACT
(with respect to Federal Grants)

In connection with the administration of the Clean Air Act and the Water Pollution Control Act with respect to Federal Grants, specific requirements have been imposed of any contract which is not exempt under the provisions of 40 CFR 15.5.

(1) Any facility listed on the EPA List of Violating Facilities pursuant to Paragraph 15.20 of 40 CFR as of the date of the contract award will not be utilized in the performance of any non-exempt contract or subcontract.

(2) The Contractor shall comply with all the requirements of Section 114 of the Clean Air Act, as amended, 42 USC 1857 et seq. and Section 308 of the Federal Water Pollution Control Act, as amended, 33 USC 1251 et seq. relating to inspection, monitoring, entry, reports and information, as well as all other requirements specified in Section 114 and Section 308 of the Air Act and Water Act, respectively, and all regulations and guidelines issued thereunder after the award of the contract.

(3) Prompt notification shall be required prior to contract award to the awarding official by the Contractor who will receive the award of the receipt of any communication from the Director, Office of Federal Activities, U.S. Environmental Protection Agency, indicating that a facility to be utilized for the contract is under consideration to be listed on the EPA List of Violating Facilities.

(4) The Contractor shall include or cause to be included the criteria and requirements in paragraphs 1 through 4 in any non-exempt subcontract and will take such action as the Government may direct as a means of enforcing such provisions.

Attachment No. 1

During the performance of the contract, the Contractor agrees as follows:

- (1) The Contractor will not discriminate against any employee or applicant for employment because of race, color, religion, sex or national origin. The Contractor will take affirmative action to ensure that applicants are employed, and that employees are treated during employment without regard to their race, color, religion, sex or national origin. Such action shall include, but not be limited to the following: Employment, upgrading, demotion or transfer, recruitment or recruitment advertising, layoff or termination, rates of pay or other forms of compensation, and selection for training including apprenticeship. The Contractor agrees to post in conspicuous places, available to employees and applicants for employment, notices to be provided setting forth the provisions of this nondiscrimination clause.
- (2) The Contractor will, in all solicitations or advertisements for employees placed by or on the behalf of the Contractor, state that all qualified applicants will receive consideration for employment without regard to race, color, religion, sex or national origin.
- (3) The Contractor will send to each labor union or representative of workers with which he has a collective bargaining agreement or other contract or understanding, a notice to be provided advising the said labor union or worker's representatives of the Contractor's commitments under this section, and shall post copies of the notice in conspicuous places available to employees and applicants for employment.
- (4) The Contractor will comply with all provisions of Executive Order 11246 of September 24, 1965, and of the rules, regulations, and relevant orders of the Secretary of Labor.
- (5) The Contractor will furnish all information and reports required by Executive Order 11246 of September 24, 1965, and by rules, regulations and orders of the Secretary of Labor, or pursuant thereto, and will permit access to his books, records, and accounts by the administering agency and the Secretary of Labor for purposes of investigation to ascertain compliance with such rules, regulations, and orders.
- (6) In the event of the Contractor's noncompliance with the nondiscrimination clauses of this contract or with any of the said rules, regulations, or orders, this contract may be canceled, terminated, or suspended in whole or in part and the Contractor may be declared ineligible for further government contracts or federally assisted construction contracts in accordance with procedures authorized in Executive Order 11246 of 24 September 1965, and such other sanctions may be imposed and remedies invoked as provided in Executive Order 11246 of 24 September 1965, or by rule, regulation or order of the Secretary of Labor, or as otherwise provided by law.
- (7) The Contractor will include the portion of the sentence immediately preceding paragraph (1) and the provisions of paragraphs (1) through (7) in every subcontract or purchase order unless exempted by rules, regulations, or orders of the Secretary of Labor issued pursuant to Section 204 of Executive Order 11246 of 24 September 1965, so that such provisions will be binding upon each subcontractor or vendor. The Contractor will take such action with respect to any subcontract or purchase order as the administering agency may direct as means of enforcing such provisions, including sanctions for noncompliance; provided, however, that in the event a Contractor becomes involved in, or is threatened with, litigation with a subcontractor or vendor as a result of such direction by the administering agency, the Contractor may request the United States to enter into such litigation to protect the interests of the United States.

ATTACHMENT NO. 2

EACH PRIME CONTRACTOR SHALL INSERT IN EACH SUBCONTRACT THE CERTIFICATION IN APPENDIX B, AND FURTHER, SHALL REQUIRE ITS INCLUSION IN ANY LOWER TIER SUBCONTRACT, PURCHASE ORDER, OR TRANSACTION THAT MAY IN TURN BE MADE.

- Appendix B of 49 CFR Part 29 -

This certification applies to subcontractors, material suppliers, vendors and other lower tier participants.
Appendix B--Certification Regarding Debarment, Suspension, Ineligibility and Voluntary Exclusion--Lower Tier Covered Transactions

Instructions for Certification

1. By signing and submitting this proposal, the prospective lower tier participant is providing the certification set out below.

2. The certification in this clause is a material representation of fact upon which reliance was placed when this transaction was entered into. If it is later determined that the prospective lower tier participant knowingly rendered an erroneous certification, in addition to other remedies available to the Federal Government, the department or agency with which this transaction originated may pursue available remedies, including suspension and/or debarment.

3. The prospective lower tier participant shall provide immediate written notice to the person to which this proposal is submitted if at any time the prospective lower tier participant learns that its certification was erroneous when submitted or has become erroneous by reason of changed circumstances.

4. The terms "covered transaction," "debarred," "suspended," "ineligible," "lower tier covered transaction," "participant," "person," "primary covered transaction," "principal," "proposal," and "voluntarily excluded," as used in this clause sections of rules implementing Executive Order 12549. You may contact the person to which this proposal is submitted for assistance in obtaining a copy of those regulations.

5. The prospective lower tier participant agrees by submitting this proposal that, should the proposed covered transaction be entered into, it shall not knowingly enter into any lower tier covered transaction with a person who is debarred, suspended, declared ineligible, or voluntarily excluded from participation in this covered transaction, unless authorized by the department or agency with which this transaction originated.

6. The prospective lower tier participant further agrees by submitting this proposal that it will include this clause titled "Certification Regarding Debarment, Suspension, Ineligibility and Voluntary Exclusion--Lower Tier Covered Transaction," without modification, in all lower tier covered transactions and in all solicitations for lower tier covered transactions.

7. A participant in a covered transaction may rely upon a certification of a prospective participant in a lower tier covered transaction that it is not debarred, suspended, ineligible, or voluntarily excluded from the covered transaction, unless it knows that the certification is erroneous. A participant may decide the method and frequency by which it determines the eligibility of its principals. Each participant may, but is not required to, check the Nonprocurement List.

8. Nothing contained in the foregoing shall be construed to require establishment of a system of records in order to render in good faith the certification required by this clause. The knowledge and information of a participant is not required to exceed that which is normally possessed by a prudent person in the ordinary course of business dealings.

9. Except for transactions authorized under paragraph 5 of these instructions, if a participant in a covered transaction knowingly enters into a lower tier covered transaction with a person who is suspended, debarred, ineligible, or voluntarily excluded from participation in this transaction, in addition to other remedies available to the Federal Government, the department or agency with which this transaction originated may pursue available remedies, including suspension and/or debarment.

Certification Regarding Debarment, Suspension, Ineligibility and Voluntary Exclusion--Lower Tier Covered Transactions

(1) The prospective lower tier participant certifies, by submission of this proposal, that neither it nor its principals is presently debarred, suspended, proposed for debarment, declared ineligible, or voluntarily excluded from participation in this transaction by any Federal department or agency.

(2) Where the prospective lower tier participant is unable to certify to any of the statements in this certification, such prospective participant shall attach an explanation to this proposal.

STATE REQUIRED CONTRACT PROVISIONS
ALL FEDERAL-AID CONSTRUCTION CONTRACTS

Effective February 1, 1969
Revised January 2, 1973

The following provisions are State of Illinois requirements and are in addition to the Federal requirements.

"EQUAL EMPLOYMENT OPPORTUNITY"

In the event of the Contractor's noncompliance with any provisions of this Equal Employment Opportunity Clause, the Illinois Fair Employment Practices Act or the Fair Employment Practices Commission's Rules and Regulations for Public Contracts, the Contractor may be declared nonresponsible and therefore ineligible for future contracts or subcontracts with the State of Illinois or any of its political subdivisions or municipal corporations, and the contract may be canceled or avoided in whole or in part, and such other sanctions or penalties may be imposed or remedies invoked as provided by statute or regulation.

During the performance of this contract, the Contractor agrees as follows:

- (1) That it will not discriminate against any employee or applicant for employment because of race, color, religion, sex, national origin or ancestry; and further that it will examine all job classifications to determine if minority persons or women are underutilized and will take appropriate affirmative action to rectify any such underutilization.
- (2) That, if it hires additional employees in order to perform this contract or any portion hereof, it will determine the availability (in accordance with the Commission's Rules and Regulations for Public Contracts) of minorities and women in the area(s) from which it may reasonably recruit and it will hire for each job classification for which employees are hired in such a way that minorities and women are not underutilized.
- (3) That, in all solicitations or advertisements for employees placed by it or on its behalf, it will state that all applicants will be afforded equal opportunity without discrimination because of race, color, religion, sex, national origin or ancestry.
- (4) That it will send to each labor organization or representative of workers with which it has or is bound by a collective bargaining or other agreement or understanding, a notice advising such labor organization or representative of the Contractor's obligations under the Illinois Fair Employment Practices Act and the Commission's Rules and Regulations for Public Contracts. If any such labor organization or representative fails or refuses to cooperate with the Contractor in its efforts to comply with such Act and Rules and Regulations, the Contractor will promptly so notify the Illinois Fair Employment Practices Commission and the contracting agency and will recruit employees from other sources when necessary to fulfill its obligations thereunder.
- (5) That it will submit reports as required by the Illinois Fair Employment Practices Commission's Rules and Regulations for Public Contracts, furnish all relevant information as may from time to time be requested by the Commission or the contracting agency, and in all respects comply with the Illinois Fair Employment Practices Act and the Commission's Rules and Regulations for Public Contracts.
- (6) That it will permit access to all relevant books, records, accounts and work sites by personnel of the contracting agency and the Illinois Fair Employment Practices Commission for purposes of investigation to ascertain compliance with the Illinois Fair Employment Practices Act and the Commission's Rules and Regulations for Public Contracts.
- (7) That it will include verbatim or by reference the provisions of paragraphs 1 through 7 of this clause in every performance subcontract as defined in Section 2.10(b) of the Commission's Rules and Regulations for Public Contracts so that such provisions will be binding upon every subcontractor; and that it will also so include the provisions or paragraphs 1, 5, 6 and 7 in every supply subcontract as defined in Section 2.10(a) of the Commission's Rules and Regulations for Public Contracts so that such provisions will be binding upon every such subcontractor. In the same manner as with other provisions of this contract, the Contractor will be liable for compliance with applicable provisions of this clause by all its subcontractors; and further it will promptly notify the contracting agency and the Illinois Fair Employment Practices Commission in the event any subcontractor fails or refuses to comply therewith. In addition, no Contractor will utilize any subcontractor declared by the Commission to be nonresponsible and therefore ineligible for contracts or subcontracts with the State of Illinois or any of its political subdivisions or municipal corporations.

CONSTRUCTION CONTRACT PROCUREMENT POLICIES

TABLE OF CONTENTS

SECTION 1

Proposal Requirements and Conditions

SUB-SECTION

1-01 ADVERTISEMENT (Notice to Bidders).....	46
1-02 PREQUALIFICATION OF BIDDERS.....	46
1-03 CONTENTS OF PROPOSAL FORMS	47
1-04 ISSUANCE OF PROPOSAL FORMS	47
1-05 INTERPRETATION OF QUANTITIES IN BID SCHEDULE.....	47
1-06 EXAMINATION OF PLANS, SPECIFICATIONS, AND SITE	47
1-07 PREPARATION OF THE PROPOSAL	48
1-08 REJECTION OF PROPOSALS	48
1-09 PROPOSAL GUARANTY	48
1-10 DELIVERY OF PROPOSALS	49
1-11 WITHDRAWAL OF PROPOSALS	49
1-12 PUBLIC OPENING OF PROPOSALS.....	49
1-13 DISQUALIFICATION OF BIDDERS	49
1-14 WORKER'S COMPENSATION INSURANCE.....	49

SECTION 2

Award and Execution of Contract

SUB-SECTION

2-01 CONSIDERATION OF PROPOSALS	50
2-02 AWARD OF CONTRACT	50
2-03 CANCELLATION OF AWARD	50
2-04 RETURN OF PROPOSAL GUARANTY	50
2-05 REQUIREMENT OF PERFORMANCE AND PAYMENT BONDS.....	50
2-06 EXECUTION OF CONTRACT.....	50
2-07 APPROVAL OF CONTRACT	51
2-08 FAILURE TO EXECUTE CONTRACT	51

SECTION 1

PROPOSAL REQUIREMENTS AND CONDITIONS

1-01 ADVERTISEMENT (Notice to Bidders). The State of Illinois shall publish the advertisement at such places and at such times as are required by local law or ordinances. The published advertisement shall state the time and place for submitting sealed proposals; a description of the proposed work; instructions to bidders as to obtaining proposal forms, plans, and specifications; proposal guaranty required; and the Owner's right to reject any and all bids.

For Federally assisted contracts the advertisement shall conform to the requirements of local laws and ordinances pertaining to letting of contracts and, in addition, shall conform to the requirements of the appropriate parts of the Federal Aviation Regulations applicable to the particular contract being advertised.

1-02 PREQUALIFICATION OF BIDDERS.

- (a) When the awarding authority is the State of Illinois, each prospective bidder, prior to being considered for issuance of any proposal forms will be required to file, on forms furnished by the Department, an experience questionnaire and a confidential financial statement in accordance with the Department's Instructions for Prequalification of Contractors. The Statement shall include a complete report of the prospective bidder's financial resources and liabilities, equipment, past record and personnel, and must be submitted at least thirty (30) days prior to the scheduled opening of bids in which the Contractor is interested.

After the Department has analyzed the submitted "Contractor's Statement of Experience and Financial Condition" and related information and has determined appropriate ratings, the Department will issue to the Contractor a "Certificate of Eligibility". The Certificate will permit the Contractor to obtain proposal forms and plans for any Department of Transportation letting on work which is within the limits of the Contractor's potential as indicated on his "Certificate of Eligibility", subject to any limitations due to present work under contract or pending award as determined from the Contractor's submitted "Affidavit of Availability". Bidders intending to consistently submit proposals shall submit a "Contractor's Statement of Experience and Financial Condition" at least once a year. However, prequalification may be changed during that period upon the submission of additional favorable reports or upon reports of unsatisfactory performance.

Before a proposal is issued, the prospective bidder will be required to furnish an "Affidavit of Availability" indicating the location and amount of all uncompleted work under contract, or pending award, either as principal or subcontractor, as well as a listing of all subcontractors and value of work sublet to others. The prospective bidder may be requested to file a statement showing the amount and condition of equipment which will be available.

Before an award is made, the bidder may be required to furnish an outline of his plans for conducting the work.

- (b) When the awarding authority for contract construction work is the County Board of a county; the Council, the City Council, or the President and Board of Trustees of a city, village or town, each prospective bidder, in evidence of his competence, shall furnish the awarding authority as a prerequisite to the release of proposal forms by the awarding authority, a certified or photostatic copy of a "Certificate of Eligibility" issued by the Department of Transportation, in accordance with Section 1-02(a).

The two low bidders must file within 24 hours after the letting a sworn affidavit, in triplicate, showing all uncompleted contracts awarded to them and all low bids pending award for Federal, State, County, Municipal and private work, using the blank form made available for this affidavit. One copy shall be filed with the awarding authority and two copies with the District Highway Office.

1-03 CONTENTS OF PROPOSAL FORMS. Upon request, the Department will furnish the prequalified bidders a proposal form. This form will state the location and description of the contemplated construction and will show the estimate of the various quantities and kinds of work to be performed or materials to be furnished, and will have a schedule of items for which unit bid prices are invited. The proposal form will state the time in which work must be completed, the amount of the proposal guaranty, labor requirements, and date, time and place of the opening of proposals. The form will also include any special provisions or requirements which vary from or are not contained in these specifications.

All papers bound with or attached to the proposal form are considered a part thereof and must not be detached or altered when the proposal is submitted. Any addenda officially issued by the Department, will be considered a part of the proposal whether attached or not.

For Federally assisted contracts, the proposal shall conform to the requirements of local laws and ordinances pertaining to letting of contracts and, in addition, shall conform to the requirements of the appropriate parts of the Federal Aviation Regulations pertaining to the particular contract being let.

1-04 ISSUANCE OF PROPOSAL FORMS. The Department shall refuse to issue a proposal form for any of the following reasons:

- (a) Lack of competency and adequate machinery, plant and other equipment, as revealed by the financial statement and experience questionnaires required under Section 1-02(a).
- (b) Uncompleted work which, in the judgment of the Department, might hinder or prevent the prompt completion of additional work if awarded.
- (c) False information provided on a bidder's "Affidavit of Availability".
- (d) Failure to pay, or satisfactorily settle, all bills due for labor and material on former contracts in force at the time of issuance of proposal forms.
- (e) Failure to comply with any prequalification regulations of the Department.
- (f) Default under previous contracts.
- (g) Unsatisfactory performance record as shown by past work for the Department, judged from the standpoint of workmanship and progress.
- (h) When the Contractor is suspended from eligibility to bid at a public letting where the contract is awarded by, or require approval of, the Department.
- (i) When any agent, servant, or employee of the prospective bidder currently serves as a member, employee, or agent of a governmental body that is financially involved in the proposed work.
- (j) When any agent, servant, or employee of the prospective bidder has participated in the preparation of plans or specifications for the proposed work.

1-05 INTERPRETATION OF QUANTITIES IN BID SCHEDULE. An estimate of quantities of work to be done and materials to be furnished under these specifications is given in the proposal. It is the result of careful calculations and is believed to be correct. It is given only as a basis for comparison of proposals and the award of the contract. The Owner does not expressly or by implication agree that the actual quantities involved will correspond exactly therewith; nor shall the bidder plead misunderstanding or deception because of such estimates of quantities, or of the character, location, or other conditions pertaining to the work. Payment to the Contractor will be made only for the actual quantities of work performed or materials furnished in accordance with the plans and specifications. It is understood that the quantities may be increased or decreased as provided in the subsection titled ALTERATION OF WORK AND QUANTITIES of Section 20 of the Illinois Standard Specifications for Construction of Airports without in any way invalidating the unit bid prices.

1-06 EXAMINATION OF PLANS, SPECIFICATIONS, AND SITE. The bidder is expected to carefully examine the site of the proposed work, the proposal, plans, specifications, and contract forms. He shall satisfy himself as to the character, quality, and quantities of work to be performed, materials to be furnished, and as to the requirements of the proposed contract. The submission of a proposal shall be prima facie evidence that the bidder has made such examination and is satisfied as to the conditions to be encountered in performing the work and as to the requirements of the proposed contract, plans, and specifications.

Boring logs, underground utilities and other records of subsurface investigations and tests are available for inspection of bidders. It is understood and agreed that such subsurface information, whether included in the plans, specifications, or otherwise made available to the bidder, was obtained and is intended for the Owner's design and estimating purposes only. Such information has been made available for the convenience of all bidders. It is further understood and agreed that each bidder is solely responsible for all assumptions, deductions, or conclusions which he may make or obtain from his examination of the boring logs and other records of subsurface investigations and tests that are furnished by the Owner.

1-07 PREPARATION OF THE PROPOSAL. The bidder shall submit his proposal on the form furnished by the Department. The proposal shall be executed properly, and bids shall be made for all items indicated in the proposal form, except that when alternate bids are asked, a bid on more than one alternate for each item is not required, unless otherwise provided. The bidder shall indicate, in figures, a unit price for each of the separate items called for in the proposal; he shall show the products of the respective quantities and unit prices in the column provided for that purpose, and the gross sum shown in the place indicated in the proposal shall be the summation of said products. All writing shall be with ink or typewriter, except the signature of the bidder which shall be written with ink.

If the proposal is made by an individual, his name and business address shall be shown. If made by a firm or partnership, the name and business address of each member of the firm or partnership shall be shown. If made by a corporation, the proposal shall show the names, titles, and business address of the president, secretary, and treasurer, and the seal of the corporation shall be affixed and attested by the secretary.

The proposal shall be issued to a prequalified bidder in the same name and style as the financial statement used for prequalification and shall be submitted in like manner.

1-08 REJECTION OF PROPOSALS. The Department reserves the right to reject proposals for any of the conditions in Article 1-04 or for any of the following reasons:

- (a) More than one proposal for the same work from an individual, firm, partnership, or corporation under the same or different names.
- (b) Evidence of collusion among bidders.
- (c) Unbalanced proposals in which the prices for some items are obviously out of proportion to the prices for other items.
- (d) If the proposal does not contain a unit price for each pay item listed except in the case of authorized alternate pay items or lump sum pay items.
- (e) If the proposal is other than that furnished by the Department; or if the form is altered or any part thereof is detached.
- (f) If there are omissions, erasures, alterations, unauthorized additions, conditional or alternate bids, or irregularities of any kind which may tend to make the proposal incomplete, indefinite, or ambiguous as to its meaning.
- (g) If the bidder adds any provisions reserving the right to accept or reject an award, or to enter into a contract pursuant to an award.
- (h) If the proposal is not accompanied by the proper proposal guaranty.
- (i) If the proposal is prepared with other than ink or typewriter.
- (j) If the proposal is submitted in any other name other than that to whom it was issued by the Department.

1-09 PROPOSAL GUARANTY. Each Proposal shall be accompanied by either a bid bond on the Department of Transportation, Division of Aeronautics form contained in the proposal, executed by a corporate surety company satisfactory to the Department or by a bank cashier's check or a properly certified check for not less than 5 percent of the amount bid.

Bank cashier's checks, or properly certified checks accompanying proposals shall be made payable to the Treasurer, State of Illinois.

1-10 DELIVERY OF PROPOSALS. Each proposal should be submitted in a special envelope furnished by the Department. The blank spaces on the envelope shall be filled in correctly to clearly indicate its contents. When an envelope other than the special one furnished by the Department is used, it shall be of the same general size and shape and be similarly marked to clearly indicate its contents. When sent by mail, the sealed proposal shall be addressed to the Department at the address and in care of the official in whose office the bids are to be received. All proposals shall be filed prior to the time and place specified in the Notice to Bidders. Proposals received after the time for opening of bids will be returned to the bidder unopened.

1-11 WITHDRAWAL OF PROPOSALS. Permission will be given a bidder to withdraw a proposal if he makes his request in writing or by telegram before the time for opening proposals. If a proposal is withdrawn, the bidder will not be permitted to resubmit this proposal at the same letting. With the approval of the Engineer, a bidder may withdraw a proposal and substitute a new proposal prior to the time of opening bids.

1-12 PUBLIC OPENING OF PROPOSALS. Proposals will be opened and read publicly at the time and place specified in the Notice to Bidders. Bidders, their authorized agents, and other interested parties are invited to be present.

1-13 DISQUALIFICATION OF BIDDERS. A bidder shall be considered disqualified for any of the following reasons:

- (a) Submitting more than one proposal from the same partnership, firm, or corporation under the same or different name.
- (b) Evidence of collusion among bidders. Bidders participating in such collusion shall be disqualified as bidders for any future work of the Owner.
- (c) If the bidder is considered to be in "default" for any reason specified in the Subsection 1-04 titled ISSUANCE OF PROPOSAL FORMS of this section.

1-14 WORKER'S COMPENSATION INSURANCE. Prior to the approval of his contract by the Division, the Contractor shall furnish to the Division certificates of insurance covering Worker's Compensation, or satisfactory evidence that this liability is otherwise taken care of in accordance with Section 4.(a) of the "Worker's Compensation Act of the State of Illinois" as amended.

SECTION 2

AWARD AND EXECUTION OF CONTRACT

2-01 CONSIDERATION OF PROPOSALS. After the proposals are publicly opened and read, they will be compared on the basis of the summation of the products obtained by multiplying the estimated quantities shown in the proposal by the unit bid prices. In the event of a discrepancy between unit bid prices and extensions, the unit bid price shall govern.

Until the award of a contract is made, the Owner reserves the right to reject a bidder's proposal for any of the following reasons:

- (a) If the proposal is irregular as specified in the subsection titled REJECTION OF PROPOSALS of Section 1.
- (b) If the bidder is disqualified for any of the reasons specified in the subsection titled DISQUALIFICATION OF BIDDERS of Section 1.

In addition, until the award of a contract is made, the Owner reserves the right to reject any or all proposals; waive technicalities, if such waiver is in the best interest of the Owner and is in conformance with applicable State and Local laws or regulations pertaining to the letting of construction contracts; advertise for new proposals; or proceed with the work otherwise.

2-02 AWARD OF CONTRACT. The award of contract will be made within 60 calendar days after the opening of proposals to the lowest responsible and qualified bidder whose proposal complies with all the requirements prescribed. The successful bidder will be notified by letter, that his bid has been accepted, and that he has been awarded the contract.

If a contract is not awarded within 60 days after the opening of proposals, a bidder may file a written request with the Division for the withdrawal of his bid and the Division will permit such withdrawal.

For Federally assisted contracts, unless otherwise specified in this subsection, no award shall be made until the FAA has concurred in the Owner's recommendation to make such award and has approved the Owner's proposal contract to the extent that such concurrence and approval are required by Federal Regulations.

2-03 CANCELLATION OF AWARD. The Division reserves the right to cancel the award without liability to the bidder at any time before a contract has been fully executed by all parties and is approved by the Owner in accordance with the subsection titled APPROVAL OF CONTRACT of this section. The Division at the time of cancellation will return the proposal guaranty.

2-04 RETURN OF PROPOSAL GUARANTY. The proposal guaranties of all except the two lowest bidders will be returned promptly after the proposals have been checked, tabulated, and the relation of the proposals established. Proposal guaranties of the two lowest bidders will be returned as soon as the Construction Contract, Performance Bonds, and Payment Bonds of the successful bidder have been properly executed and approved.

If any other form of proposal guaranty is used, other than a bid bond, a bid bond may be substituted at the Contractor's option.

2-05 REQUIREMENT OF PERFORMANCE AND PAYMENT BONDS. The successful bidder for a contract, at the time of the execution of the contract, shall deposit with the Division separate performance and payment bonds each for the full amount of the contract. The form of the bonds shall be that furnished by the Division, and the sureties shall be acceptable to the Division.

2-06 EXECUTION OF CONTRACT. The successful bidder shall sign (execute) the Contract and shall return the signed Contract to the Owner (Sponsor) for signature (execution) and subsequently return all copies to the Division. The fully executed surety bonds specified in the subsection title REQUIREMENTS OF PERFORMANCE AND

PAYMENT BONDS of this section will be forwarded to the Division within 15 days of the date mailed or otherwise delivered to the successful bidder. If the Contract and Bonds are mailed, special handling is recommended.

If the bidder to whom award is to be made is a corporation organized under the laws of a State other than Illinois, the bidder shall furnish the Division a copy of the corporation's certificate of authority to do business in the State of Illinois with the return of the executed contract and bond. Failure to furnish such evidence of a certificate of authority within the time required will be considered as just cause for the annulment of the award and the forfeiture of the proposal guaranty to the State, not as a penalty, but in payment of liquidated damages sustained as a result of such failure.

2-07 APPROVAL OF CONTRACT. Upon receipt of the contract and bonds that have been executed by the successful bidder, the Owner shall complete the execution of the contract in accordance with local laws or ordinances, and return the contract to the Division for approval and execution by the Division. Delivery of the fully executed contract to the Contractor shall constitute the Department's approval to be bound by the successful bidder's proposal and the terms of the contract.

2-08 FAILURE TO EXECUTE CONTRACT. If the contract is not executed by the Division within 15 days following receipt from the bidder of the properly executed contracts and bonds, the bidder shall have the right to withdraw his bid without penalty.

Failure of the successful bidder to execute the contract and file acceptable bonds within 15 days after the contract has been mailed to him shall be just cause for the cancellation of the award and the forfeiture of the proposal guaranty which shall become the property of the State, not as a penalty, but as liquidation of damages sustained.

ILLINOIS DEPARTMENT OF TRANSPORTATION

DIVISION OF AERONAUTICS

The requirements of the following provisions written for Federally-assisted construction contracts, including all goals and timetables and affirmative action steps, shall also apply to all State-funded construction contracts awarded by the Illinois Department of Transportation.

NOTICE OF REQUIREMENT FOR AFFIRMATIVE ACTION TO ENSURE EQUAL EMPLOYMENT OPPORTUNITY (EXECUTIVE ORDER 11246)

1. The Offeror's or Bidder's attention is called to the "Equal Opportunity Clause" and the "Standard Federal Equal Employment Opportunity Construction Contract Specifications" set forth herein.

2. The goals and timetables for minority and female participation, expressed in percentage terms for the Contractor's aggregate workforce in each trade on all construction work in the covered area, are as follows:

APPENDIX A

The following goal for female utilization in each construction craft and trade shall apply to all Contractors holding Federal and federally assisted construction contracts and subcontracts in excess of \$10,000. The goal is applicable to the Contractor's total on-site construction workforce, regardless of whether or not part of that workforce is performing work on a Federal, federally assisted or nonfederally related construction contract or subcontract.

AREA COVERED (STATEWIDE)

Goals for Women apply nationwide.

GOAL

	Goal (percent)
Female Utilization.....	... 6.9

APPENDIX B

Until further notice, the following goals for minority utilization in each construction craft and trade shall apply to all Contractors holding Federal and federally-assisted construction contracts and subcontracts in excess of \$10,000. to be performed in the respective geographical areas. The goals are applicable to the Contractor's total on-site construction workforce, regardless of whether or not part of that workforce is performing work on a Federal, federally-assisted or nonfederally related construction contract or subcontract.

<u>Economic Area</u>	<u>Goal (percent)</u>
056 Paducah, KY:	
Non-SMSA Counties -	5.2
IL - Hardin, Massac, Pope	
KY - Ballard, Caldwell, Calloway, Carlisle, Crittenden,	
Fulton, Graves, Hickman, Livingston, Lyon, McCracken, Marshall	

Revised 08-31-83

<u>Economic Area</u>	<u>Goal (percent)</u>
080 Evansville, IN:	
Non-SMSA Counties -	3.5
IL - Edwards, Gallatin, Hamilton, Lawrence, Saline, Wabash, White	
IN - Dubois, Knox, Perry, Pike, Spencer	
KY - Hancock, Hopkins, McLean, Mublenberg, Ohio, Union, Webster	
081 Terre Haute, IN:	
Non-SMSA Counties -	2.5
IL - Clark, Crawford	
IN - Parke	
083 Chicago, IL:	
SMSA Counties:	19.6
1600 Chicago, IL -	
IL - Cook, DuPage, Kane, Lake, McHenry, Will	
3740 Kankakee, IL -	9.1
IL - Kankakee	
Non-SMSA Counties	18.4
IL - Bureau, DeKalb, Grundy, Iroquois, Kendall, LaSalle, Livingston, Putnam	
IN - Jasper, Laporte, Newton, Pulaski, Starke	
084 Champaign - Urbana, IL:	
SMSA Counties:	
1400 Champaign - Urbana - Rantoul, IL -	7.8
IL - Champaign	
Non-SMSA Counties -	4.8
IL - Coles, Cumberland, Douglas, Edgar, Ford, Piatt, Vermilion	
085 Springfield - Decatur, IL:	
SMSA Counties:	
2040 Decatur, IL -	7.6
IL - Macon	
7880 Springfield, IL -	4.5
IL - Mendard, Sangamon	
Non-SMSA Counties	4.0
IL - Cass, Christian, Dewitt, Logan, Morgan, Moultrie, Scott, Shelby	
086 Quincy, IL:	
Non-SMSA Counties	3.1
IL - Adams, Brown, Pike	
MO - Lewis, Marion, Pike, Ralls	

Revised 08-31-83

APPENDIX B (CONTINUED)

<u>Economic Area</u>	<u>Goal (percent)</u>
087 Peoria, IL:	
SMSA Counties:	
1040 Bloomington - Normal, IL - IL - McLean	2.5
6120 Peoria, IL - IL - Peoria, Tazewell, Woodford	4.4
Non-SMSA Counties - IL - Fulton, Knox, McDonough, Marshall, Mason, Schuyler, Stark, Warren	3.3
088 Rockford, IL:	
SMSA Counties:	
6880 Rockford, IL - IL - Boone, Winnebago	6.3
Non-SMSA Counties - IL - Lee, Ogle, Stephenson	4.6
098 Dubuque, IA:	
Non-SMSA Counties - IL - JoDaviess IA - Atlamakee, Clayton, Delaware, Jackson, Winnesheik WI - Crawford, Grant, Lafayette	0.5
099 Davenport, Rock Island, Moline, IA - IL:	
SMSA Counties:	
1960 Davenport, Rock Island, Moline, IA - IL - IL - Henry, Rock Island IA - Scott	4.6
Non-SMSA Counties - IL - Carroll, Hancock, Henderson, Mercer, Whiteside IA - Clinton, DesMoines, Henry, Lee, Louisa, Muscatine MO - Clark	3.4
107 St. Louis, MO:	
SMSA Counties:	
7040 St. Louis, MO - IL - IL - Clinton, Madison, Monroe, St. Clair MO - Franklin, Jefferson, St. Charles, St. Louis, St. Louis City	14.7
Non-SMSA Counties - IL - Alexander, Bond, Calhoun, Clay, Effingham, Fayette, Franklin, Greene, Jackson, Jasper, Jefferson, Jersey, Johnson, Macoupin, Marion, Montgomery, Perry, Pulaski, Randolph, Richland, Union, Washington, Wayne, Williamson MO - Bollinger, Butler, Cape Girardeau, Carter, Crawford, Dent, Gasconade, Iron, Lincoln, Madison, Maries, Mississippi, Montgomery, Perry, Phelps, Reynolds, Ripley, St. Francois, St. Genevieve, Scott, Stoddard, Warren, Washington, Wayne	11.4

Revised 08-31-83

These goals are applicable to all the Contractor's construction work (whether or not it is Federal or federally assisted) performed in the covered area. If the Contractor performs construction work in a geographical area located outside of the covered area, it shall apply the goals established for such geographical area where the work is actually performed. With regard to this second area, the Contractor also is subject to the goals for both its federally involved and nonfederally involved construction.

The Contractor's compliance with Executive Order and the regulations in 41 CFR Part 60-4 shall be based on its implementation of the Equal Opportunity Clause, specific affirmative action obligations required by the provisions and specifications set forth in its federally assisted contracts, and its efforts to meet the goals established for the geographical area where the contract resulting from this solicitation is to be performed. The hours of minority and female employment and training must be substantially uniform throughout the length of the contract, and in each trade, and the Contractor shall make a good faith effort to employ minorities and women evenly on each of its projects. The transfer of minority or female employees or trainees from Contractor to Contractor or from project to project for the sole purpose of meeting the Contractor's goals shall be a violation of the contract, the Executive Order and the regulations in 41 CFR Part 60-4. Compliance with the goals will be measured against the total work hours performed.

3. The Illinois Division of Aeronautics will provide written notification to the Director of the Office of Federal Contract Compliance Programs within 10 working days of award of any construction contract and/or subcontract in excess of \$10,000 at any tier for construction work under the contract resulting from this solicitation. This notification will list the name, address and telephone number of the subcontractor; employer identification number; estimated dollar amount of the subcontract; estimated starting and completion dates of the subcontract; and the geographical area in which the contract is to be performed.

4. As used in this Notice, and in the contract resulting from this solicitation, the "covered area" is the entire State of Illinois for the goal set forth in APPENDIX A and the county or counties in which the work is located for the goals set forth in APPENDIX B.

Revised 08-31-83

STANDARD FEDERAL EQUAL EMPLOYMENT
OPPORTUNITY CONSTRUCTION CONTRACT
SPECIFICATIONS (EXECUTIVE ORDER 11246)

1. As used in these specifications:
 - a) "Covered area" means the geographical area described in the solicitation from which this contract resulted;
 - b) "Director" means Director, Office of Federal Contract Compliance Programs, United States Department of Labor, or any person to whom the Director delegates authority;
 - c) "Employer identification number" means the Federal Social Security number used on the Employer's Quarterly Federal Tax Return, U.S. Treasury Department Form 941;
 - d) "Minority" includes:
 - (i) Black (all persons having origins in any of the Black African racial groups not of Hispanic origin);
 - (ii) Hispanic (all persons of Mexican, Puerto Rican, Cuban, Central or South American or other Spanish Culture or origin, regardless of race);
 - (iii) Asian and Pacific Islander (all persons having origins in any of the original peoples of the Far East, Southeast Asia, the Indian Subcontinent, or the Pacific Islands); and
 - (iv) American Indian or Alaskan Native (all persons having origins in any of the original peoples of North America and maintaining identifiable tribal affiliations through membership and participation or community identification).
2. Whenever the Contractor, or any Subcontractor at any tier, subcontracts a portion of the work involving any construction trade, it shall physically include in each subcontract in excess of \$10,000. the provisions of these specifications and the Notice which contains the applicable goals for minority and female participation and which is set forth in the solicitations from which this contract resulted.
3. If the Contractor is participating (pursuant to 41 CFR 60-4.5) in a Hometown Plan approved by the U.S. Department of Labor in the covered area either individually or through an association, its affirmative action obligations on all work in the plan area (including goals and timetables) shall be in accordance with that Plan for those trades which have unions participating in the Plan. Contractors must be able to demonstrate their participation in and compliance with the provisions of any such Hometown Plan. Each Contractor or Subcontractor participating in an approved Plan is individually required to comply with its obligations under the EEO clause, and to make a good faith effort to achieve each goal under the Plan in each trade in which it has employees. The overall good faith performance by other Contractors or Subcontractors toward a goal in an approved Plan does not excuse any covered Contractor's or Subcontractor's failure to take good faith efforts to achieve the Plan goals and timetables.
4. The Contractor shall implement the specific affirmative action standards provided in paragraphs 7a through p of these specifications. The goals set forth in the solicitation from which this contract resulted are expressed as percentages of the total hours of employment and training of minority and female utilization the Contractor should reasonably be able to achieve in each construction trade in which it has employees in the covered area. Covered Construction Contractors performing construction work in geographical areas where they do not have a Federal or federally assisted construction contract shall apply the minority and female goals established for the geographical area where the work is being performed. Goals are published periodically in the Federal Register in notice form, and such notices may be obtained from any Office of Federal Contract Compliance Programs office or from Federal procurement contracting officers. The Contractor is expected to make substantially uniform progress toward its goals in each craft during the period specified.
5. Neither the provisions of any collective bargaining agreement, nor the failure by a union with whom the Contractor has a collective bargaining agreement, to refer either minorities or women shall excuse the Contractor's obligations under these specifications, Executive Order 11246, or the regulations promulgated pursuant thereto.

Revised 08-31-83

6. In order for the nonworking training hours of apprentices and trainees to be counted in meeting the goals, such apprentices and trainees must be employed by the Contractor during the training period, and the Contractor must have made a commitment to employ the apprentices and trainees at the completion of their training, subject to the availability of employment opportunities. Trainees must be trained pursuant to training programs approved by the U.S. Department of Labor.
7. The Contractor shall take specific affirmative actions to ensure equal employment opportunity. The evaluation of the Contractor's compliance with these specifications shall be based upon its effort to achieve maximum results from its actions. The Contractor shall document these efforts fully, and shall implement affirmative action steps at least as extensive as the following:
 - a) Ensure and maintain a working environment free of harassment, intimidation, and coercion at all sites, and in all facilities at which the Contractor's employees are assigned to work. The Contractor, where possible, will assign two or more women to each construction project. The Contractor shall specifically ensure that all foremen, superintendents, and other on-site supervisory personnel are aware of and carry out the Contractor's obligation to maintain such a working environment, with specific attention to minority or female individuals working as such sites or in such facilities.
 - b) Establish and maintain a current list of minority and female recruitment sources, provide written notification to minority and female recruitment sources and to community organizations when the Contractor or its unions have employment opportunities available, and maintain a record of the organizations' responses.
 - c) Maintain a current file of the names, addresses and telephone numbers of each minority and female off-the-street applicant and minority or female referral from a union, a recruitment source or community organization and of what action was taken with respect to each such individual. If such individual was sent to the union hiring hall for referral and was not referred back to the Contractor by the union or, if referred, not employed by the Contractor, this shall be documented in the file with the reason therefor, along with whatever additional actions the Contractors may have taken.
 - d) Provide immediate written notification to the Director when the union or unions with which the Contractor has a collective bargaining agreement has not referred to the Contractor a minority person or woman sent by the Contractor, or when the Contractor has other information that the union referral process has impeded the Contractor's efforts to meet its obligations.
 - e) Develop on-the-job training opportunities and/or participate in training programs for the area which expressly include minorities and women, including upgrading programs and apprenticeship and trainee programs relevant to the Contractor's employment needs, especially those programs funded or approved by the Department of Labor. The Contractor shall provide notice of these programs to the sources compiled under 7b above.
 - f) Disseminate the Contractor's EEO policy by providing notice of the policy to unions and training programs and requesting their cooperation in assisting the Contractor in meeting its EEO obligations; by including it in any policy manual and collective bargaining agreements; by publicizing it in the company newspaper, annual report, etc.; by specific review of the policy with all management personnel and with all minority and female employees at least once a year; and by posting the company EEO policy on bulletin boards accessible to all employees at each location where construction work is performed.

Revised 08-31-83

- g) Review, at least annually, the company's EEO policy and affirmative action obligations under these specifications with all employees having any responsibility for hiring, assignment, layoff, termination or other employment decisions including specific review of these items with onsite supervisory personnel such as Superintendents, General Foreman, etc., prior to the initiation of construction work at any job site. A written record shall be made and maintained identifying the time and place of these meetings, persons attending, subject matter discussed, and disposition of the subject matter.
- h) Disseminate the Contractor's EEO policy externally by including it in any advertising in the news media, specifically including minority and female news media, and providing written notification to and discussing the Contractor's EEO policy with other Contractors and Subcontractors with whom the Contractor does or anticipates doing business.
- i) Direct its recruitment efforts, both oral and written, to minority, female and community organizations, to schools with minority and female students and to minority and female recruitment and training organizations serving the Contractor's recruitment area and employment needs. Not later than one month prior to the date for the acceptance of applications for apprenticeship or other training by any recruitment source, the Contractor shall send written notification to organizations such as the above, describing the openings, screening procedures, and tests to be used in the selection process.
- j) Encourage present minority and female employees to recruit other minority persons and women and, where reasonable, provide after school, summer and vacation employment to minority and female youth both on the site and in other areas of a Contractor's workforce.
- k) Validate all tests and other selection requirements where there is an obligation to do so under 41 CFR Part 60-3.
- l) Conduct, at least annually, an inventory and evaluation at least of all minority and female personnel for promotional opportunities and encourage these employees to seek or to prepare for, through appropriate training, etc., such opportunities.
- m) Ensure that seniority practices, job classifications, work assignments and other personnel practices, do not have a discriminatory effect by continually monitoring all personnel and employment related activities to ensure that the EEO policy and the Contractor's obligations under these specifications are being carried out.
- n) Ensure that all facilities and company activities are nonsegregated except that separate or single-user toilet and necessary changing facilities shall be provided to assure privacy between the sexes.
- o) Document and maintain a record of all solicitations of offers for subcontracts from minority and female construction Contractors and suppliers, including circulation of solicitations to minority and female Contractor associations and other business associations.
- p) Conduct a review, at least annually, of all supervisors' adherence to and performance under the Contractor's EEO policies and affirmative action obligations.

Revised 08-31-83

8. Contractors are encouraged to participate in voluntary associations which assist in fulfilling one or more of their affirmative action obligations (7a through p). The efforts of a Contractor association, joint Contractor-union, Contractor-community, or other similar group of which the Contractor is a member and participant, may be asserted as fulfilling any one or more of its obligations under 7a through p of these Specifications provided that the Contractor actively participates in the group, makes every effort to assure that the group has a positive impact on the employment of minorities and women in the industry, ensures that the concrete benefits of the program are reflected in the Contractor's minority and female workforce participation makes a good faith effort to meet its individual goals and timetables, and can provide access to documentation which demonstrates the effectiveness of actions taken on behalf of the Contractor. The obligation to comply, however, is the Contractor's and failure of such a group to fulfill an obligation shall not be a defense for the Contractor's noncompliance.
9. A single goal for minorities and a separate single goal for women have been established. The Contractor, however, is required to provide equal employment opportunity and to take affirmative action for all minority groups, both male and female, and all women, both minority and non-minority. Consequently, the Contractor may be in violation of the Executive Order if a particular group is employed in a substantially disparate manner (for example, even though the Contractor has achieved its goals for women generally, the Contractor may be in violation of the Executive Order if a specified minority group of women is underutilized).
10. The Contractor shall not use the goals and timetables or affirmative action standards to discriminate against any person because of race, color, religion, sex, or national origin.
11. The Contractor shall not enter into any Subcontract with any person or firm debarred from Government contracts pursuant to Executive Order 11246.
12. The Contractor shall carry out such sanctions and penalties for violation of these specifications and of the Equal Opportunity Clause, including suspension, termination and cancellation of existing subcontracts as may be imposed or ordered pursuant to Executive Order 11246, as amended, and its implementing regulations, by the Office of Federal Contract Compliance Programs. Any Contractor who fails to carry out such sanctions and penalties shall be in violation of these specifications and Executive Order 11246, as amended.
13. The Contractor, in fulfilling its obligations under these specifications, shall implement specific affirmative action steps, at least as extensive as those standards prescribed in paragraph 7 of these specifications, so as to achieve maximum results from its efforts to ensure equal opportunity. If the Contractor fails to comply with the requirements of the Executive Order, the implementing regulations, or these specifications, the Director shall proceed in accordance with 41 CFR 60-4.8.
14. The Contractor shall designate a responsible official to monitor all employment related activity to ensure that the company EEO policy is being carried out, to submit reports relating to the provisions hereof as may be required by the Government and to keep records. Records shall at least include for each employee the name, address, telephone numbers, construction trade, union affiliation if any, employee identification number when assigned, social security number, race, sex, status (e.g., mechanic, apprentice, trainee, helper, or laborer), dates of changes in status, hours worked per week in the indicated trade, rate of pay, and locations at which the work was performed. Records shall be maintained in an easily understandable and retrievable form; however, to the degree that existing records satisfy his requirement, Contractors shall not be required to maintain separate records.
15. Nothing herein provided shall be construed as a limitation upon the application of other laws which establish different standards of compliance or upon the application of requirements for the hiring of local or other area residents (e.g., those under the Public Works Employment Act of 1977 and the Community Development Block Grant Program).

Revised 08-31-83

ANNUAL EEO-1 REPORT TO JOINT REPORTING COMMITTEE AS REQUIRED AT

41 CFR 60-1.7(a)

Any Contractor having a Federal contract of \$50,000 or more and 50 or more employees is required to file annual compliance reports on Standard Form 100 (EEO-1) with the Joint Reporting Committee in accordance with the instructions provided with the form. The Contractor will provide a copy of such a report to the contracting agency within 30 days after the award of a contract.

The Contractor shall require its subcontractors to file an SF 100 within 30 days after award of the subcontract if (1) it is not exempt from the provisions of these regulations in accordance with 60-1.5, (2) has 50 or more employees, (3) first tier subcontractor, and (4) has a subcontract amounting to \$50,000 or more.

Subcontractors below the first tier which perform construction work at the site of construction shall be required to file such a report if (1) it is not exempt from the provisions of these regulations in accordance with 60-1.5, (2) has 50 or more employees and has a subcontract amounting to \$50,000 or more.

The SF 100 is available at the following address:

Joint Reports Committee
EEOC - Survey Division
1801 "L" Street N.W.
Washington, D.C. 20750

Phone (202) 663-4968

DISADVANTAGED BUSINESS POLICY

I. NOTICE

This proposal contains the special provision entitled "Required Disadvantaged Business Participation." Inclusion of this Special Provision in this contract satisfies the obligations of the Department of Transportation under federal law as implemented by 49 CFR 23 and under the Illinois "Minority and Female Business Enterprise Act."

II. POLICY

It is public policy that the businesses defined in 49 CFR Part 23 shall have the maximum opportunity to participate in the performance of contracts financed in whole or in part with State or Federal funds. Consequently, the requirements of 49 CFR Part 23 apply to this contract.

III. OBLIGATION

The Contractor agrees to ensure that the businesses defined in 49 CFR Part 23 have the maximum opportunity to participate in the performance of this contract. In this regard, the Contractor shall take all necessary and reasonable steps, in accordance with 49 CFR Part 23, to ensure that the said businesses have the maximum opportunity to compete for and perform portions of this contract. The Contractor shall not discriminate on the basis of race, color, national origin, or sex in the selection and retention of subcontractors, including procurement of materials and leases of equipment.

The Contractor shall include the above Policy and Obligation statements of this Special Provision in every subcontract, including procurement of materials and leases of equipment.

IV. DBE/WBE CONTRACTOR FINANCE PROGRAM

On contracts where a loan has been obtained through the DBE/WBE Contractor Finance Program, the Contractor shall cooperate with the Department by making all payments due to the DBE/WBE Contractor by means of a two-payee check payable to the Lender (Bank) and the Borrower (DBE/WBE Contractor).

V. BREACH OF CONTRACT

Failure to carry out the requirements set forth above and in the Special Provision shall constitute a breach of contract and may result in termination of the contract or liquidated damages as provided in the special provision.

(Rev. 9/21/92)

State of Illinois
Department of Transportation

SPECIAL PROVISION
FOR
DISADVANTAGED BUSINESS ENTERPRISE PARTICIPATION

- I. **FEDERAL OBLIGATION:** The Department of Transportation, as a recipient of federal financial assistance, is required to take all necessary and reasonable steps to ensure nondiscrimination in the award and administration of contracts. Consequently, the federal regulatory provisions of 49 CFR part 26 apply to this contract concerning the utilization of disadvantaged business enterprises. This Special Provision will also be used by the Department to satisfy the requirements of the Business Enterprise for Minorities, Females, and Persons with Disabilities Act, 30 ILCS 575. For the purposes of this Special Provision, a disadvantaged business enterprise (DBE) means a business certified by the Department in accordance with the requirements of 49 CFR part 26 and listed in the DBE Directory or most recent addendum.
- II. **CONTRACTOR ASSURANCE:** The Contractor makes the following assurance and agrees to include the assurance in each subcontract that the Contractor signs with a subcontractor:
- The contractor, subrecipient or subcontractor shall not discriminate on the basis of race, color, national origin, or sex in the performance of this contract. The contractor shall carry out applicable requirements of 49 CFR part 26 in the award and administration of federally-assisted contracts. Failure by the contractor to carry out these requirements is a material breach of this contract, which may result in the termination of this contract or such other remedy as the recipient deems appropriate.
- III. **OVERALL GOAL SET FOR THE DEPARTMENT:** As a requirement of compliance with 49 CFR part 26, the Department has set an overall goal for DBE participation in its federally assisted contracts. That goal is 22.7% of all federal-aid funds the Department will expend in its federally assisted contracts for the subject reporting fiscal year. The Department is required to make a good faith effort to achieve this goal. The dollar amount paid to all approved DBE firms performing work called for in this contract is eligible to be credited toward fulfillment of the Department's overall goal.
- IV. **CONTRACT GOAL TO BE ACHIEVED BY THE CONTRACTOR:** This contract includes a specific DBE utilization goal established by the Department. The goal has been included because the Department has determined that the work of this contract has subcontracting opportunities that may be suitable for performance by DBE companies. This determination is based on an assessment of the type of work, the location of the work, and the availability of DBE companies to do a part of the work. The assessment indicates that, in the absence of unlawful discrimination, and in an arena of fair and open competition, DBE companies can be expected to perform **5.0%** of the work. This percentage is set as the DBE participation goal for this contract. Consequently, in addition to the other award criteria established for this contract, the Department will award this contract to a bidder who makes a good faith effort to meet this goal of DBE participation in the performance of the work. A bidder makes a good faith effort for award consideration if either of the following is done in accordance with the procedures set forth in this Special Provision:
- A. The bidder documents that firmly committed DBE participation has been obtained to meet the goal; or
- B. The bidder documents that a good faith effort has been made to meet the goal, even though the effort did not succeed in obtaining enough DBE participation to meet the goal.

- V. DBE LOCATOR REFERENCES: Bidders may consult the DBE Directory as a reference source for DBE companies certified by the Department. In addition, the Department maintains a letting and item specific DBE locator information system whereby DBE companies can register their interest in providing quotes on particular bid items advertised for letting. Information concerning DBE companies willing to quote work for particular contracts may be obtained by contacting the Department's Bureau of Small Business Enterprises at telephone number (217)785-4611, or by visiting the Department's web site at www.dot.state.il.us.
- VI. BIDDING PROCEDURES: Compliance with the bidding procedures of this Special Provision is required prior to the award of the contract and the failure of the as-read low bidder to comply will render the bid nonresponsive.
- A. In order to assure the timely award of the contract, the as-read low bidder must submit a Disadvantaged Business Utilization Plan on Department form SBE 2026 within seven (7) working days after the date of letting. To meet the seven (7) day requirement, the bidder may send the Plan by certified mail or delivery service within the seven (7) working day period. If a question arises concerning the mailing date of a Plan, the mailing date will be established by the U.S. Postal Service postmark on the original certified mail receipt from the U.S. Postal Service or the receipt issued by a delivery service. It is the responsibility of the as-read low bidder to ensure that the postmark or receipt date is affixed within the seven (7) working days if the bidder intends to rely upon mailing or delivery to satisfy the submission day requirement. The Plan is to be submitted to the Department of Transportation, Bureau of Small Business Enterprises, Contract Compliance Section, 2300 South Dirksen Parkway, Room 319, Springfield, Illinois 62764 (Telefax: (217) 785-1524). It is the responsibility of the bidder to obtain confirmation of telefax delivery. The Department will not accept a Utilization Plan if it does not meet the seven (7) day submittal requirement, and the bid will be declared nonresponsive. In the event the bid is declared nonresponsive due to a failure to submit a Plan or failure to comply with the bidding procedures set forth herein, the Department may elect to cause the forfeiture of the penal sum of the bidder's proposal guaranty, and may deny authorization to bid the project if re-advertised for bids. The Department reserves the right to invite any other bidder to submit a Utilization Plan at any time for award consideration or to extend the time for award.
- B. The Utilization Plan shall indicate that the bidder either has obtained sufficient DBE participation commitments to meet the contract goal or has not obtained enough DBE participation commitments in spite of a good faith effort to meet the goal. The Utilization Plan shall further provide the name, telephone number and telefax number of a responsible official of the bidder designated for purposes of notification of plan approval or disapproval under the procedures of this Special Provision.
- C. The Utilization Plan shall include a DBE Participation Commitment Statement, Department form SBE 2025, for each DBE proposed for the performance of work to achieve the contract goal. The signatures on these forms must be original signatures. All elements of information indicated on the said form shall be provided, including but not limited to the following:
1. The name and address of each DBE to be used;
 2. A description, including pay item numbers, of the commercially useful work to be done by each DBE;
 3. The price to be paid to each DBE for the identified work specifically stating the quantity, unit price and total subcontract price for the work to be completed by the DBE. If partial pay items are to be performed by the DBE, indicate the portion of each item, a unit price where appropriate and the subcontract price amount;
 4. A commitment statement signed by the bidder and each DBE evidencing availability and intent to perform commercially useful work on the project; and
 5. If the bidder is a joint venture comprised of DBE firms and non-DBE firms, the plan must also include a clear identification of the portion of the work to be performed by the DBE partner(s).

D. The contract will not be awarded until the Utilization Plan submitted by the bidder is approved. The Utilization Plan will be approved by the Department if the Plan commits sufficient commercially useful DBE work performance to meet the contract goal. The Utilization Plan will not be approved by the Department if the Plan does not commit sufficient DBE performance to meet the contract goal unless the bidder documents that it made a good faith effort to meet the goal. The good faith procedures of Section VIII of this special provision apply. If the Utilization Plan is not approved because it is deficient in a technical matter, unless waived by the Department, the bidder will be notified and will be allowed no less than a five (5) working day period in order to cure the deficiency.

VII. CALCULATING DBE PARTICIPATION: The Utilization Plan values represent work anticipated to be performed and paid for upon satisfactory completion. The Department is only able to count toward the achievement of the overall goal and the contract goal the value of payments made for the work actually performed by DBE companies. In addition, a DBE must perform a commercially useful function on the contract to be counted. A commercially useful function is generally performed when the DBE is responsible for the work and is carrying out its responsibilities by actually performing, managing, and supervising the work involved. The Department and Contractor are governed by the provisions of 49 CFR part 26.55(c) on questions of commercially useful functions as it affects the work. Specific counting guidelines are provided in 49 CFR part 26.55, the provisions of which govern over the summary contained herein.

A. DBE as the Contractor: 100% goal credit for that portion of the work performed by the DBE's own forces, including the cost of materials and supplies. Work that a DBE subcontracts to a non-DBE firm does not count toward the DBE goals.

B. DBE as a joint venture Contractor: 100% goal credit for that portion of the total dollar value of the contract equal to the distinct, clearly defined portion of the work performed by the DBE's own forces.

C. DBE as a subcontractor: 100% goal credit for the work of the subcontract performed by the DBE's own forces, including the cost of materials and supplies. Work that a DBE subcontractor in turn subcontracts to a non-DBE firm does not count toward the DBE goal.

D. DBE as a trucker: 100% goal credit for trucking participation provided the DBE is responsible for the management and supervision of the entire trucking operation for which it is responsible. At least one truck owned, operated, licensed and insured by the DBE must be used on the contract. Credit will be given for the full value of all such DBE trucks operated using DBE employed drivers. Goal credit will be limited to the value of the reasonable fee or commission received by the DBE if trucks are leased from a non-DBE company.

E. DBE as a material supplier:

1. 60% goal credit for the cost of the materials or supplies purchased from a DBE regular dealer.
2. 100% goal credit for the cost of materials or supplies obtained from a DBE manufacturer.
3. 100% credit for the value of reasonable fees and commissions for the procurement of materials and supplies if not a regular dealer or manufacturer.

VIII. GOOD FAITH EFFORT PROCEDURES: If the bidder cannot obtain sufficient DBE commitments to meet the contract goal, the bidder must document in the Utilization Plan the good faith efforts made in the attempt to meet the goal. This means that the bidder must show that all necessary and reasonable steps were taken to achieve the contract goal. Necessary and reasonable steps are those which could reasonably be expected to obtain sufficient DBE participation. The Department will consider the quality, quantity and intensity of the kinds of efforts that the bidder has made. Mere *pro forma* efforts are not good faith efforts; rather, the bidder is expected to have taken those efforts that would be reasonably expected of a bidder actively and aggressively trying to obtain DBE participation sufficient to meet the contract goal.

- A. The following is a list of types of action that the Department will consider as part of the evaluation of the bidder's good faith efforts to obtain participation. These listed factors are not intended to be a mandatory checklist and are not intended to be exhaustive. Other factors or efforts brought to the attention of the Department may be relevant in appropriate cases, and will be considered by the Department.
1. Soliciting through all reasonable and available means (e.g. attendance at pre-bid meetings, advertising and/or written notices) the interest of all certified DBE companies that have the capability to perform the work of the contract. The bidder must solicit this interest within sufficient time to allow the DBE companies to respond to the solicitation. The bidder must determine with certainty if the DBE companies are interested by taking appropriate steps to follow up initial solicitations.
 2. Selecting portions of the work to be performed by DBE companies in order to increase the likelihood that the DBE goals will be achieved. This includes, where appropriate, breaking out contract work items into economically feasible units to facilitate DBE participation, even when the prime contractor might otherwise prefer to perform these work items with its own forces.
 3. Providing interested DBE companies with adequate information about the plans, specifications, and requirements of the contract in a timely manner to assist them in responding to a solicitation.
 4. (a) Negotiating in good faith with interested DBE companies. It is the bidder's responsibility to make a portion of the work available to DBE subcontractors and suppliers and to select those portions of the work or material needs consistent with the available DBE subcontractors and suppliers, so as to facilitate DBE participation. Evidence of such negotiation includes the names, addresses, and telephone numbers of DBE companies that were considered; a description of the information provided regarding the plans and specifications for the work selected for subcontracting; and evidence as to why additional agreements could not be reached for DBE companies to perform the work.

(b) A bidder using good business judgment would consider a number of factors in negotiating with subcontractors, including DBE subcontractors, and would take a firm's price and capabilities as well as contract goals into consideration. However, the fact that there may be some additional costs involved in finding and using DBE companies is not in itself sufficient reason for a bidder's failure to meet the contract DBE goal, as long as such costs are reasonable. Also, the ability or desire of a prime contractor to perform the work of a contract with its own organization does not relieve the bidder of the responsibility to make good faith efforts. Prime contractors are not, however, required to accept higher quotes from DBE companies if the price difference is excessive or unreasonable.
 5. Not rejecting DBE companies as being unqualified without sound reasons based on a thorough investigation of their capabilities. The contractor's standing within its industry, membership in specific groups, organizations, or associations and political or social affiliations (for example union vs. non-union employee status) are not legitimate causes for the rejection or non-solicitation of bids in the contractor's efforts to meet the project goal.
 6. Making efforts to assist interested DBE companies in obtaining bonding, lines of credit, or insurance as required by the recipient or contractor.
 7. Making efforts to assist interested DBE companies in obtaining necessary equipment, supplies, materials, or related assistance or services.
 8. Effectively using the services of available minority/women community organizations; minority/women contractors' groups; local, state, and Federal minority/women business assistance offices; and other organizations as allowed on a case-by-case basis to provide assistance in the recruitment and placement of DBE companies.
- B. If the Department determines that the Contractor has made a good faith effort to secure the work commitment of DBE companies to meet the contract goal, the Department will award the contract provided that it is otherwise eligible for award. If the Department determines that a good faith effort has

not been made, the Department will notify the bidder of that preliminary determination by contacting the responsible company official designated in the Utilization Plan. The preliminary determination shall include a statement of reasons why good faith efforts have not been found, and may include additional good faith efforts that the bidder could take. The notification will designate a five (5) working day period during which the bidder shall take additional efforts. The bidder is not limited by a statement of additional efforts, but may take other action beyond any stated additional efforts in order to obtain additional DBE commitments. The bidder shall submit an amended Utilization Plan if additional DBE commitments to meet the contract goal are secured. If additional DBE commitments sufficient to meet the contract goal are not secured, the bidder shall report the final good faith efforts made in the time allotted. All additional efforts taken by the bidder will be considered as part of the bidder's good faith efforts. If the bidder is not able to meet the goal after taking additional efforts, the Department will make a pre-final determination of the good faith efforts of the bidder and will notify the designated responsible company official of the reasons for an adverse determination.

- C. The bidder may request administrative reconsideration of a pre-final determination adverse to the bidder within the five (5) working days after the notification date of the determination by delivering the request to the Department of Transportation, Division of Aeronautics, 1 Langhorne Bond Drive, Capital Airport, Springfield, IL 62707-8415 (Telefax: 217-785-4533). Deposit of the request in the United States mail on or before the fifth business day shall not be deemed delivery. The pre-final determination shall become final if a request is not made and delivered. A request may provide additional written documentation and/or argument concerning the issue of whether an adequate good faith effort was made to meet the contract goal. In addition, the request shall be considered a consent by the bidder to extend the time for award. The request will be forwarded to the Department's Reconsideration Officer. The Reconsideration Officer will extend an opportunity to the bidder to meet in person in order to consider all issues of whether the bidder made a good faith effort to meet the goal. After the review by the Reconsideration Officer, the bidder will be sent a written decision within ten (10) working days after receipt of the request for reconsideration, explaining the basis for finding that the bidder did or did not meet the goal or make adequate good faith efforts to do so. A final decision by the Reconsideration Officer that a good faith effort was made shall approve the Utilization Plan submitted by the bidder and shall clear the contract for award. A final decision that a good faith effort was not made shall render the bid nonresponsive.

IX. **CONTRACT COMPLIANCE:** Compliance with this Special Provision is an essential part of the contract. The Department is prohibited by federal regulations from crediting the participation of a DBE included in the Utilization Plan toward either the contract goal or the Department's overall goal until the amount to be applied toward the goals has been paid to the DBE. The following administrative procedures and remedies govern the compliance by the Contractor with the contractual obligations established by the Utilization Plan. After approval of the Plan and award of the contract, the Utilization Plan and individual DBE Participation Statements become part of the contract. If the contractor did not succeed in obtaining enough DBE participation to achieve the advertised contract goal, and the Utilization Plan was approved and contract awarded based upon a determination of good faith, the total dollar value of DBE work calculated in the approved Utilization Plan as a percentage of the awarded contract value shall become the amended contract goal.

- A. No amendment to the Utilization Plan may be made without prior written approval from the Division of Aeronautics. All requests for amendment to the Utilization Plan shall be submitted to the Department of Transportation, Division of Aeronautics, 1 Langhorne Bond Drive, Capital Airport, Springfield, IL 62707-8415. Telephone number (217) 785-8514. Telefax number (217) 785-4533.
- B. All work indicated for performance by an approved DBE shall be performed, managed and supervised by the DBE executing the Participation Statement. The Contractor shall not terminate for convenience a DBE listed in the Utilization Plan and then perform the work of the terminated DBE with its own forces, those of an affiliate or those of another subcontractor, whether DBE or not, without first obtaining the written consent of the Bureau of Small Business Enterprises to amend the Utilization Plan. If a DBE listed in the Utilization Plan is terminated for reasons other than convenience, or fails to complete its work on the contract for any reason, the Contractor shall make good faith efforts to find another DBE to

substitute for the terminated DBE. The good faith efforts shall be directed at finding another DBE to perform at least the same amount of work under the contract as the DBE that was terminated, but only to the extent needed to meet the contract goal or the amended contract goal. The Contractor shall notify the Division of Aeronautics of any termination for reasons other than convenience, and shall obtain approval for inclusion of the substitute DBE in the Utilization Plan. If good faith efforts following a termination of a DBE for cause are not successful, the Contractor shall contact the Division and provide a full accounting of the efforts undertaken to obtain substitute DBE participation. The Division will evaluate the good faith efforts in light of all circumstances surrounding the performance status of the contract, and determine whether the contract goal should be amended.

- C. The Contractor shall maintain a record of payments for work performed to the DBE participants. The records shall be made available to the Department for inspection upon request. After the performance of the final item of work or delivery of material by a DBE and final payment therefor to the DBE by the Contractor, but not later than thirty (30) calendar days after payment has been made by the Department to the Contractor for such work or material without regard to any retainage withheld by the Department, the Contractor shall submit a DBE Payment Report on Department form SBE 2115 to the Division's Chief Engineer. If full and final payment has not been made to the DBE, the Report shall indicate whether a disagreement as to the payment required exists between the Contractor and the DBE or if the Contractor believes that the work has not been satisfactorily completed. If the Contractor does not have the full amount of work indicated in the Utilization Plan performed by the DBE companies indicated in the Plan, the Department will deduct from contract payments to the Contractor the amount of the goal not achieved as liquidated and ascertained damages.
- D. The Department reserves the right to withhold payment to the Contractor to enforce the provisions of this Special Provision. Final payment shall not be made on the contract until such time as the Contractor submits sufficient documentation demonstrating achievement of the goal in accordance with this Special Provision or after liquidated damages have been determined and collected.

Certification of Nonsegregated Facilities - as Required by 41 CFR 60-1.8

(Applicable to (1) contracts, (2) subcontracts, and (3) agreements with applicants who are themselves performing federally assisted construction contracts, exceeding \$10,000.00 which are not exempt from the provisions of the Equal Opportunity clause).

By the submission of this bid, the bidder, offeror, applicant, or subcontractor certifies that he does not maintain or provide for his employees any segregated facilities at any of his establishments and that that he does not permit his employees to perform their services at any location, under his control, where segregated facilities are maintained. He certifies further that he will not maintain or provide for his employees any segregated facilities at any of his establishments and that he will not permit his employees to perform their services at any location, under his control, where segregated facilities are maintained. The bidder, offeror, applicant, or subcontractor agrees that a breach of his certification is a violation of the Equal opportunity clause in this contract. As used in this certification, the term "segregated facilities" means any waiting rooms, work areas, rest rooms and wash rooms, restaurants and other eating areas, time clocks, locker rooms and other storage or dressing areas, parking lots, drinking fountains, recreation or entertainment areas, transportation, and housing facilities provided for employees which are segregated by explicit directive or are in fact segregated on the basis of race, color, religion, or national origin, because of habit, local custom, or otherwise. He further agrees that (except where he has obtained identical certifications from proposed subcontractors for specific time periods) he will obtain identical certifications from proposed subcontractors prior to the award of subcontracts exceeding \$10,000.00 which are not exempt from the provisions of the Equal Opportunity clause; that he will retain such certifications in his files and that he will forward the following notice to such proposed subcontractors (except where the proposed subcontractors have submitted identical certifications for specific time periods):

**NOTICE TO PROSPECTIVE SUBCONTRACTORS OF REQUIREMENT FOR
CERTIFICATIONS OF NONSEGREGATED FACILITIES**

A certification of Nonsegregated Facilities must be submitted prior to the award of a subcontract exceeding \$10,000.00 which is not exempt from the provisions of the Equal Opportunity clause. The certification may be submitted either for each subcontract or for all subcontracts during a period (i.e., quarterly, semiannually or annually).

NOTE: The penalty for making false statements in offers is prescribed in 18 U.S.C 1001.

CERTIFICATION REGARDING DEBARMENT, SUSPENSION, AND OTHER RESPONSIBILITY MATTERS
Instructions for Certification

1. By signing and submitting this proposal, the prospective primary participant is providing the certification set out below.
2. The inability of a person to provide the certification required below will not necessarily result in denial of participation in this covered transaction. The prospective participant shall submit an explanation of why it cannot provide the certification set out below. The certification or explanation will be considered in connection with the department or agency's determination whether to enter into this transaction. However, failure of the prospective primary participant to furnish a certification or an explanation shall disqualify such person from participation in this transaction.
3. The certification in this clause is a material representation of fact upon which reliance was placed when the department or agency determined to enter into this transaction. If it is later determined that the prospective primary participant knowingly rendered an erroneous certification in addition to other remedies available to the Federal Government, the department or agency may terminate this transaction for cause of default.
4. The prospective primary participant shall provide immediate written notice to the department or agency to whom this proposal is submitted if at any time the prospective primary participant learns that its certification was erroneous when submitted or has become erroneous by reason of changed circumstances.
5. The terms "covered transaction" "debarred" "suspended" "ineligible" "lower tier covered transaction" "participant" "person" "primary covered transaction" "principal" "proposal" and "voluntarily excluded" as used in this clause have the meaning set out in the Definitions and Coverage sections of the rules implementing Executive Order 12540. You may contact the department or agency to which this proposal is being submitted for assistance in obtaining a copy of those regulations.
6. The prospective primary participant agrees by submitting this proposal that should the proposed covered transaction be entered into, it shall not knowingly enter into any lower tier covered transaction with a person who is debarred, suspended, declared ineligible, or voluntarily excluded from participation in this covered transaction unless authorized by the department or agency entering into this transaction.
7. The prospective primary participant further agrees by submitting this proposal that it will include the clause titled "Certification Regarding Debarment, Suspension, Ineligibility and Voluntary Exclusion - Lower Tier Transaction", provided by the department or agency entering into this covered transaction without modification in all lower covered transactions and in all solicitations for lower covered transactions.
8. A participant in a covered transaction may rely upon a certification of a prospective participant in a lower tier covered transaction that it is not debarred, suspended, ineligible, or voluntarily excluded from the covered transaction unless it knows that the certification is erroneous. A participant may decide the method and frequency by which it determines the eligibility of its principals. Each participant may, but is not required to check the Nonprocurement List (Tel. #).
9. Nothing contained in the foregoing shall be construed to require establishment of a system of records in order to render in good faith the certification required by this clause. The knowledge and information of a participant is not required to exceed that which is normally possessed by a prudent person in the ordinary course of business dealings.
10. Except for transactions authorized under paragraph 8 of these instructions, if a participant in a covered transaction knowingly enters into a lower tier covered transaction with a person who is suspended, debarred, ineligible, or voluntarily excluded from participation in this transaction, in addition to other remedies available to the Federal Government, the department or agency may terminate this transaction for cause or default.

Certification Regarding Debarment, Suspension, and
Other Responsibility Matters - Primary Covered Transactions

1. The prospective primary participant certifies to the best of its knowledge and belief that it and its principals:
 - a. Are not presently debarred, suspended, proposed for debarment, declared ineligible, or voluntarily excluded from covered transactions by an Federal department or agency;
 - b. Have not within a three-year period preceding this proposal been convicted of or had a civil judgment rendered against them for commission of fraud or a criminal offense in connection with obtaining, attempting to obtain or performing a public (Federal, State or Local) transaction or contract under a public transaction: violation of Federal or State antitrust statutes or commission of embezzlement, theft, forgery, bribery, falsification or destruction of records, making false statements, or receiving stolen property;
 - c. Are not presently indicted for or otherwise criminally or civilly charged by a governmental entity (Federal, State or local) with commission of any of the offenses enumerated in paragraph (1)(b) of this certification; and
 - d. Have not within a three-period preceding this application/proposal had one or more public transactions (Federal, State or local) terminated for cause or default.
2. Where the prospective primary participant is unable to certify to any of the statements in this certification, such prospective participant shall attach an explanation to this proposal.

CERTIFICATION REGARDING LOBBYING (Applicable to contracts in excess of \$100,000):

Certification for Contracts, Grants, Loans and Cooperative Agreements.

The undersigned bidder certifies, to the best of his or her knowledge and belief, that:

- (1) No Federal appropriated funds have paid or will be paid, by or behalf of the undersigned, to any person for influencing or attempting to influence an officer or employee of any agency, a Member of Congress, an Officer or employee of Congress, or an employee of a Member of Congress in connection with the awarding of any Federal contract, the making of any Federal grant, the making of any Federal loan, the entering into of any cooperative agreement, and the extension, continuation, renewal, amendment, or modification of any Federal contract, grant, loan, or cooperative agreement.
- (2) If any funds other than Federal appropriated funds have been paid or will be paid to any person for influencing or attempting to influence an officer or employee of any agency, a Member of Congress, an officer or employee of Congress, or an employee of a Member of Congress in connection with this Federal contract, grant, loan, or cooperative agreement, the undersigned shall complete and submit Standard Form-LLL, "Disclosure Form to Report Lobbying", in accordance with its instructions.
- (3) The undersigned shall require that the language of this certification be included in the award documents for all subawards at all tiers (including subcontracts, subgrants, and contracts under grants, loans, and cooperative agreements) and that all subrecipients shall certify and disclose accordingly.

This certification is a material representation of fact upon which reliance was placed when this transaction was made or entered into. Submission of this certification is a prerequisite for making or entering into this transaction imposed by Section 1352, title 31, U.S. Code. Any person who fails to file the required certification shall be subject to a civil penalty of not less than \$10,000 and not more than \$100,000 for each such failure.

WORKERS' COMPENSATION INSURANCE

Prior to the execution of his construction contract by the Illinois Department of Transportation, Division of Aeronautics, hereinafter referred to as "Division", the Contractor shall furnish to the Division certificates of insurance covering Workers' Compensation, or satisfactory evidence that this liability is otherwise taken care of in accordance with Section 4.(a) of the "Workers' Compensation Act of the State of Illinois" as amended.

Such insurance, or other means of protection as herein provided, shall be kept in force until all work to be performed under the terms of the contract has been completed and accepted in accordance with the specifications, and it is hereby understood and agreed that the maintenance of such insurance or other protection, until acceptance of the work by the Division is a part of the contract. Failure to maintain such insurance, cancellation by the Industrial Commission of its approval of such other means of protection as might have been elected, or any other act which results in lack of protection under the said "Workers' Compensation Act" may be considered as a breach of the contract.

SPECIAL PROVISION FOR DOMESTIC SOURCE FOR STEEL

Control of Materials: All steel products, as defined by the Illinois Steel Products Procurement Act, incorporated into this project shall be manufactured or produced in the United States and, in addition, shall be domestically fabricated. The Contractor shall obtain from the steel producer and/or fabricator, in addition to the mill analysis, a certification that all steel products meet these domestic source requirements.

SPECIAL PROVISION
FOR
MONTHLY EMPLOYMENT REPORT

Effective: April 1, 2009

In addition to any other reporting required by the contract, the Contractor shall provide to the Division of Aeronautics, Contracts Section an employment summary for all employees working on the contract from the contract execution date to the last full pay period each month for the duration of the contract. The report may include but is not limited to:

- a) A listing of the total number of employees.
- b) The employee job classification.
- c) The total hours worked and payroll for each employee.

The report shall be completed by the Contractor and each subcontractor. Employee hours worked from home office or other off-site office hours worked related directly to this contract shall be included. Engineering consulting firms performing construction layout and material testing for the Contractor shall also be included.

Hours worked for material suppliers, services provided by purchase orders, Department employees or consulting firms performing inspection or testing for the Department shall not be included in the report.

The report shall contain all hours worked under the contract from the start of the month to the last full pay period each month and shall be submitted no later than 10 business days after the end of each month.

The report shall be submitted electronically to Christina Pearce at Christina.Pearce@illinois.gov in a format determined by the Division of Aeronautics, Contracts Section. See attachment for potential reporting format.

Any costs associated with complying with this provision shall be considered as included in the contract unit prices bid for the various items of work involved and no additional compensation will be allowed.

Attachment

MONTHLY PRIME AND SUBCONTRACTOR EMPLOYMENT REPORT AMERICAN RECOVERY AND REINVESTMENT ACT				
1. First day of reporting period (mm/dd/yyyy):	2. Last day of reporting period (mm/dd/yyyy):	3. Notice to Proceed Date (mm/dd/yyyy)		
4. NAME AND ADDRESS OF FIRM		5. FEDERAL-AID PROJECT NUMBER		
		6. State Project Number or ID		
7. CONTRACTING AGENCY		8. STATE (or Federal Lands Region)		
Employment Data				
Direct, On-Project Jobs		TOTAL EMPLOYEES	TOTAL HOURS	TOTAL PAYROLL
CONSTRUCTION	NEW HIRES			
	EXISTING EMPLOYEES			
NON - CONSTRUCTION	NEW HIRES			
	EXISTING EMPLOYEES			
TOTAL				
10. PREPARED BY: (Signature and Title)			DATE	
11. REVIEWED BY: (Signature and Title of State Aviation Official)			DATE	

This form is issued in accordance with the American Recovery and Reinvestment Act of 2009

CLAUSE TO BE INCLUDED IN ALL SOLICITATIONS,
CONTRACTS, AND SUBCONTRACTS RESULTING FROM PROJECTS FUNDED UNDER THE AIP

The Contractor or subcontractor, by submission of an offer and/or execution of a contract, certifies that it:

- a. is not owned or controlled by one or more citizens or nationals of a foreign country included in the list of countries that discriminate against U.S. firms published by the Office of the United States Trade Representative (USTR);
- b. has not knowingly entered into any contract or subcontract for this project with a Contractor that is a citizen or national of a foreign country on said list, or is owned or controlled directly or indirectly by one or more citizens or nationals of a foreign country on said list.
- c. has not procured any product nor subcontracted for the supply of any product for use on the project that is produced in a foreign country on said list.

Unless the restrictions of this clause are waived by the Secretary of Transportation in accordance with 49 CFR 30.17, no contract shall be awarded to a Contractor or subcontractor who is unable to certify to the above. If the Contractor knowingly procures or subcontracts for the supply of any product or service of a foreign country on the said list for use on the project, the Federal Aviation Administration may direct, through the sponsor, cancellation of the contract at no cost to the Government.

Further, the Contractor agrees that, if awarded a contract resulting from this solicitation, it will incorporate this provision for certification without modification in each contract and in all lower tier subcontracts. The Contractor may rely upon the certification of a prospective subcontractor unless it has knowledge that the certification is erroneous.

The Contractor shall provide immediate written notice to the sponsor if the Contractor learns that its certification or that of a subcontractor was erroneous when submitted or has become erroneous by reason of changed circumstances. The subcontractor agrees to provide immediate written notice to the Contractor, if at any time it learns that its certification was erroneous by reason of changed circumstances.

This certification is a material representation of fact upon which reliance was placed when making the award. If it is later determined that the Contractor or subcontractor knowingly rendered an erroneous certification, the Federal Aviation Administration may direct, through this sponsor, cancellation of the contract or subcontract for default at no cost to the Government.

Nothing contained in the foregoing shall be construed to require establishment of a system of records in order to render, in good faith, the certification required by this provision. The knowledge and information of a Contractor is not required to exceed that which is normally possessed by a prudent person in the ordinary course of business dealings.

This certification concerns a matter within the jurisdiction of an agency of the United States of America and the making of false, fictitious, or fraudulent certification may render the maker subject to prosecution under Title 18, United States Code, Section 1001.

**MINIMUM WAGES FOR FEDERAL AND FEDERALLY
ASSISTED CONSTRUCTION CONTRACTS**

This project is funded, in part, with Federal-aid funds and, as such, is subject to the provisions of the Davis-Bacon Act of March 3, 1931, as amended (46 Sta. 1494, as amended, 40 U.S.C. 276a) and of other Federal statutes referred to in a 29 CFR Part 1, Appendix A, as well as such additional statutes as may from time to time be enacted containing provisions for the payment of wages determined to be prevailing by the Secretary of Labor in accordance with the Davis-Bacon Act and pursuant to the provisions of 29 CFR Part 1. The prevailing rates and fringe benefits shown in the General Wage Determination Decisions issued by the U.S. Department of Labor shall, in accordance with the provisions of the foregoing statutes, constitute the minimum wages payable on Federal and federally assisted construction projects to laborers and mechanics of the specified classes engaged on contract work of the character and in the localities described therein.

General Wage Determination Decisions, modifications and supersedes decisions thereto are to be used in accordance with the provisions of 29 CFR Parts 1 and 5. Accordingly, the applicable decision, together with any modifications issued, must be made a part of every contract for performance of the described work within the geographic area indicated as required by an applicable DBRA Federal prevailing wage law and 29 CFR Part 5. The wage rates and fringe benefits contained in the General Wage Determination Decision shall be the minimum paid by contractors and subcontractors to laborers and mechanics.

NOTICE

The most current **General Wage Determination Decisions** (wage rates) are available on the IDOT web site. They are located on the Letting and Bidding page at <http://www.dot.state.il.us/desenv/delett.html>.

In addition, ten (10) days prior to the letting, the applicable Federal wage rates will be e-mailed to subscribers. It is recommended that all contractors subscribe to the Federal Wage Rates List or the Contractor's Packet through IDOT's subscription service.

PLEASE NOTE: if you have already subscribed to the Contractor's Packet you will automatically receive the Federal Wage Rates.

The instructions for subscribing are at <http://www.dot.state.il.us/desenv/subsc.html>.

If you have any questions concerning the wage rates, please contact IDOT's Chief Contract Official at 217-782-7806.

SECTION III

SPECIAL PROVISIONS

FOR

REHABILITATE TAXIWAY B (SOUTH) – PHASE 1

**ILLINOIS PROJECT: RFD-3862
A.I.P. PROJECT: 3-17-0088-XX**

AT

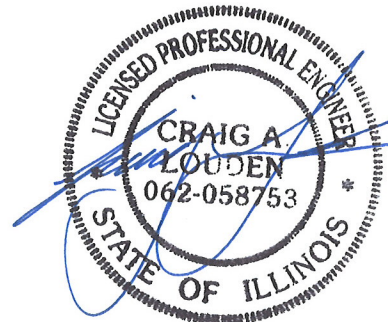
CHICAGO ROCKFORD INTERNATIONAL AIRPORT
ROCKFORD, ILLINOIS

FINAL SUBMITTAL

February 27, 2009

Prepared by:

CRAWFORD, MURPHY & TILLY, INC.
CONSULTING ENGINEERS
2 Airport Circle Drive; Suite 201
Rockford, Illinois 61109
<http://www.cmtengr.com>



3/31/09

Exp: 11/30/09

RECURRING SPECIAL PROVISIONS

The following RECURRING SPECIAL PROVISIONS indicated by an "X" are Applicable to this contract and are included by reference:

Check
Sheet

<u>No.</u>	<u>Item No.</u>		<u>Page No.</u>
1	AR101580	Refurbish 36" Beacon	155
2	AR106000	Apron Lighting	160
3	AR119000	Airport Obstruction Lighting (Not Included)	166
4	AR127000	Airport Navaid Installation (Not Included)	167
5	X AR150510	Engineer's Field Office	168
6	AR150560	Temporary Threshold	170
7	X AR152540	Soil Stabilization Fabric	173
8	X AR156000	Erosion Control	175
9	AR156513	Separation Fabric	180
10	X AR156540	Riprap	182
11	AR201001	Bituminous Base Course -Method I	185
12	AR201002	Bituminous Base Course -Method II	193
13	AR201003	Bituminous Base Course – Method I, Superpave	209
14	AR201004	Bituminous Base Course – Method II, Superpave	217
15	AR201661	Clean & Seal Bituminous Cracks	230
16	AR201663	Sand Mix Crack Repair	233
17	AR201671	Crack Control Fabric	235
18	AR302000	Asphalt Treated Permeable Subbase	237
19	AR401001	Bituminous Surface Course -Method I	245
20	X AR401002	Bituminous Surface Course -Method II	253
21	AR401003	Bituminous Surface Course – Method I, Superpave	269
22	AR401004	Bituminous Surface Course – Method II, Superpave	277
23	AR401640	Bituminous Pavement Grooving	290
24	X AR401650	Bituminous Pavement Milling	293
25	X AR401655	Butt Joint Construction	295
26	AR401900	Remove Bituminous Pavement	297
27	AR501001	Portland Cement Concrete -Pavement Method I	299
28	X AR501002	Portland Cement Concrete -Pavement Method II	316
29	AR501003	Portland Cement Concrete -Pavement Method III	338
30	AR501115	Crack and Seat Pavement	362
31	AR501540	PCC Pavement Grooving	365
32	AR501550	PCC Pavement Milling	368
33	AR501900	Remove PCC Pavement	370
34	AR510500	Tie-down/Ground Rod	372
35	AR605000	Silicone Joint Sealing Filler	373

GENERAL

These Special Provisions, together with applicable Standard Specifications, Rules and Regulations, Contract Requirements for Airport Improvement Projects, Payroll Requirements and Minimum Wage Rates which are hereto attached or which by reference are herein incorporated, cover the requirements of the State of Illinois, Department of Transportation, Division of Aeronautics for the construction of the subject project at the Chicago Rockford International Airport, Rockford, Illinois.

GOVERNING SPECIFICATIONS AND RULES AND REGULATIONS

The "Standard Specifications for Construction of Airports", dated January 1985, State of Illinois Department of Transportation, Division of Aeronautics, the "Supplemental Specifications and Recurring Special Provisions", dated July 1, 2004, State of Illinois Department of Transportation, Division of Aeronautics, and the Interim Revisions to the Supplemental and Recurring Special Provisions, dated May 11, 2007, State of Illinois Department of Transportation, Division of Aeronautics, indicated on the Check Sheet included herein shall govern the project except as otherwise noted in these Special Provisions. In cases of conflict with any part or parts of said specifications, the said Special Provisions shall take precedence and shall govern. As noted within the Special Provisions the Illinois Department of Transportation Standard Specifications for Road and Bridge Construction dated January 1, 2007 shall apply.

INDEX TO SPECIAL PROVISIONS

<u>ITEM</u>	<u>DESCRIPTION</u>	<u>STARTING PAGE NUMBER</u>
<u>DIVISION I</u>	<u>GENERAL PROVISIONS</u>	<u>1</u>
<u>DIVISION II</u>	<u>PAVING CONSTRUCTION DETAILS</u>	<u>5</u>
150	Engineer's Field Office / Field Laboratory	5
152	Excavation and Embankment	5
152	Soil Stabilization Fabric	7
156	Erosion Control	8
208	Porous Granular Embankment	8
209	Crushed Aggregate Base Course	12
401	Bituminous Surface Course	13
401	Bituminous Pavement Milling	14
401	Butt Joint Construction	15
401	Remove Bituminous Pavement	15
501	Portland Cement Concrete Pavement	16
602	Bituminous Prime Coat	21
603	Bituminous Tack Coat	21

610	Structural Portland Cement Concrete	22
620	Pavement Marking	22
<u>DIVISION IV DRAINAGE PIPE</u>		<u>24</u>
701	Pipe for Storm Sewers and Culverts	24
752	Concrete Culverts, Headwalls and Misc. Drainage Structures	24
<u>DIVISION V TURFING</u>		<u>25</u>
901	Seeding	25
905	Topsoiling	26
<u>DIVISION VI LIGHTING INSTALLATION</u>		<u>27</u>
108	Installation of Underground Cable for Airports	27
110	Installation of Airport Underground Electrical Duct	30
125	Installation of Airport Lighting System	32
<u>DIVISION VIII MISCELLANEOUS</u>		<u>36</u>
150	Mobilization	36
150	Haul Route	38
156	Riprap	38
800	RGL System	40
800	Aggregate Drainage Ditch	47
800	Adjust Monitoring Well	48
800	Soil Guard	49
910	Guard Rail	50

IDA POLICY MEMORANDUMS

- 07-21 ACCEPTANCE PROCEDURE FOR FINELY DIVIDED MINERALS USED IN PORTLAND CEMENT CONCRETE AND OTHER APPLICATIONS
- 87-2 DENSITY ACCEPTANCE OF BITUMINOUS PAVEMENTS
- 87-3 MIX DESIGN, TEST BATCH, QUALITY CONTROL, AND ACCEPTANCE TESTING OF PCC PAVEMENT MIXTURE
- 87-4 DETERMINATION OF BULK SPECIFIC GRAVITY (d) OF COMPACTED BITUMINOUS MIXES
- 90-1 RESAMPLING AND RETESTING OF PCC PAVEMENT
- 95-1 FIELD TEST PROCEDURES FOR MIXER PERFORMANCE AND CONCRETE UNIFORMITY TEST
- 96-1 ITEM 610, STRUCTURAL PORTLAND CEMENT CONCRETE: JOB MIX FORMULA APPROVAL & PRODUCTION TESTING
- 96-2 REQUIREMENTS FOR LABORATORY, TESTING, QUALITY CONTROL, AND PAVING OF BITUMINOUS CONCRETE MIXTURES
- 96-3 REQUIREMENTS FOR QUALITY ASSURANCE ON PROJECTS WITH BITUMINOUS CONCRETE PAVING
- 97-2 PAVEMENT MARKING PAINT ACCEPTANCE
- 2001-1 REQUIREMENTS FOR COLD WEATHER CONCRETING

IDOT STANDARD DRAWINGS

- 280001-02 TEMPORARY EROSION CONTROL SYSTEM
- 542401 METAL END SECTION FOR PIPE CULVERTS
- 630001-05 STEEL PLATE BEAM GUARDRAIL
- 631011-02 TRAFFIC BARRIER TERMINAL TYPE 2

DIVISION I - GENERAL PROVISIONS

10-05 ADVERTISEMENT

ADD: Advertisement for bids will be issued by, and in conformance with, the policies of the Illinois Division of Aeronautics.

10-23 ENGINEER

DELETE: Paragraph (b).

20-05 MAINTENANCE OF TRAFFIC

ADD:

The Contractor shall be responsible for cleaning and maintaining all haul roads and use a pick-up type sweeper on all pavements and adjacent roadways utilized in hauling operations when material is tracked onto said pavement. The Contractor shall have a sweeper on site and maintain all pavements clear of dirt and debris at all times or as requested by the Resident Engineer.

If the Contractor fails to comply with the Standard Specifications, contract plans, or these Special Provisions concerning traffic control, the Resident Engineer shall execute such work as may be deemed necessary to correct deficiencies, and the cost thereof shall be deducted from compensation due or which may become due the Contractor under the contract. The Contractor shall be responsible for supplying, maintaining and moving all barricades required for construction. The cost thereof shall not be paid for separately, but shall be considered incidental to the contract unit prices.

20-09 AIRPORT OPERATIONS DURING CONSTRUCTION

a. Construction Activity and Aircraft Movements

For construction activity to be performed in other areas than active operational areas, the storage and parking of equipment and materials, when not in use or about to be installed, shall not encroach upon active operational areas. In protecting operational areas, the minimum clearances maintained for runways shall be in conformance with Part 77 of the Federal Aviation Regulations.

All construction operations shall conform to the plans and in accordance with AC 150/5370-2 (Latest Edition) Operational Safety on Airports During Construction.

b. Limitations On Construction

- (1) Open flame welding or torch cutting operations shall be prohibited, unless adequate fire and safety precautions are provided.
- (2) Open trenches, excavations and stockpiled material near any pavements shall be prominently marked with red flags and lighted by light units during hours of restricted visibility and/or darkness.
- (3) Stockpiled material shall be constrained in a manner to prevent movement resulting from aircraft blast or wind conditions.
- (4) The use of explosives shall be prohibited.
- (5) Burning shall not be allowed.

c. Debris

Waste and loose material capable of causing damage to aircraft landing gears, propellers, or being ingested in jet engines shall not be placed on active aircraft movement areas. Material tracked on these areas shall be removed continuously during the work project. The Contractor shall provide garbage cans in employee parking areas and storage areas for debris.

30-05 COOPERATION BETWEEN CONTRACTORS

ADD:

A weekly meeting shall be scheduled during construction to discuss work areas, scheduling, etc. The superintendent for the project, the subcontractor's foremen, and the resident engineer are required to attend this meeting. The Airport and the Division may attend the meeting as necessary.

The completion of this project prior to the contract completion date is of extreme importance to the Airport. The Contractor shall update his progress schedule weekly for the scheduled progress meetings. Failure to provide updated progress schedules will result in proactive liquidated damages withheld from future pay estimates.

A materials/pre-paving meeting shall be scheduled prior to the start of paving to discuss acquisition, mixing, placing, testing, etc. The superintendent, paving foreman, batching foremen/material supplier, quality control officer, and the resident engineer are required to attend this meeting.

30-18 PLANS AND WORK DRAWINGS

DELETE: References to "approval" in first paragraph and replace with "review".

The following information shall be clearly marked on each shop, working, and layout drawing, catalog cut, pamphlet specifications sheet, etc., submitted.

PROJECT LOCATION: Chicago Rockford International Airport
PROJECT TITLE: Rehabilitate Taxiway B (South) - Phase 1
PROJECT NUMBERS: Illinois Project: RFD-3862
CONTRACT ITEM: (i.e. AR125110)
SUBMITTED BY: (Contractor/Subcontractor Name)
DATE: (Date Submitted)

40-10 REQUIRED CONTRACTOR TESTING

ADD:

The Contractor shall be required to provide all material testing and associated certification of materials as outlined in Section 611 of these Special Provisions and in accordance with the Section 400.02 of the latest edition of the Illinois Department of Transportation, Division of Aeronautics "Manual for Documentation of Airport Materials", or as specified herein. Note any reference to testing and/or documentation being the responsibility of the Resident Engineer, Professional Engineer or Consultant shall be changed to the Contractor.

40-11 CERTIFICATION OF MATERIALS

ADD:

The contractor shall certify all materials incorporated into the contract. It shall be the sole responsibility of the Contractor to ensure the submittal of adequate and accurate documentation prior to the delivery of the materials.

As a guide to the certification process and requirements, the Contractor shall use the Illinois Division of Transportation/Division of Aeronautics MANUAL FOR DOCUMENTATION OF AIRPORT MATERIALS (latest edition). Copies of this manual are available from the Illinois Division of Aeronautics. Although the MANUAL OF DOCUMENTATION OF AIRPORT MATERIALS defines the Resident Engineer's/Contractor's responsibilities (Sections 300/400), the Contractor shall have the sole responsibility to provide the Resident Engineer with appropriate documentation to satisfy the contract material certification requirements prior to the delivery of materials.

PROJECT LOCATION: Chicago Rockford International Airport

PROJECT TITLE: Rehabilitate Taxiway B (South) - Phase 1

PROJECT NUMBERS: Illinois Project: RFD-3862

CONTRACT ITEM: (i.e. AR125110)

SUBMITTED BY: (Contractor/Subcontractor Name)

DATE: (Date Submitted)

50-17 CONTRACTOR'S RESPONSIBILITY FOR UTILITY SERVICE AND FACILITIES OF OTHERS

ADD:

Special care shall be taken on all operations to avoid damage to all underground facilities on the construction site. The approximate location of existing facilities shown on drawings will be made available to the Contractor upon request of the Resident Engineer to the extent that they are available. Any facilities which are damaged during construction and which require replacement shall be done by the Contractor at no additional cost to the Owner. Should the Contractor fail to respond to notification received from the Resident Engineer or his authorized representative to repair or replace damaged facilities within two hours, the Resident Engineer shall execute such work as may be deemed necessary to repair the damage, and the cost thereof shall be deducted from the compensation due or which may become due the Contractor under the contract.

It shall be the Contractor's responsibility to locate and protect all FAA owned facilities within the construction limits. **The contractor shall coordinate with the FAA personnel listed in the table below prior to locating any FAA owned facilities.**

It shall be the Contractor's responsibility to locate and protect all Airport owned facilities within the construction limits. This includes all airfield lighting cables, communication cables, storm sewer, drain tile, sanitary sewer, and water main. **The contractor shall coordinate with Airport personnel prior to locating any Airport owned facilities.**

The Contractor shall contact the following for information on utility location:

<u>Utility Service or Facility</u>	<u>Person to Contact / Emergency (Name, Title, Address & Phone)</u>	<u>Owner's Emergency Contact (Phone)</u>
AT&T	J.U.L.I.E. (Joint Utility Locating Information for Excavators)	1-800-892-0123
Commonwealth Edison Electric Cables	J.U.L.I.E. (Joint Utility Locating Information for Excavators)	1-800-892-0123
NICOR	J.U.L.I.E. (Joint Utility Locating Information for Excavators)	1-800-892-0123
FAA - Airways Facilities	Airway Facilities Manager 5701 Falcon Road Rockford, Illinois 61109	1-815-484-5300
City of Rockford	Water Division	1-815-987-5700
Rock River Water Reclamation District	Sewer Division	1-815-397-9605

60-02 PROGRESS SCHEDULE

ADD:

The completion of this project prior to the contract completion date is of extreme importance to the Airport. The Contractor shall update his progress schedule weekly for the scheduled progress meetings. Failure to provide updated progress schedules will result in proactive liquidated damages withheld from future pay estimates.

60-03 NOTICE TO PROCEED

ADD:

The Notice to Proceed will not be given until all materials are certified by the Contractor to be available and on hand.

60-05 LIMITATION OF OPERATIONS

The Contractor shall not have access to any part of the active airfield (runways or taxiways) for any equipment or personnel without approval of the Deputy Director of Operations and Maintenance. All operations shall conform to the approved phasing plan and general notes.

60-07 TEMPORARY SUSPENSION OF THE WORK

Replace references to "Resident Engineer" with "Engineer" throughout this section.

60-14 CONTRACTOR'S ACCESS TO AIRFIELD

The Contractor shall not have access to any part of the active airfield pavements (runways, aprons, or taxiways) for any equipment or personnel without the approval of the Airport. All access to active runway and taxiway pavements shall be coordinated with the Air Traffic Control Tower (ATCT). ***Access to the referenced pavements without ATCT approval may result in a determination of an airfield incursion with associated fines.***

Unattended construction access and unauthorized access to the airfield shall be fined in accordance with the fines noted in the plans in the construction phasing notes. Gate guards shall have mobile telephone communications at all times, and shall be required to provide a daily visitor log to the airport at the weekly coordination meetings.

Gates used for Contractor access shall be padlocked using airport supplied locks. All padlocks and keys shall be issued by the airport after a \$50.00 deposit is made. Two (2) keys will be issued initially, with additional keys provided at \$3.00 / Each. Lost keys will result in fine of \$85.00, with additional costs to provide a new lock and keys.

70-05 PAYMENT FOR EXTRA AND FORCE ACCOUNT WORK

DELETE: Entire Section.

ADD:

Article 109.04 Payment for Extra Work from the Illinois Department of Transportation, Standard Specifications for Road and Bridge Construction, Adopted January 1, 2007.

DIVISION II PAVING CONSTRUCTION DETAILS

ITEM AR15000 – FIELD OFFICE AND FIELD LABORATORY CHECK SHEET #5

150 -3.1

Payment will be made under:

ITEM AR150510 ENGINEERS'S FIELD OFFICE – PER LUMP SUM
ITEM AR150515 FIELD LABORATORY - PER LUMP SUM

ITEM AR15200 - EXCAVATION AND EMBANKMENT

152-1.1

ADD:

All suitable material taken from excavation shall be used in formation of embankment, subgrade, and for backfilling as indicated on the plans or as directed by the Engineer. When the volume of the excavated material exceeds that required to construct the embankment to the grades indicated, the excess shall be disposed of off the Airport property.

When the volume of the topsoil stripping exceeds that required to construct the shoulders to the grades indicated, the excess shall be disposed of off the Airport property. When the volume of excavation is not sufficient for construction the fill to the grades indicated, the deficiency shall be supplied from offsite borrow sources or other authorized areas as directed by the Engineer.

152-1.2 CLASSIFICATION

DELETE: Entire section

ADD:

All topsoil material excavated shall be classified as "UNCLASSIFIED EXCAVATION."

All selected material identified by the Resident Engineer to be balanced at the proposed embankment areas shall be classified as "Unclassified Excavation".

"UNCLASSIFIED EXCAVATION" shall include all excavation performed under this item regardless of the material encountered.

CONSTRUCTION METHODS

152-2.2 EXCAVATION

ADD:

Excavation and embankment beneath the proposed taxiway and taxiway shoulder pavements shall be compacted to a density of not less than the percentage of the maximum density, at optimum moisture, shown in Table 1 as determined by the compaction control tests cited in Division VII for ASTM D1557(Modified Proctor) for aircraft weights over 60,000 pounds.

Excavation and embankment beneath the proposed RIAT Rd. pavements shall be compacted to a density of not less than the percentage of the maximum density, at optimum moisture, shown in Table 1 as determined by the compaction control tests cited in Division VII for ASTM D698 (Standard Proctor) for aircraft weights less than 60,000 pounds.

152-2.10 HAUL

ADD:

No extra claim for haul will be allowed the Contractor for any fill or excavated material to be hauled offsite.

152-2.14 DUST CONTROL WATERING

ADD:

This work shall consist exclusively of the control resulting from construction operations and is not intended for use in the compaction of earth embankment.

Dust shall be controlled by the uniform applicable of sprinkled water and shall be applied as directed by the Engineer, in a manner meeting his approval.

Dust control watering shall not be paid for separately, but shall be considered incidental to this item.

METHOD OF MEASUREMENT

152-3.2, 3.3

DELETE: These sections.

152-3.4

ADD:

Dust control watering will not be measured for payment, but shall be considered incidental to the contract items for earthwork.

BASIS OF PAYMENT

152-4.1

DELETE: These Sections.

ADD:

Payment for "UNCLASSIFIED EXCAVATION" shall also include removal of unsuitable materials, if any, at the discretion of the Engineer.

Payment will be made at the contract unit price per cubic yard measured in initial position for "UNCLASSIFIED EXCAVATION". This price shall be full compensation for furnishing all materials, labor, equipment, tools and incidentals necessary to satisfactorily complete the items.

If, upon delivery and incorporation of any materials, the Contractor has failed to provide the necessary submittals as required by Sections 30-18, 40-01, 40-03 and 40-11 of the Standard and Special Provisions, the pay item shall not included on the Construction Progress Payment report until such submittals have been furnished.

152-4.2, 4.3, 4.4

Payment will be made under:

ITEM AR152410 UNCLASSIFIED EXCAVATION - PER CUBIC YARD.
ITEM AS152410 UNCLASSIFIED EXCAVATION - PER CUBIC YARD.
ITEM AT152410 UNCLASSIFIED EXCAVATION - PER CUBIC YARD.
ITEM AU152410 UNCLASSIFIED EXCAVATION - PER CUBIC YARD.

ITEM 152540 – SOIL STABILIZATION FABRIC

CHECK SHEET #7

DESCRIPTION

152-1.1

Work under this item shall include furnishing all labor, materials and equipment necessary to install a single layer geotextile Soil Stabilization Fabric between the subgrade and base course as shown on the plans.

CONSTRUCTION METHODS

152-3.2

ADD:

Soil Stabilization Fabric shall be delivered to the jobsite in such a manner as to facilitate handling and incorporation into the work without damage. Material shall be stored in such a manner as to prevent exposure to direct sunlight and damage by other construction activities.

152-3.3

ADD:

Prior to the installation of the Soil Stabilization Fabric, the application surface shall be cleared of debris and sharp objects. In the case of subgrades, all wheel tracks or ruts in excess of 75 mm (3 inches) in depth shall be graded smooth or otherwise filled with soil to provide a reasonably smooth surface. Soil Stabilization Fabric may be installed on the application surface either by hand or by mechanical methods, provided that the fabric is not torn or the surface rutted.

152-3.4

ADD:

Soil Stabilization Fabric of insufficient width or length to fully cover the specified area shall be lapped, or sewn. The minimum laps for lap only areas are 600 mm (24 inches) and for sewn areas are 100 mm (4 inches). If sewn, the seam strength shall be equal to or exceed the minimum grab tensile strength of the fabric when tested wet.

152-3.5

ADD:

The crushed aggregate subbase shall be constructed to the width and depth required on the plans. The material shall be back dumped on the fabric in a sequence of operations beginning at the outer edges of the treatment area with subsequent placement towards the middle. Placement of material on the Soil Stabilization Fabric shall be accomplished by spreading dumped material off of previously placed material with a bulldozer blade or endloader, in such a manner as to prevent tearing or shoving of the fabric. Dumping of material directly on the fabric will only be permitted to establish an initial working platform. No vehicles or construction equipment shall be allowed on the fabric prior to placement of the crushed aggregate subbase. The granular material shall be placed to the full required thickness and compacted to the satisfaction of the Resident Engineer before any loaded trucks are allowed on the area covered.

152-3.6

ADD:

Soil Stabilization Fabric which is damaged during installation or subsequent placement of granular material, due to failure of the Contractor to comply with these provisions, shall be repaired or replaced at the Contractor's expense, including costs of removal and replacement of the granular material. Torn fabric may be patched in place by cutting and placing a piece of the same fabric over the tear. The dimensions of the patch shall be at least 600 mm (2 ft.) larger than the tear in each direction, and shall be weighted or otherwise secured to prevent the granular material from causing lap separation.

BASIS OF PAYMENT

152-5.1

ADD:

If, upon delivery and incorporation of any materials, the Contractor has failed to provide the necessary submittals as required by Sections 30-18, 40-01, 40-03 and 40-11 of the Standard and Special Provisions, the pay item shall not included on the Construction Progress Payment report until such submittals have been furnished.

Payment shall be made at the contract unit price for Soil Stabilization Fabric installed on the project. This price shall be full compensation for furnishing all materials, labor, equipment and any incidentals necessary to install the fabric as shown on the plans and specified herein.

Payment will be made under:

ITEM AR152540	SOIL STABILIZATION FABRIC	PER SQUARE YARD
ITEM AS152540	SOIL STABILIZATION FABRIC	PER SQUARE YARD
ITEM AT152540	SOIL STABILIZATION FABRIC	PER SQUARE YARD
ITEM AU152540	SOIL STABILIZATION FABRIC	PER SQUARE YARD

ITEM AR156000 – EROSION CONTROL
CHECKSHEET #8

BASIS OF PAYMENT

156-5.1

ADD:

If, upon delivery and incorporation of any materials, the Contractor has failed to provide the necessary submittals as required by Sections 30-18, 40-01, 40-03 and 40-11 of the Standard and Special Provisions, the pay item shall not included on the Construction Progress Payment report until such submittals have been furnished.

Payment will be made under:

ITEM AR156510	SILT FENCE – PER LINEAR FOOT
ITEM AR156512	BALES - PER EACH

ITEM 208515 - POROUS GRANULAR EMBANKMENT

DESCRIPTION

208-1.1

This work shall consist of furnishing and placing porous granular embankment as the field conditions warrant at the time of construction as directed by the Resident Engineer. This material is intended to repair soft subgrade as directed by the Resident Engineer. Excavation of the soft subgrade shall be paid for at the contract unit price for UNCLASSIFIED EXCAVATION.

MATERIALS

208-2.1

DELETE: Entire section.

ADD:

- (a) Description. The Coarse Aggregate shall be pit run gravel, gravel, crushed gravel, crushed stone or crushed concrete. The natural and manufactured materials are defined as follows:

Gravel. Gravel shall be the coarse granular material resulting from the reduction of rock by the action of the elements and having subangular to rounded surfaces. It may be partially crushed.

Crushed Gravel. Crushed gravel shall be the product resulting from crushing by mechanical means, and shall consist entirely of particles obtained by crushing gravel, all of which before crushing will be retained on a screen with openings equal to or larger than the maximum nominal size of the resulting crushed material. If approved by the Engineer, final product gradations may be obtained by screening or blending various sizes of crushed gravel material.

Pit or Bank Run Gravel. Pit or bank run gravel shall be a mixture of sand, gravel, silt and clay occurring naturally in a deposit, which is of such quality that it may be used with only minor processing.

Crushed Stone. Crushed stone shall be the angular fragments resulting from crushing by mechanical means the following types of rocks quarried from undisturbed consolidated deposits: granite and similar phanocrystalline igneous rocks, limestone, dolomite, sandstone, or massive metamorphic quartzite, or similar rocks.

Crushed Gravel. Crushed gravel shall be the product resulting from crushing by mechanical means, and shall consist entirely of particles obtained by crushing gravel, all of which before crushing will be retained on a one inch screen. If approved by the Engineer, final product gradations may be obtained by screening or blending various sizes of crushed gravel material.

Partially Crushed Gravel. Partially crushed gravel shall consist of crushed gravel mixed or blended with sand or other similar binding or filler materials produced from approved materials of the same source.

If approved by the Engineer, partially crushed gravel may be produced by blending of aggregates from more than one source, provided the method of blending results in a uniform product. The components of this blend need not be of the same kind of material. The source of material shall not be changed during the progress of the work without written permission from the Engineer. Where natural aggregate is deficient in fines, the material added to make up deficiencies shall be a material approved by the Engineer.

Crushed Slag. Crushed slag shall be the graded product resulting from the processing of air cooled blast furnace slag. Air cooled blast furnace slag shall be the nonmetallic product, consisting essentially of silicates and alumino-silicates of lime and other bases, which is developed in a molten condition simultaneously with iron in a blast furnace. It shall be air cooled and shall have a compact weight (ASTM C29) of not less than 70 lb/cu. ft. (1100 kg/m³).

Crushed Concrete. Crushed concrete shall be the angular fragments resulting from crushing portland cement concrete by mechanical means. The acceptance and use of crushed concrete shall be according to the latest Bureau of Materials and Physical Research policy memorandum. Evidence of this acceptance must be provided to the Resident Engineer.

The crushed coarse aggregate shall also conform to the following quality requirements:

<u>QUALITY TEST</u> <u>(IDOT "D" Quality)</u>	<u>PERCENT</u>
Na ₂ SO ₄ Soundness, 5 Cycle ASTM C 88 Max. % Loss	25
Los Angles Abrasion ASTM C 131 Max. % Loss	45

The aggregate shall be free from vegetation, lumps, or excessive amounts of clay and other objectionable substances.

All material passing the No. 4 mesh (4.75 mm) sieve produced in the crushing operation of either stone, slag, or gravel shall be incorporated in the base material to the extent permitted by the gradation requirements.

208.2-2

DELETE: Entire section.

208.2-3

DELETE: Entire section.

The material shall be free from vegetable matter, lumps or clay, and other objectionable or foreign substance.

When submitting materials for consideration, the Contractor shall provide written certification that the material meets the specified requirements. A written gradation shall also be furnished.

ADD: Gradation for Porous Granular Embankment shall be as follows:

(a)Crushed Stone and Crushed Concrete

<u>Sieve Size</u>	<u>Percent Passing</u>
*6"	90±10
2"	40±25
#200	0±10

(b) Gravel, Crushed Gravel and Pit Run Gravel

<u>Sieve Size</u>	<u>Percent Passing</u>
*4"	90±10
2"	60±25
#4	40±25
#200	5±5

*For fills greater than 18", sieve size may be 6".

CONSTRUCTION REQUIREMENTS

208-3.3 PREPARING UNDERLYING COURSE

DELETE: Entire section.

208-3.4 METHODS OF PRODUCTION

DELETE: Entire section.

208-3.5 METHODS OF SPREADING

DELETE: Entire section.

ADD: Paragraph (D)

The porous granular embankment shall be placed in lifts no greater than two (2) feet thick or as directed by the Resident Engineer. Rolling the top of this replacement material with a vibratory roller meeting the requirements of the Section of the Standard Specification should be sufficient to obtain the desired keying or interlock and necessary compaction. The Engineer shall verify that adequate keying has been obtained.

208-3.6 FINISHING AND COMPACTING

DELETE: Fifth sentence, first paragraph.

ADD:

The base shall be compacted to the satisfaction of the Engineer.

The porous granular embankment shall be used as shown and as field conditions warrant at the time of construction. No adjustment in unit price will be allowed for an increase or decrease in quantities.

Capping aggregate will not be required when embankment meeting the requirements of Section 209 of the Standard Specifications or granular subbase is placed on top of the porous granular embankment.

METHOD OF MEASUREMENT

208-4.2

ADD:

The quantity of Porous Granular Embankment shall be measured by the method of average end areas to determine the volume in cubic yards of material placed to the lines and grades shown on the plans.

BASIS OF PAYMENT

208-5.1

DELETE: Entire section.

ADD:

This work shall be paid for at the contract unit price per cubic yard for porous granular embankment, which price shall be full compensation for furnishing, spreading, compacting, and all incidentals related to equipment, labor and tools necessary to complete this work.

If, upon delivery and incorporation of any materials, the Contractor has failed to provide the necessary submittals as required by Sections 30-18, 40-01, 40-03 and 40-11 of the Standard and Special Provisions, the pay item shall not included on the Construction Progress Payment report until such submittals have been furnished.

Payment will be made under:

**ITEM AR208515 POROUS GRANULAR EMBANKMENT - PER CUBIC YARD.
ITEM AS208515 POROUS GRANULAR EMBANKMENT - PER CUBIC YARD.
ITEM AT208515 POROUS GRANULAR EMBANKMENT - PER CUBIC YARD.
ITEM AU208515 POROUS GRANULAR EMBANKMENT - PER CUBIC YARD.**

ITEM AR20900 - CRUSHED AGGREGATE BASE COURSE

MATERIALS

209-2.3 GRADATION

DELETE: Gradation "C" in Table 1.

CONSTRUCTION METHODS

209-3.6 FINISHING AND COMPACTING

DELETE: The Fifth sentence of the first paragraph.

ADD:

The 11" crushed aggregate base course for the taxiway and taxiway shoulders shall be compacted to not less than 100% of maximum density at optimum moisture as determined by compaction control tests specified in Division VII for aircraft with gross weights of 60,000 lbs and over (Modified Proctor ASTM D1557).

The 8" crushed aggregate base course for the RIAT Rd. shall be compacted to not less than 95% of maximum density at optimum moisture as determined by compaction control tests specified in Division VII for aircraft with gross weights of less than 60,000 lbs (Standard Proctor ASTM D698).

METHOD OF MEASUREMENT

209-4.1

DELETE: This section

BASIS OF PAYMENT

209-5.1

DELETE: This section.

ADD:

Payment shall be made at the contract unit price per square yard for crushed aggregate base course. This price shall be full compensation for furnishing all materials and for all preparation, hauling, placing and compacting of these materials, and for all labor, equipment, tools and incidentals necessary to complete this item.

If, upon delivery and incorporation of any materials, the Contractor has failed to provide the necessary submittals as required by Sections 30-18, 40-01, 40-03 and 40-11 of the Standard and Special Provisions, the pay item shall not be included on the Construction Progress Payment report until such submittals have been furnished.

Payment will be made under:

- ITEM AS209608 CRUSHED AGG. BASE COURSE - 8" - PER SQUARE YARD.**
- ITEM AR209611 CRUSHED AGG. BASE COURSE - 11" - PER SQUARE YARD.**
- ITEM AT209611 CRUSHED AGG. BASE COURSE - 11" - PER SQUARE YARD.**
- ITEM AU209611 CRUSHED AGG. BASE COURSE - 11" - PER SQUARE YARD.**

ITEM AR401002 BITUMINOUS SURFACE COURSE METHOD II

CHECK SHEET NO. 20

MATERIALS

401-3.2 JOB MIX FORMULA (JMF)

Revise the first sentence of the first paragraph to read:

The Contractor is responsible for the job mix formula (JMF) and no bituminous mixture for payment shall be produced until the approved JMF is submitted to the Contractor in writing by the Project Engineer.

Revise Table 2 to read as follows:

TABLE 2 MARSHALL DESIGN CRITERIA

	OVER 60,000 lb. (1)
Number of Blows	75
Stability (Min.)	1800
Flow	8 – 16
Percent Air Void	2 – 4
Voids Filled With Asphalt (%)	75 - 90

CONSTRUCTION METHODS

401-4.11 JOINTS

Add the following paragraph to this section:

At any time during the surface course paving operation it becomes necessary to end a paving lane at a location other than the proposed finished pavement edge because of ending a day's paving, machinery breakdown, etc.; the lane end will be sawed back a sufficient distance to provide a smooth, neat appearing joint from which to resume paving. The sawed face will be painted with a tack coat and this work shall be considered incidental to Item 401, Bituminous Surface Course, and no additional compensation will be allowed.

401-4.12 SHAPING EDGES

ADD:

All pavement edges, including the pavement ends, must be left in proper alignment as shown on the plans. This may be accomplished by a trimming method or at the Contractor's option by sawing after the paving has been completed. No additional compensation will be made if the sawing method is used.

METHOD OF MEASUREMENT

401-5.1

ADD:

Measurement for payment will not be made for any bituminous surface course in excess of 103 percent of the quantity specified by the Engineer.

BASIS OF PAYMENT

Payment will be made under:

- ITEM AR401610 BITUMINOUS SURFACE COURSE – PER TON.
- ITEM AS401610 BITUMINOUS SURFACE COURSE – PER TON.
- ITEM AT401610 BITUMINOUS SURFACE COURSE – PER TON.
- ITEM AU401610 BITUMINOUS SURFACE COURSE – PER TON.
- ITEM AR401630 BITUMINOUS SURFACE TEST SECTION – PER EACH.

ITEM 401650 BITUMINOUS PAVEMENT MILLING CHECK SHEET #24

401-1.1

ADD:

This item shall consist of bituminous pavement milling for various areas as shown on the plans. The pavement shall be removed and placed in accordance with these specifications and shall conform to the lines, grades, thickness and typical sections as shown on the plans or as directed by the Engineer.

The bituminous millings generated shall be used as structural fill material for the proposed taxiway and taxiway shoulder widening. The costs associated with the milling, hauling, shaping, grading and compacting of this fill material shall be considered incidental to the pay item: AR401650 BITUMINOUS MILLING.

ADD: To the second sentence.

The type of material to be removed along with approximate typical pavement section is shown on the plans. Pavement structure information was taken from airport records, data supplied by airport personnel and soil borings. The Contractor shall verify the type and thickness of material to be removed. **No extra compensation will be allowed for any variations in the pavement sections actually encountered.**

CONSTRUCTION METHODS

401-3.1

ADD:

The existing pavement areas to be removed shall be done in such a manner as to prevent damage to the adjacent pavements. All edges adjacent to existing pavements shall be saw cut full depth prior to removal, as directed by the Engineer.

The bituminous pavement millings shall be placed in 6" maximum lifts and compacted with a vibratory roller to provide uniform, stable and non-yielding layers to the satisfaction of the Engineer.

Any temporary stockpiling and/or re-handling of the material necessary in order to properly incorporate the bituminous pavement millings into the proposed fill areas shall be considered incidental to the work required under this pay item.

If the quantity of millings generated from the pavement removal operations exceeds the quantity required for structural fill, the remaining millings shall be hauled and placed in an on-Airport location designated by the Resident Engineer. The cost of the hauling and placing shall be incidental to the pay item.

METHOD OF MEASUREMENT

401-4.1

ADD:

The area of pavement milling shall be measured by the number of square yards, satisfactorily removed, placed as fill, shaped, graded and compacted as shown on the plans or as directed by the Engineer.

If pavement or subgrade material is removed due to negligence on the part of the Contractor, the additional quantity of pavement removal and replacement of subgrade material will not be measured for payment.

BASIS OF PAYMENT

401-5.1

ADD:

If, upon delivery and incorporation of any materials, the Contractor has failed to provide the necessary submittals as required by Sections 30-18, 40-01, 40-03 and 40-11 of the Standard and Special Provisions, the pay item shall not be included on the Construction Progress Payment report until such submittals have been furnished.

Payment will be made under:

ITEM AR401650 BITUMINOUS PAVEMENT MILLING - PER SQUARE YARD

ITEM AT401650 BITUMINOUS PAVEMENT MILLING - PER SQUARE YARD

ITEM 401655 BUTT JOINT CONSTRUCTION

CHECK SHEET #25

401-1.1

ADD:

This item shall consist of bituminous pavement removal for various areas as shown on the plans. The pavement shall be removed and disposed of in accordance with these specifications and shall conform to the lines, grades, thickness and typical sections as shown on the plans or as directed by the Engineer.

The existing bituminous pavement removed shall be disposed of off airport property.

Sawcutting of the existing bituminous pavement at the ends of the removals shall be incidental to the associated item.

METHOD OF MEASUREMENT

401-4.1

ADD:

The area of pavement removal shall be measured by the number of square yards, satisfactorily removed and disposed of as shown on the plans or as directed by the Engineer.

BASIS OF PAYMENT

401-5.1

If, upon delivery and incorporation of any materials, the Contractor has failed to provide the necessary submittals as required by Sections 30-18, 40-01, 40-03 and 40-11 of the Standard and Special Provisions, the pay item shall not included on the Construction Progress Payment report until such submittals have been furnished.

Payment will be made under:

ITEM AR401655	BUTT JOINT CONSTRUCTION - PER SQUARE YARD.
ITEM AT401655	BUTT JOINT CONSTRUCTION - PER SQUARE YARD.
ITEM AU401655	BUTT JOINT CONSTRUCTION - PER SQUARE YARD.

ITEM 501002 – PORTLAND CEMENT CONCRETE PAVEMENT-METHOD II

CHECK SHEET #28

MATERIALS

501-2.4 PREMOLDED JOINT FILLER

REWRITE the first sentence to read:

Premolded joint filler for expansion joints shall conform to the requirements of ASTM D-1752 with compression requirement modified to 10 psi minimum and 25 psi maximum and shall be Ceramar by W.R. Meadows, or approved equivalent.

501-2.6 STEEL REINFORCEMENT

DELETE: This section.

ADD:

Reinforcement bars required at fillets and structures shall be deformed steel bar Grade 40 or 60 conforming to ASTM A-615 or ASTM A-616. Reinforcement bars designated as ASTM A-615 can be used for construction requiring bent bars. Reinforcement bars designated as ASTM A-616 can only be used if they are straight.

Reinforcement of odd-shaped panels, if required by the Engineer in the field, shall be panels of welded wire fabric of the size and dimensions shown in the plans conforming to ASTM A-185.

501-2.6 DOWEL AND TIE BARS

ADD:

All dowel bars shall be fastened firmly in position with an approved contraction joint dowel bar assembly prior to the start of paving operations or mechanically inserted per article 420.10 of the IDOT Standard Specifications for Road and Bridge Construction. Loose dowel bars will not be accepted.

Contraction Joint Assembly. The contraction joint assembly shall be an approved welded assembly possessing the rigidity to hold the dowels during the placing and compacting of the concrete to the degree of alignment specified hereinafter. The assembly shall have 4 parallel spacer bars and 2 subgrade-bearing members. An upright support at each end of dowel shall be welded to both the outside spacer bar and the bearing member at appropriate points to hold the dowels at the design height. The two inside spacer bars shall be spaced approximately 2 inches on each side of center.

The dowels shall be spaced as shown on the plans and alternate ends shall be welded to the outside spacer bars. One weld is permitted per bar. The end of each dowel not welded to a spacer bar shall be securely held in place by means of wire loops or metal tubes welded to the other outside spacer bar. Suitable ties shall be provided to hold the assembly in normal position during shipping, handling and installation. Wire sized shall not be less than W7 for the outside spacer bars, bearing members and upright supports and W5 wire for the 2 inside spacer bars. The tie wires used for securing the spacer bars shall not be less than W3 wires.

The assembly shall be provided with 2 continuous bearing plates of not less than 2-inch width and not less than 0.0359 inches thickness sheet steel. The bearing plates shall be attached by welding to the subgrade members or by suitable clips and shall be punched to receive the protruding ends of the upright supports and stakes. The stakes shall be driven parallel to and next to the upright supports. The subgrade bearing members may be omitted if suitable subgrade plates are shop welded to the assembly and provide equivalent rigidity. Bearing plates will not be required on stabilized subbase.

The welds in the assembly shall be securely made. A broken weld will be sufficient cause for rejection of the length or section of the assembly in which it occurs.

501-2.9 COVER MATERIAL FOR CURING

DELETE: (b), (c) and (d).

REVISE: (a) as follows:

Curing materials shall be liquid membrane-forming compounds conforming to the requirements of ASTM C-309, Type 2 (White Pigmented).

501-2.11 CHEMICAL ADHESIVES

ADD:

Non-shrink grout will not be allowed as a material used to anchor dowel bars to hardened concrete.

CONSTRUCTION METHODS

501-3.1 EQUIPMENT

501-3.1 (d) CONCRETE SAW

ADD:

Only self-propelled, water-cooled and lubricated saws with diamond blades shall be used on this project.

501-3.1 (e) FORMS

ADD:

All radii and tapers shall be formed with flexible forms.

501-3.1 (f) SLIP-FORM PAVERS

ADD:

The guide wires for pavers shall be set with steel standards (pins) driven into the subbase. An alternate method will be standards set with weighted bases.

501-3.1 (g) DRILLING MACHINE

ADD:

The machine used for drilling the holes for dowel bars in the face of the pavement shall be capable of drilling the size and depth of holes as shown on the plans. A drill support system using the pavement surface as a reference shall be required to assure hole alignment at the specified depth of the PCC pavement. Hand-held tools will not be allowed.

501-3.2 FORM SETTING

ADD:

In the event that the pavement is constructed utilizing the formed paving technique, the paving lane forms supported by the subbase shall be anchored by steel pins. No formed areas shall be poured until the Engineer has checked and accepted the formwork for both alignment and elevation.

501-3.3 CONDITIONING OF UNDERLYING COURSE, SLIP-FORM CONSTRUCTION

DELETE: The first sentence.

ADD:

The existing grade along the outer edges of the new pavement shall be improved, if necessary, to support the paver without noticeable displacement. Any grading, compacting, or furnishing and installing materials shall be considered incidental to the unit prices for paving and no separate payment will be made.

All areas shall be constructed true to grade and acceptable to the Engineer prior to paving.

During placement of the concrete pavement, the subbase shall be maintained in a moist condition without accumulation of pools of water.

In the event that the underlying course has become over-saturated or unstable, paving operations shall stop until corrected unless otherwise approved by the Engineer.

501-3.4 CONDITIONING OF UNDERLYING COURSE, SIDE-FORM CONSTRUCTION

ADD:

All areas shall be constructed true to grade and acceptable to the Engineer prior to paving.

During placement of the concrete pavement, the subbase shall be maintained in a moist condition without accumulation of pools of water.

In the event that the underlying course has become over-saturated or unstable, paving operations shall stop until corrected unless otherwise approved by the Engineer.

501-3.6(a) PROPORTIONS

DELETE: This section.

501-3.7 FIELD TEST SPECIMENS

ADD:

The Contractor shall provide a system of marking and tracking samples taken in the field. The system shall be provided at the Preconstruction conference and shall, at a minimum, provide location of sample, lot number and curing and reporting of all test specimens manufactured by the Contractor's personnel.

The Contractor shall provide the forms or molds used to make compressive test cylinders or flexural beam specimens.

501-3.10 PLACING CONCRETE

(a) Side-Form Method

DELETE: Second paragraph.

ADD:

When concrete is to be placed adjoining a previously constructed lane of pavement and when mechanical equipment will be operated upon the existing lane of pavement, the concrete shall have a minimum flexural strength of 550 psi or compressive strength of 3500 psi. If only finishing equipment is carried on the existing lane, paving in adjoining lanes may be permitted after 3 days, if approved by the Engineer.

(b) Slip-Form Method

ADD:

In addition to the requirements of this section, the concrete shall be placed as described in the applicable sections of Section 501-3.10(a). Any equipment used for transporting concrete shall be capable of discharging the material at a minimum specified slump. Concrete that is transported in vehicles not capable of discharging concrete at a minimum specified slump is subject to rejection by the Engineer.

501-3.12 JOINTS

ADD: Paving

(a) Installation

ADD:

All joints shall be saw cut. Only diamond blade saws with water-cooling shall be used on this project. No dry sawing or inserts will be allowed. Protection of previously sawed joints from slip-form operations shall be provided in the form of rubber mats or other means acceptable to the Engineer. The Contractor shall be required to place rubber mats (or other approved material) along the pavement edge prior to drilling dowel bar holes. In addition, any damage to the pavement cause by the drilling operation shall be repaired to the satisfaction of the Engineer at no additional cost to the contract.

501-3.14 SURFACE TEXTURE

ADD:

The surface of the pavement shall be finished with a burlap drag or other approved method acceptable to the Engineer.

501-3.17 CURING

(a) **Impervious Membrane Method** shall be utilized for this project.

ADD:

For slip-form paving, the approved curing media shall be applied uniformly to all surfaces of the pavement, including exposed edges. Membrane curing compounds shall be applied on all concrete surfaces from a suitable self-propelled mechanical application device, which bridges the fresh concrete, designed to provide a uniform application. Other curing systems will not be permitted.

Care shall be taken when this method of curing is used. Should conditions prevail such that curing material is being blown toward buildings or aircraft, appropriate measures shall be taken to eliminate the problems to the satisfaction of the Engineer. Two (2) separate applications, applied at least five minutes apart, each at the rate of not less than 1 gallon per 250 square feet will be required upon surfaces and edges of the concrete. Another application shall be necessary to cover any deficient areas less than 1 gallon per 125 square feet. The curing membrane shall be sprayed as soon as possible without damage to the pavement surface. Excessive delays in application of the membrane resulting in shrinkage cracking will be cause for rejection of the affected pavement necessitating removal.

501-3.23 TEST SECTION FOR SLIP-FORM PAVERS

Prior to paving using the slip-form paving method, an area of the new pavements designated by the Engineer shall be paved to develop and demonstrate satisfactory procedures and concrete mix. The test section shall be located within the new pavement limits and all costs associated with the test section shall be incidental to this item.

501-3.24 GRADE CONTROL FOR SLIP-FORM PAVERS

Grade control on all free edges of slip-form pavement shall be from string lines. The use of transverse grade control from the paver will not be permitted.

501-3.25 PROTECTION OF PAVEMENT AGAINST RAIN

In order that the concrete may be properly protected against the effects of rain before the concrete is sufficiently hardened, the Contractor will be required to have available at all times materials for the protection of the edges and surface of the unhardened concrete. Such protective materials shall consist of standard metal forms or wood plank having a nominal thickness of the pavement at its edge for the protection of the pavement edges, and covering material such as curing paper or polyethylene sheeting material for the protection of the surface of the pavement. The metal forms, wood planks and curing paper shall be kept on trucks or towable vehicles, within reasonable hauling distance, at a site shown on the plans, or as designated by the Engineer. Or, as an alternate, rolled polyethylene sheeting of sufficient length and width may be used without the temporary side forms and if properly anchored, to cover the plastic concrete slab and exposed edge. The sheeting may be mounted on either the paver or a separate moveable bridge from which it can be unrolled without dragging over the plastic concrete surface. When rain appears imminent, all paving operations shall stop and all available personnel shall begin covering the surface of the unhardened concrete with the protective covering. All pavement damaged shall be removed and replaced at no additional cost to the contract.

501-3.26 REMOVAL OF DEFECTIVE WORK

At locations determined by the Engineer, the contractor shall be required to remove any pavement or sidewalk which is classified as defective. This includes any area where non-controlled (random) cracking occurs, unacceptable surface texturing or any other defect determined unacceptable by the Engineer. The pavement shall be removed to the nearest joint and replaced at the expense of the contractor. Prior to replacement, dowels and tie bars will be provided as directed by the Engineer.

BASIS OF PAYMENT

501-5.1

ADD:

If, upon delivery and incorporation of any materials, the Contractor has failed to provide the necessary submittals as required by Sections 30-18, 40-01, 40-03 and 40-11 of the Standard and Special Provisions, the pay item shall not included on the Construction Progress Payment report until such submittals have been furnished.

Payment will be made under:

ITEM AR501515 15" PCC PAVEMENT – PER SQUARE YARD.
ITEM AR501530 PCC TEST BATCH – PER EACH.

ITEM AR602000 BITUMINOUS PRIME COAT

DESCRIPTION

602-1.1

ADD:

This item shall consist of the application of a prime coat on the aggregate base prior to construction of the bituminous pavements as shown in the plans.

BASIS OF PAYMENT

602-5.1

ADD:

If, upon delivery and incorporation of any materials, the Contractor has failed to provide the necessary submittals as required by Sections 30-18, 40-01, 40-03 and 40-11 of the Standard and Special Provisions, the pay item shall not included on the Construction Progress Payment report until such submittals have been furnished.

Payment will be made under:

ITEM AR602510 BITUMINOUS PRIME COAT - PER GALLON.
ITEM AS602510 BITUMINOUS PRIME COAT - PER GALLON.
ITEM AT602510 BITUMINOUS PRIME COAT - PER GALLON.
ITEM AU602510 BITUMINOUS PRIME COAT - PER GALLON.

ITEM 603 - BITUMINOUS TACK COAT

DESCRIPTION

603-1.1

Insert the following as the second paragraph:

The proposed bituminous surface course shall be placed on an existing bituminous surface course base. The existing bituminous surface course base shall have a tack coat of bituminous material applied in accordance with the requirements of this Special Provision. A tack coat shall be applied between bituminous pavement lifts. All vertical faces shall receive an application of tack coat.

BASIS OF PAYMENT

603-5.1

ADD:

If, upon delivery and incorporation of any materials, the Contractor has failed to provide the necessary submittals as required by Sections 30-18, 40-01, 40-03 and 40-11 of the Standard and Special Provisions, the pay item shall not included on the Construction Progress Payment report until such submittals have been furnished.

Payment will be made under:

ITEM AR603510 BITUMINOUS TACK COAT - PER GALLON.
ITEM AS603510 BITUMINOUS TACK COAT - PER GALLON.
ITEM AT603510 BITUMINOUS TACK COAT - PER GALLON.
ITEM AU603510 BITUMINOUS TACK COAT - PER GALLON.

ITEM AR610000 - STRUCTURAL PORTLAND CEMENT CONCRETE

BASIS OF PAYMENT

610-5.1

DELETE: Entire Section.

ADD:

No direct payment will be made for structural Portland cement concrete. The cost of furnishing and installing structural concrete shall be considered incidental to the contract unit prices for the respective pay items utilizing the concrete. These prices shall be full compensation for furnishing all materials and for all preparation, delivering and installation of these materials, and for all labor, equipment, tools and incidentals necessary to complete the item.

If, upon delivery and incorporation of any materials, the Contractor has failed to provide the necessary submittals as required by Sections 30-18, 40-01, 40-03 and 40-11 of the Standard and Special Provisions, the pay item shall not included on the Construction Progress Payment report until such submittals have been furnished.

ITEM AR620 PAVEMENT MARKING

MATERIALS

620-2.2 PAINT

ADD to Supplemental at the end of the first paragraph:

"The paint shall contain no lead, chromium, cadmium and barium."

ADD to the end of Section 620-2.2.1 WATERBORNE:

Red Paint shall conform to Federal Specification TT-P-1952D, Type 1.

METHOD OF MEASUREMENT

620-4.1

ADD:

The quantity of permanent markings to be paid for shall be the number of square feet of painting with the specified material **measured only once to apply two coats** in conformance with the specifications and accepted by the Resident Engineer. Quantities will not be distinguished between red and yellow colors of paint. Black paint shall be measured separately. The dimensions measured for the proposed pavement marking shall be limited to the dimensions of the red, yellow and black paint.

BASIS OF PAYMENT

620-5.1

ADD:

Payment shall be made at the contract unit price per square foot for pavement marking. This price shall be full compensation for furnishing all materials to apply two coats of the required application rate of material, equipment, tools, and incidentals necessary to complete the item.

If, upon delivery and incorporation of any materials, the Contractor has failed to provide the necessary submittals as required by Sections 30-18, 40-01, 40-03 and 40-11 of the Standard and Special Provisions, the pay item shall not included on the Construction Progress Payment report until such submittals have been furnished.

Payment will be made under:

- ITEM AR620520 PAVEMENT MARKING - WATERBORNE – PER SQUARE FOOT.**
- ITEM AS620520 PAVEMENT MARKING - WATERBORNE – PER SQUARE FOOT.**
- ITEM AT620520 PAVEMENT MARKING - WATERBORNE – PER SQUARE FOOT.**
- ITEM AU620520 PAVEMENT MARKING - WATERBORNE – PER SQUARE FOOT.**
- ITEM AR620525 PAVEMENT MARKING – BLACK BORDER – PER SQUARE FOOT.**
- ITEM AT620525 PAVEMENT MARKING – BLACK BORDER – PER SQUARE FOOT.**
- ITEM AU620525 PAVEMENT MARKING – BLACK BORDER – PER SQUARE FOOT.**

DIVISION IV – DRAINAGE PIPE

ITEM 701 – PIPE FOR STORM SEWERS AND CULVERTS

(SUPPLEMENTAL SPECIFICATION)

MATERIALS

701-2.1 GENERAL

DELETE: Entire Section.

ADD:

Pipe shall be of the type and diameter indicated and installed at the locations shown on the plans. Pipe for storm sewers shall be corrugated metal pipe conforming to ASTM A-760 per Section 542 of the Illinois Department of Transportation Standard Specifications for Road and Bridge Construction dated January 1, 2007 unless otherwise called out in the plans. All pipe shall be Type 1.

BASIS OF PAYMENT

701-5.1

ADD:

If, upon delivery and incorporation of any materials, the Contractor has failed to provide the necessary submittals as required by Sections 30-18, 40-01, 40-03 and 40-11 of the Standard and Special Provisions, the pay item shall not included on the Construction Progress Payment report until such submittals have been furnished.

ITEM AS701218 18” CMP PER LINEAR FOOT.

ITEM 752 – CONCRETE CULVERTS, HEADWALLS AND MISC. DRAINAGE STRUCTURES

(SUPPLEMENTAL SPECIFICATION)

DESCRIPTION

752-1.1

ADD:

Specifically, this item shall consist of the installation of metal end sections per IDOT Standard Detail 542401 and in accordance with these specifications at the locations shown in the plans.

BASIS OF PAYMENT

ITEM AS752218 METAL END SECTION 18” PER EACH.

DIVISION V - TURFING

ITEM 901 - SEEDING

DESCRIPTION

901-1.1

REVISE: This section to read:
This item shall consist of seeding and fertilizing the proposed grading areas adjacent to the proposed pavements, miscellaneous grading areas and any area disturbed as a result of the Contractor's operations

MATERIALS

901-2.1 SEED

REVISE: This section to read:
The seed mixtures shall be as follows:

SEEDING MIXTURE	
<u>SEEDS</u>	<u>LBS/ACRE</u>
Alta Fescue	120
Perennial Ryegrass	40
Dawson Red Fescue	40
Scaldis Hard Fescue	40
Fulfs Salt Grass (note 1)	120
TOTAL	360

Note 1: Fulfs Pucinnellia Distans.

Alternate seed mixtures may be submitted for consideration by the Engineer.

METHOD OF MEASUREMENT

901-4.1

ADD:
Areas of seeding not showing a uniform stand of grass in density and color shall not be approved for payment. Such areas shall be reseeded to the Owner's satisfaction at the Contractor's cost.

BASIS OF PAYMENT

901-5.1

ADD:
If upon delivery and incorporation of any materials, the Contractor has failed to provide the necessary submittals as required by Sections 30-18, 40-01, 40-03 and 40-11 of the Standard and Special Provisions, the pay item shall not included on the Construction Progress Payment report until such submittals have been furnished.

Payment will be made under:

ITEM AR901510 SEEDING - PER ACRE.
ITEM AS901510 SEEDING - PER ACRE.
ITEM AT901510 SEEDING - PER ACRE.
ITEM AU901510 SEEDING - PER ACRE.

ITEM 905 - TOPSOILING

DESCRIPTION

905-1.1

ADD:

When the unclassified excavation operations do not provide enough suitable topsoil to be placed as called for in the plans, the balance shall be supplied from an offsite source.

METHOD OF MEASUREMENT

905-4.1

ADD:

The yardage of topsoil obtained from onsite excavation operations shall not be measured for payment but will be considered incidental to Unclassified Excavation.

905-4.2

ADD:

The yardage of topsoil obtained off the site to be paid for shall be the number of cubic yards of topsoil measured in its final position.

BASIS OF PAYMENT

905-4.1

ADD:

Payment will be made at the contract unit price per cubic yard in its final position for topsoiling (from off site). The price shall be full compensation for furnishing all materials and for all preparation, placing, and spreading of the materials, and for all labor, equipment, tools, and incidentals necessary to complete this item.

If upon delivery and incorporation of any materials, the Contractor has failed to provide the necessary submittals as required by Sections 30-18, 40-01, 40-03 and 40-11 of the Standard and Special Provisions, the pay item shall not be included on the Construction Progress Payment report until such submittals have been furnished.

Payment will be made under:

ITEM AR905520 TOPSOILING (FROM OFF SITE) – PER CUBIC YARD
ITEM AS905520 TOPSOILING (FROM OFF SITE) – PER CUBIC YARD
ITEM AT905520 TOPSOILING (FROM OFF SITE) – PER CUBIC YARD
ITEM AU905520 TOPSOILING (FROM OFF SITE) – PER CUBIC YARD

DIVISION VI - LIGHTING INSTALLATION

ITEM 108 - INSTALLATION OF UNDERGROUND CABLE FOR AIRPORTS

DESCRIPTION

108-1.1

ADD:

This item of work shall consist of the underground installation of 5000V cables in unit duct or conduit. A marking tape shall be placed above all cables being installed. When crossing existing circuits or as requested by the Engineer, the Contractor shall hand dig the trenches for the proposed cable.

The hand digging and trenching of this cable will be considered incidental to the contract unit price of the proposed cable and no additional compensation will be allowed.

Contractor shall color code all airfield lighting cables in ducts, manholes and the vault as acceptable to the Engineer. All costs of color coding shall be considered incidental to the contract unit price for the associated item.

EQUIPMENT AND MATERIALS

108-2.2 CABLE

ADD:

Lighting Cable, 5000V under this item shall be permitted to be:

- 1/C #8, 5KV, L-824 TYPE C in conduit.
- 1/C #8, 5KV, L-824 TYPE C in ¾" unit duct.

108-2.3 BARE COPPER WIRE (COUNTERPOISE)

DELETE: This section.

108-2.4 CABLE CONNECTIONS

DELETE: Paragraphs (b), and (e).

ADD:

- (f) Only L-823 Plug-In-Splice Cable Connector shall be used for airfield lighting circuit connections.

To further reduce the possibility of water (moisture) entrance into the connector between the cable and the field-attached connector, heat shrinkable tubing with interior adhesive shall be applied over all cable connections.

The heat shrinkable tubing shall cover the entire L-823 connector. All connections shall be at manholes or light bases. No direct burial splicing will be allowed.

All connections shall be at splice cans, handholes, manholes or light bases. No direct burial splicing will be allowed. If required, drill into existing light base and install 2" grommet in the direction of the new cable routing. The cost of drilling, grommet and connections shall be incidental to the cost of new cable installation.

In line connections for existing cables to be spliced or those which are cut during construction shall be repaired with the cast splice kit. The Contractor shall have a minimum of five (5) splice kits on the jobsite at all times for emergency repairs. Splice markers shall be installed over each splice in cables not to be abandoned. Cast splice kits shall be as specified in paragraph (a). All field splices shall be covered with a flexible polyolefin heat-shrinkable sleeve.

108-2.7 HEAT SHRINK TUBING

Heat shrink tubing for FAA Type L-823 and receptacle cable connections shall be Raychem APL 1300/400-16, Sigmaform Corp. Series APL-823A or equal. Complete kit shall be used and shall be capable of being stripped off easily for re-entry.

Heat shrink tubing for 5KV, L-824 Airfield in-line splices shall be Raychem HVS-501 or equal.

CONSTRUCTION METHODS

108-3.1 GENERAL

ADD:

The locations of existing cables are taken from available record maps and it will be necessary for the contractor to make field investigations to determine the exact locations of underground cable and conduits at critical points.

108-3.2 INSTALLATION IN DUCT OR CONDUIT

ADD:

Contractor shall remove existing cables from existing conduit for taxiway "B" circuit as shown on the plans and install new 1/C # 8 5KV, L-824 TYPE C cable in its place.

108-3.3 TRENCHING

Change 18 inches to 30 inches in the last sentence of the second paragraph.

ADD:

The installation of GRS conduit using the plowing-in method will not be allowed.

108-3.4 INSTALLATION IN TRENCHES

Change the first sentence to read as follows:

The Contractor shall not use a cable plow for installing the cable.

108-3.5 BACKFILLING

ADD:

Marking tape shall be placed 12 inches above the cables being installed.

108-3.8 SPLICING

DELETE: Paragraphs b, c, d and e.

Direct buried splices will not be allowed in new circuits unless otherwise approved by the Engineer. Any repairs necessary in the new cable after backfilling the trench or after plowing incomplete and discovered during the testing of the circuits, shall be done in accordance with Paragraph 108-2.4 (a) of this Specification.

108-3.9 BARE COUNTERPOISE WIRE INSTALLATION AND GROUNDING FOR LIGHTNING PROTECTION

DELETE: This section.

108-3.10 TESTING

ADD:

The cable after installation and after connection to all isolation transformers, but before connection to power source (constant current regulators, power transformers, disconnect switches, etc.) and/or connection to load other than isolation transformers shall be tested in the following manner:

1. Contractor shall meggar all new circuit after installation and before connection of the circuit to the regulator, power transformer, disconnect switches, etc. Each test shall last for a minimum of one minute after instrument readings have been stabilized. The minimum acceptable insulation resistance value shall be 50 MEGOHMS for new circuits. The minimum acceptable insulation resistance value for existing upgraded circuits shall be no less than the initial meggar reading, taken prior to the start of construction.
2. When unacceptable readings are obtained, the contractor shall locate the fault(s) and correct them.
3. The test equipment and power to operate it shall be furnished and operated by the Contractor at no additional cost. The Engineer shall approve the equipment before testing is commenced. The Engineer shall witness all tests.
4. Circuits to remain in service will be tested prior to the start of construction to assure they are operational. These same circuits will be tested after construction has been completed, and the readings will be required to be the same or greater than the pre-construction meggar results.
5. All cable found to be defective due to installation methods shall be replaced by the Contractor at his expense.

The remaining existing airfield circuits within the working limits of this contract, which are not scheduled to be added to or deleted from, shall also be megged in the presence of the Engineer and a representative from the Airport before any work is performed. Any subsequent damage to these existing circuits shall be immediately repaired at no cost to the contract, such that meggar readings taken after completion of the repair shall be, as a minimum, equal to the reading taken before the work began. The Contractor shall provide written documentation of all meggar tests, with acceptance signatures of the airport's and engineer's representative.

108-3.12 LOCATING OF EXISTING CABLES

Contractor shall locate and mark all existing cables within ten (10) feet of proposed excavation or plowing/trenching area. Any cables found interfering with proposed excavation or cable plowing/trenching shall be hand dug and exposed. Any damaged cables shall be immediately repaired to the satisfaction of the Engineer at the Contractor's expense. The Engineer and Owner shall be notified immediately if any cables are damaged.

It should be noted that utility (Commonwealth Edison and Ameritech) cables shall be located by the utility. The contact person shall be J.U.L.I.E. (Joint Utility Locating Information for Excavators) at 1-800-892-0123.

Payment for locating and marking underground cable will not be paid for separately but shall be considered incidental to the plowing/trenching of unit-duct.

108-3.13 TERMINATIONS AND CONNECTIONS

In line connections for existing cables cut during construction shall be repaired with the cast splice kit. The contractor shall have a minimum of five (5) splice kits on the jobsite at all times for emergency repairs. Splice markers shall be installed over each splice in cables not to be abandoned. Cast splice kits shall be as specified in Paragraph (a) of item 108-2.4.

Any repairs necessary after backfilling the trenches shall be done at the Contractor's expense and shall consist of replacing the entire length of damaged cable between units.

If, due to the length of spool ordered by the Contractor, it is necessary to install additional handholes, the Contractor shall supply same at no additional cost to the project. The handhole shall be the size as directed by the Engineer.

METHOD OF MEASUREMENT

108-4.1 DELETE: This section.

ADD:

The lineal footage of airfield cable in unit duct or conduit to be paid for shall be the number of lineal feet installed, measured in place, completed, ready for operation, and accepted as satisfactory. No extra quantity will be allotted for any vertical distances or the required cable slack, as stated under Item 108-3.4. The cost of removal of the existing cable, routing the cable through duct and all necessary splices and duct markers shall be incidental to the unit price bid for the cable.

BASIS OF PAYMENT

108-5.1

ADD:

If, upon delivery and incorporation of any materials, the Contractor has failed to provide the necessary submittals as required by Sections 30-18, 40-01, 40-03 and 40-11 of the Standard and Special Provisions, the pay item shall not be included on the Construction Progress Payment report until such submittals have been furnished.

Payment will be made under:

ITEM AR108108 1/C #8 KV UG CABLE – PER LINEAL FOOT.
ITEM AT108108 1/C #8 KV UG CABLE – PER LINEAL FOOT.
ITEM AU108108 1/C #8 KV UG CABLE – PER LINEAL FOOT.
ITEM AR108158 1/C #8 KV UG CABLE IN UD – PER LINEAL FOOT.
ITEM AT108158 1/C #8 KV UG CABLE IN UD – PER LINEAL FOOT.
ITEM AU108158 1/C #8 KV UG CABLE IN UD – PER LINEAL FOOT.

ITEM 110 INSTALLATION OF AIRPORT UNDERGROUND ELECTRICAL DUCT

DESCRIPTION

110-1.1

ADD:

This item shall consist of the construction of the proposed concrete encased duct extension, split ducts, and direct buried GRS conduit including appropriate duct markers at the locations shown in the plans or as directed by the Engineer.

Trenching and backfilling for the ducts conduit and handholes shall not be paid for separately, but shall be considered incidental to the associated duct. Contractor shall provide pull wire for each conduit and cap the unused conduits for future use.

EQUIPMENT AND MATERIALS

110-2.2 BITUMINOUS FIBER DUCT

DELETE: This section.

110-2.3 ASBESTOS CEMENT DUCT

DELETE: This section.

110-2.5 STEEL CONDUIT

DELETE: This section

ADD:

All steel conduit used in this project shall be galvanized rigid steel.

110-2.8 DUCT MARKER

ADD:

Contractor shall provide duct markers for each proposed concrete encased duct, GRS conduit or existing duct being used as detailed in the plans. The cost of installation of the duct markers shall be incidental to the price of concrete encased duct and steel duct.

METHOD OF MEASUREMENT

110-4.1

ADD:

The quantity of GRS conduit to be paid for shall be the number of lineal feet installed, measured in place, completed, and accepted.

The quantity of concrete encased duct and split duct to be paid for shall be the number of lineal feet installed, measured in place, completed, and accepted.

The quantity of drilling, installing a conduit coupling for connection to the existing cans and concrete encased 3" conduit for RGL's shall not be measured for payment, it shall be incidental to its respective pay item.

BASIS OF PAYMENT

110-5.1

DELETE: This section.

ADD:

Payment will be made at the contract unit price per lineal foot of GRS conduit, concrete encased duct and split duct, completed and accepted. This price shall be full compensation for furnishing all materials, preparation, assembly, and installation of these materials, and for all labor, equipment, tools and incidentals necessary to complete this item.

Trenching and backfilling shall also be included in the installation of the duct and shall not be paid for separately.

If, upon delivery and incorporation of any materials, the Contractor has failed to provide the necessary submittals as required by Sections 30-18, 40-01, 40-03 and 40-11 of the Standard and Special Provisions, the pay item shall not be included on the Construction Progress Payment report until such submittals have been furnished.

Payment will be made under:

ITEM AR110212	2" STEEL DUCT, DIRECT BURY – PER LINEAL FOOT.
ITEM AT110212	2" STEEL DUCT, DIRECT BURY – PER LINEAL FOOT.
ITEM AU110212	2" STEEL DUCT, DIRECT BURY – PER LINEAL FOOT.
ITEM AR110550	SPLIT DUCT – PER LINEAL FOOT.
ITEM AT110550	SPLIT DUCT – PER LINEAL FOOT.
ITEM AU110552	EXTEND 2-WAY DUCT – PER LINEAL FOOT.

ITEM 125 - INSTALLATION OF AIRPORT LIGHTING SYSTEMS

DESCRIPTION

125-1.1

ADD: Airfield lighting improvements shall include:

- Installation of new medium intensity base mounted LED taxiway edge lights.
- Installation of new taxi guidance LED signs.
- Base Mounted Light Removal. All salvageable light fixtures / parts removed shall be delivered to the Owner.
- Taxi Guidance Sign Removal. All salvageable parts removed shall be delivered to the Owner.
- Replace existing light fixtures with new medium intensity taxiway edge LED lights fixture and install ground rods.

EQUIPMENT AND MATERIALS

125-2.1 GENERAL

ADD:

All new equipment shall be listed in Advisory Circular 150/5345-1 (Latest Edition) - Approved Airport Lighting Equipment.

All new lights and signs shall include all items necessary to construct a complete unit including, concrete bases, light cans, ground rods, ground wire, conduit, connectors, fixtures, and transformers.

The Contractor shall ascertain that all lighting system components furnished by him (including FAA approved equipment) are compatible in all respects with each other and remainder of the new/existing system. Any non-compatible components furnished by the Contractor shall be replaced by him at no additional cost with a similar unit, approved by the Engineer (different model or different manufacturer) that is compatible with the remainder of the airport lighting system.

125-2.3 CONCRETE

DELETE: This section.

ADD:

All structural concrete shall meet the requirements of Item 610.

125-2.7 LIGHT CANS

Light cans for the new concrete base mounted lights shall be L-867 Class I, Size B in conformance with FAA Advisory Circular AC 150/5345-42 (latest revision) with 3/4" blank cover plates.

125-2.9 LIGHT LENS

Lenses for new taxiway light lenses shall be blue.

125-2.8 ISOLATION TRANSFORMERS

New transformers for LED taxiway lights shall be 20/55W or as recommended by the manufacturer for LED lights with heaters. Existing transformers for lights to be replaced with new LED lights shall also be replaced with new 20/25W isolation transformers.

125-2.10 TAXIWAY LIGHTS

The L-861T LED fixtures shall conform to the requirements of FAA Advisory Circular 150/5345-46B "Specification for Runway and Taxiway Light Fixtures" and "FAA Engineering Brief No. 67 "Light Sources other than Incandescent and Xenon for Airport Lighting and Obstruction Lighting Fixtures." The L-861T LED fixture shall be ETL certified. The L-861T LED fixtures shall be the "ETES" fixture as manufactured by Siemens Airfield Solutions or approved equal.

The LED light fixture shall be supplied with a thermostatically controlled heating element suitable for northern climate. The fixture electronics shall be mounted inside the LED chamber to provide optimum protection from water and ice in the base can. No active electronic LED elements are allowed in the base can. The fixture shall use robust, solid-state internal devices that withstand damage if the fixture is knocked over. To insure long-reliability, the heater shall be mounted in the fixture column.

125-2.12 OTHER ELECTRICAL EQUIPMENT

Junction boxes, transformers, circuit breakers, and all other regularly used commercial items of electrical equipment not covered by FAA equipment specifications shall conform to the applicable rulings and standards of the Institute of Electrical and Electronic Engineers or the National Electrical Manufacturers Association. When specified, test reports from a testing laboratory indicating that the equipment meets the specifications shall be supplied. In all cases, equipment shall be new and in good condition. This equipment shall be supplied in the quantities required for the specific project and shall incorporate the electrical and mechanical characteristics specified in the proposed plans.

125-2.13 SPLICE CANS

Splice cans for airfield lighting circuits shall be L-867 Class I, Size B.

125-2.14 AIRFIELD SIGNS

The LED L-858 Airfield Guidance Signs shall conform to the requirements of FAA Advisory Circular 150/5345-44 (latest revision) "Specification for Runway and Taxiway Signs" and FAA LED "Engineering Brief No. 67" (current edition). The signs shall be ETL certified. The LED L-858 signs shall be as manufactured by Siemens Airfield Solutions or approved equal.

CONSTRUCTION METHODS

125-3.1 GENERAL

ADD:

New edge lights shall conform to the details and dimensions shown in the plans.

The Contractor shall exercise caution in the installation of all light units. Any units damaged by the Contractor's operations shall be repaired or replaced to the satisfaction of the Engineer at no additional cost to the contract.

125-3.2 REPLACEMENT OF EXISTING LIGHTS

The Contractor shall remove existing taxiway edge lighting fixture, including isolation transformer, base plate, and mounting hardware and replace with new L861T LED light fixture with new isolation transformer, base plate, mounting hardware and safety ground as shown on the plans and as recommended by L861 T LED light manufacturer.

METHOD OF MEASUREMENT

125-4.1

DELETE: Entire section.

ADD:

The quantities to be paid for under this item shall consist of the number of LED edge lights and LED airfield guidance signs installed in place as complete units, ready for operation and accepted by the Engineer.

The quantities to be paid for under this item shall consist of the number of edge lights, elevated RGL and airfield guidance signs removed as complete units and accepted by the engineer. The quantities for elevated RGL removal shall be paid under pay item AR/AT 125902 REMOVE BASE MOUNTED LIGHT.

The quantities to be paid for under this item shall consist of the number of existing base mounted taxiway edge light fixtures replaced with new LED taxiway edge light fixtures, base plates, isolation transformers, L-823 splices, ground rods and ground wires installed in place as complete units, ready for operation and accepted by the Engineer. The cost of removing the existing light fixtures, base plates and isolation transformers shall be incidental to this item.

BASIS OF PAYMENT

125-5.1

Payment will be made at the contract unit price for each complete item furnished and installed in place by the Contractor and accepted by the Engineer. This price shall be full compensation for furnishing all materials and for all preparation, removals, modifications, relocation, assembly, and installation of these materials, and for all labor, equipment, tools, and incidentals necessary to complete this item.

Payment for topsoiling and seeding for the lighting and signage installations shall not be paid for separately but shall be considered incidental to the associated items shown below.

Payment for the installation of ground rods, ground lugs and ground wires at each new light, replaced light and new sign shall not be paid for separately but shall be considered incidental to the associated items shown below.

Payment will be made under:

- ITEM AR125415 - MITL, BASE MOUNTED - PER EACH.**
- ITEM AT125415 - MITL, BASE MOUNTED - PER EACH.**
- ITEM AR125441 - TAXI GUIDANCE SIGN, 1 CHARACTER - PER EACH.**
- ITEM AR125442 - TAXI GUIDANCE SIGN, 2 CHARACTER - PER EACH.**
- ITEM AT125442 - TAXI GUIDANCE SIGN, 2 CHARACTER - PER EACH.**
- ITEM AR125445 - TAXI GUIDANCE SIGN, 5 CHARACTER - PER EACH.**
- ITEM AT125445 - TAXI GUIDANCE SIGN, 5 CHARACTER - PER EACH.**
- ITEM AR125446 - TAXI GUIDANCE SIGN, 6 CHARACTER - PER EACH.**
- ITEM AR125448 - TAXI GUIDANCE SIGN, 8 CHARACTER - PER EACH.**
- ITEM AR125902 - REMOVE BASE MOUNTED LIGHT - PER EACH.**
- ITEM AT125902 - REMOVE BASE MOUNTED LIGHT - PER EACH.**
- ITEM AR125904 - REMOVE TAXI GUIDANCE SIGN - PER EACH.**
- ITEM AT125904 - REMOVE TAXI GUIDANCE SIGN - PER EACH.**
- ITEM AR125922 - REPLACE BASE MOUNTED LIGHT - PER EACH.**
- ITEM AT125922 - REPLACE BASE MOUNTED LIGHT - PER EACH.**

DIVISION VIII - MISCELLANEOUS

ITEM 150520 – MOBILIZATION

DESCRIPTION

150-1.1

This work shall include all activities and associated costs related to transportation of contractor's personnel, equipment, and operating supplies to the site; establishment of offices, buildings, and other necessary general facilities for the contractor's operations at the site; premiums paid for performance and payment bonds including coinsurance and reinsurance agreements as applicable.

This work includes mobilization required by the contract at the time of notice to proceed. If additional mobilization activities and costs are required during the performance of the contract as a result of added items of work, such costs shall be included in the unit price for the item or items of work added. This does not apply to any approved "time and materials work."

This work also includes all efforts related to restoration of the project site, staging area and haul road as directed in the bidding documents at the conclusion of the job. This activity includes, but is not limited to, incidental grading, seeding and clean-up, as required to restore the project site to original condition.

METHOD OF MEASUREMENT

150-2.1

This item shall consist of the mobilization of the contractor's forces and equipment necessary for performing the work required under the contract. It does not include mobilization for specific items of work for which payment is provided elsewhere in the contract.

Transportation of any materials incorporated into the permanent works shall not be considered a mobilization item.

All roads, parking lots, fences, structures, etc., shall be protected from damage by equipment during the contract period.

Access shall be as shown on the drawings. Alternate access routes must be approved by the Engineer prior to use. All access routes shall be restored by the contractor to a condition equal to or better than the condition prior to the commencement of work under this contract.

BASIS OF PAYMENT

150-3.1

This work shall be paid for at the lump sum price for MOBILIZATION. The amount which a Contractor will receive payment for, according to the following schedule, will be limited to six percent of the original contract amount. Should the bid for mobilization exceed six percent, the amount over six percent will not be paid until 90 percent of the adjusted contract value is earned.

- (a) Upon issuance of the first project pay estimate, 50 percent of the pay item will be paid.
- (b) When ten percent of the original contract amount is earned, an additional 10 percent of the pay item will be paid.

- (c) The remaining 40 percent of the pay item will be paid along with any amount bid in excess of six percent of the original contract amount upon final acceptance of the project by the engineer. Final acceptance includes satisfactory completion of all punch list items in accordance with written instruction from the engineer as well as acceptance of all final documentation.

Nothing herein shall be construed to limit or preclude partial payment for other items as provided for by the contract.

Payment will be made under:

ITEM AR150520 MOBILIZATION PER LUMP SUM

ITEM 150540 – HAUL ROUTE

DESCRIPTION

150-1.1

Work under this item shall include the construction of and maintenance of the haul road on airport property throughout the construction project. Work may include the placement and grading of crushed aggregate or other material approved by the engineer as necessary or bituminous pavement repair as required by the engineer. The location of the haul route is shown on the plans. Any dust control watering required by the engineer of the haul road shall also be part of this item.

CONSTRUCTION METHODS

150-2.1

The existing roadway identified as the proposed haul route onto airport property is shown to be removed in the construction plans. Once grading of the proposed haul road is complete, the Contractor will be required to place and grade crushed aggregate or repair bituminous pavement as necessary to repair ruts and damage caused by the construction operations. At the completion of the project, the Contractor shall leave the road in good condition to the satisfaction of the engineer.

BASIS OF PAYMENT

150-3.1

The haul route will include all costs associated with constructing and maintaining the haul route in accordance with the construction drawings and these special provisions. Payment shall be made at the contract lump sum price, which price and payment shall constitute full compensation for all associated material, labor, equipment, tools and incidentals necessary to complete this item.

Payment will be made under:

ITEM AR150540	HAUL ROUTE	PER LUMP SUM
----------------------	-------------------	---------------------

ITEM 156540 – RIPRAP

CHECK SHEET # 10

MATERIALS

156540-2.1 RIPRAP

DELETE: The second sentence and REPLACE with:

The Riprap gradation shall be RR3.

156540-2.2 FILTER FABRIC

DELETE: The entire section and REPLACE with:

The filter fabric material shall consist of nonwoven filaments formed from a plastic yarn of a long-chain synthetic polymer composed of at least 85 percent by weight of polyolefins, or polyesters, and shall contain stabilizers and/or inhibitors added to the base plastic to make the filaments resistant to deterioration due to ultraviolet and heat exposure. After forming, the fabric shall be processed so that the filaments retain their relative positions with respect to each other. The fabric shall be free of defects or flaws which significantly affect its physical and/or filtering properties.

The filter fabric shall be formed in widths of not less than 6 feet (2 m). Sheets of fabric may be sewn together with thread of a material meeting the chemical requirements given for the plastic yarn to form fabric widths as required. The sheets of filter fabric shall be sewn together at the point of manufacturer or another approved location.

The texture of the fabric shall be such that the bedding and riprap will remain in an equilibrium state and not slip or slide. The filter fabric shall be rot proof, mildew proof, insect resistant, have a high dimensional stability when set, have good soil filtration characteristics, have a high resistance to tear propagation in all directions, and meet the following minimum conditions and ASTM Tests for the gradation of riprap specified:

Weight of Fabric (oz/sq yd), ASTM D 3776 (Mod.)	4.0
Burst Strength (psi), ASTM D 3786 (Note 1)	250
Trapezoidal Tear Strength (lbs), ASTM D 5733 (Note 2)	60
Grab Tensile Strength (lbs), ASTM D 4632 (Note 2)	160
Grab Tensile Elongation (%), ASTM D 4632 (Note 2)	12

Note 1. Manufacturer's certification of fabric to meet requirements.

Note 2. Test sample shall be tested wet.

The vendor shall furnish certified test reports with each shipment of material attesting that the fabric meets the above requirements.

Fabric shall be delivered to the jobsite in such a manner as to facilitate handling and incorporation into the work without damage. In no case shall the fabric be stored or exposed to direct sunlight that might significantly diminish its strength or toughness.

CONSTRUCTION METHODS

156540-3.1

ADD:

Material shall be spread uniformly on the filter fabric in a satisfactory manner, to the neat lines specified. Placing of material by methods, which will tend to segregate particle sized within the Riprap will not be permitted. Any damage to the surface of the filter fabric during placement of the Riprap shall be repaired before proceeding with the work. Compaction of the foundation layer will not be required, but it shall be finished to present a reasonably even surface free from mounds, windrows or depressions.

Stone shall be placed on the fabric layer in such a manner as to produce a reasonably well graded mass of rock with the minimum practicable percentage of voids providing maximum interlocking of stones and shall be constructed to the lines and grades shown.

METHOD OF MEASUREMENT

156540-4.1

ADD:

Payment for furnishing and installing geotechnical fabric shall not be paid for separately, but shall be considered incidental to Riprap.

BASIS OF PAYMENT

156540-5.1

ADD:

If, upon delivery and incorporation of any materials, the Contractor has failed to provide the necessary submittals as required by Sections 30-18, 40-01, 40-03 and 40-11 of the Standard and Special Provisions, the pay item shall not be included on the Construction Progress Payment report until such submittals have been furnished.

Payment will be made under:

ITEM AS156540 RIPRAP PER SQUARE YARD

ITEM AR800816 - RGL SYSTEM

DESCRIPTION

800816-1.1

This item shall include the furnishing and installation of RGL system in accordance with this specification, the referenced specifications, the applicable Federal Aviation Administration (FAA) Advisory Circular and the details shown on the Drawings. This item shall include the installation of elevated runway guard lights (RGL) at the locations shown on the Drawings. Included shall be the installation of new LED RGL and isolation transformers, ground rods, ground wire, associated control devices, and all incidentals necessary to provide a complete installation to an operating condition, including testing, to the satisfaction of the Resident Engineer.

SUBMITTALS

800816-2.1 GENERAL.

Before any electrical materials are ordered, the Contractor shall furnish the Resident Engineer a list of the materials and equipment to be incorporated in the work. This list shall include the name of each item, the Federal Aviation Administration specification number, the manufacturer's name, the manufacturer's catalog number, and the size, type and/or rating of each item, catalog cuts, test data, fuse curves, outline drawings, nameplate drawings, wiring diagrams, and schematic diagrams.

After the list has been approved by the Resident Engineer and prior to installation, the Contractor shall assemble the equipment and materials at a single location, on-site, and request inspection by the Resident Engineer. None of the equipment or materials, other than duct or conduit, may be used on the job until such an inspection has been completed.

In the case that more than one manufacturer is proposed for a single item, the Resident Engineer will select the specific item he feels best fulfills the requirements of the specification, and it shall be the responsibility of the Contractor to furnish that item and none other.

All test results shall be submitted to the Resident Engineer for review and approval.

800816-2.2 APPROVAL.

Airport lighting equipment and materials covered by FAA specifications shall have prior approval of the Federal Aviation Administration, Airport Service, Washington, DC 20591, and shall be listed in the current edition of FAA Advisory Circular 150/5345-53, Airport Lighting Equipment Certification Program. Alternatively, items shall be certified by ETL as conforming to applicable FAA specifications, as approved by the Resident Engineer. All other equipment and materials covered by other referenced specifications shall be subject to acceptance through manufacturer's certification of compliance with the applicable specification, when required by the Resident Engineer.

The following documents, of the issue in effect on the date of application for qualification, are applicable to the extent specified:

<u>Item</u>	<u>Specification</u>	<u>Advisory Circular</u>
Runway Guard Light, Elevated	L-804	AC 150/5345-46
Transformer, Isolation	L-830	AC 150/5345-47
Light base, load bearing	L-868	AC 150/5345-42
Light base, non-load bearing	L-867	AC 150/5345-42

All FAA Advisory Circular referenced in this specification refer to the most recent edition in circulation.

800816-2.3 LIGHT BASE AND LIGHT INSTALLATION AND ALIGNMENT TOOL

The tolerance requirements for location, elevation and orientation of all light fixtures is of critical importance and must be maintained. In order to do so the light base and lights shall be installed using an installation and alignment tool. This tool shall be capable of achieving the final alignment specified and shall be of sufficient strength to support the light base during placement and compaction of concreted around the base. The Contractor shall submit to the Resident Engineer the proposed installation and alignment tool for approval. Upon approval, the Contractor shall procure a sufficient number of these tools to use in the installation process. No light base or light fixture shall be installed without using an approved installation and alignment tool.

MATERIALS

800816-3.1 ELEVATED RUNWAY GUARD LIGHTS (RGL).

The L-804 fixtures shall conform to the requirements of FAA Advisory Circular 150/5345-46 (current edition) "Specification for Runway and Taxiway Light Fixtures" and FAA LED "Engineering Brief No. 67" (current edition). The L-804 LED shall be ETL certified. The L-804 fixtures shall be as manufactured by Siemens Airfield Solutions or approved equal.

The RGL shall be Type L-804, yellow, class 2, 6.6 amperes constant current fixture, with lamp by-pass and L-823 type connectors, and shall be provided with instruction manual. These lights shall be provided complete with compatible type transformers meeting the requirements of AC 150/5345-47 Type L-830 with the appropriate wattage consistent with the type of lamps provided. Each fixture shall be numbered with weatherproof plastic-type labels in accordance with the numbering shown on the drawings or approved by the Resident Engineer.

The LED L-804 shall have two possible operating modes: Mimic Incandescent On/Off Curve and Instant On/Off. It shall be possible to field modify the operating mode. The Mimic Incandescent On/Off Curve mode shall mimic the slower rise and fall of conventional incandescent or halogen L-804s. The Instant On/Off mode shall allow the LEDs to instantly turn On and Off, which provides for increased conspicuity. It shall be possible to program the operational mode in the field. To allow maximum control of perceived light output, an L-804 LED used in the Instant On/Off mode shall be on a dedicated circuit.

800816-3.2 TRANSFORMERS.

Transformers for LED RGL shall meet the requirements of AC 150/5345-47 Specification for Isolation Transformers for Airport Lighting Systems, Type L-830 (60 Hz). Primary and secondary amperes for LED RGL shall be 6.6/6.6 amperes. The wattage of the transformer for the LED RGL shall be 100W or as recommended by the manufacturer.

Each transformer shall be clearly marked indicating its wattage so as to not be confused during installation. Transformers shall have L-823 type connectors.

800816-3.3 LIGHT BASE TRANSFORMER HOUSING AND JUNCTION BOX.

Light Base Transformer Housings and Junction Boxes shall meet the requirements of AC 150/5345-42, Specification for Airport Light Base and Transformer Housings, Junction Boxes, and Accessories. Type L-867, Class I, Size B, shall be used for elevated RGL located in areas not subject to aircraft loading (shoulder pavements or non-paved areas). Type L-867 bases, Class I, Size D shall be used for junction boxes in areas not subject to aircraft loading, as shown on the Drawings. Each base shall be supplied with conduit hubs.

800816-3.4 BLANK COVER PLATES.

Blank base cover plates for light bases/transformer housings shall be A-36 galvanized steel checker-plate ½-inch thick in areas not subject to aircraft loading, and ¾-inch thick in areas subject to aircraft loads. Diameter and bolt pattern shall be compatible with the light base/transformer housing to be covered.

CONSTRUCTION METHODS

800816-4.1 PHASING AND INTERRUPTIONS.

All existing electrical equipment and lighting systems not included in the phase of work being performed must be kept in operation, unless prior approval of the Resident Engineer has been received and as otherwise specified below and on the Drawings.

The Contractor may use salvaged materials for temporary construction where required. The permission for temporary work and using salvaged materials shall be obtained from the Resident Engineer.

Refer to the special provisions of the specifications for notification requirements and other information regarding work interruptions due to airport operational requirements or Contractor anticipation for exceeding the limitations described in the above paragraph.

800816-4.2 RGL LIGHT BASE AND TRANSFORMER HOUSING INSTALLATION.

All light bases shall be installed using an approved installation and alignment tool. Light bases shall be properly oriented and leveled at the proper elevation and shall be held securely in place so that during the placement of concrete the base does not become misaligned. See Section 125-4.2.2 and the Drawings for tolerance information. All concrete shall be thoroughly consolidated around the base using mechanical vibrating equipment.

800816-4.3 RGL LIGHT FIXTURE INSTALLATION.

The light fixtures shall be installed in accordance with the requirements and tolerances specified in AC 150/5345-46, as recommended by the manufacturer, and as specified on the Drawings and herein. See Drawings for installation tolerances.

800816-4.4 RGL CABLE AND CONDUIT INSTALLATION.

Where home run cable for dedicated RGL circuit(s) are collocated with other airfield lighting circuits in duct bank, it is preferable that a spare duct be used. Any place where new RGL cable must share a duct with other lighting circuit cables, new cable for the existing circuits shall be pulled together with the new RGL cable for those particular duct segments. Any outage of existing lighting circuits shall be carefully coordinated with the Resident Engineer.

800816-4.5 REMOVALS.

Removals of existing elevated RGL's and base cans shall be as specified and paid under pay item AR/AT 125902 REMOVE BASE MOUNTED LIGHT.

800816-4.6 SAFETY GROUND INSTALLATION.

The Contractor shall install ground rod, ground lug and ground wire cadwelded to ground rod at each RGL base can as shown on the plans.

INSPECTION, TEST, AND WARRANTY

800816-5.1 VISUAL EXAMINATION.

The most important of all inspection and test procedures is thorough visual inspections. Visual inspections shall be made frequently during installation, at completion of installation, and before energizing the circuits. A careful visual inspection can reveal defects that can be corrected prior to acceptance tests and energization. Serious damage may occur if defects are subjected to electrical tests or energization. Visual inspections shall include:

- a. Verify proper location, marking and height of fixtures, and that installation is in accordance with manufacturer's instructions and contract design documents.
- b. Check for proper anchorage, physical damage, dirt and debris both interior and exterior to the RGL. Verify that nuts, bolts, washers, gaskets, etc., have been installed and tightened in accordance with the manufacturer's instructions.
- c. Verify correct wattage of isolation transformer and lamps. Tighten all electrical connections. Check for proper size and installation of L-823 connectors, and for grounding wires and connections.
- d. Verify by operational test that RGL aiming is acceptable for anticipated taxi operations.
- e. Check for any safety hazards.
- f. Verify specific requirements listed herein for individual items. While all equipment manufactured under specifications pass strict factory tests prior to shipment, it shall be inspected for shipping damage immediately upon receipt.

800816-5.2 CABLE CONNECTOR AND ISOLATING TRANSFORMER INSPECTION.

Transformers shall be supplied with factory installed molded connectors for the primary and secondary cable leads. During installation, these items shall be inspected to determine the following:

- a. The mating surfaces of molded connectors should be clean and dry. Factory installed caps shall remain in place until connectors are to be plugged together. Contractor shall tape the connectors to hold them in place and moisture/debris from entering the splice.
- b. The connectors are completely plugged together. After initial plugging, trapped air pressure may partially disengage the plug and receptacle. If this happens, wait a few seconds and push them together again. Apply two or three turns of tape to hold them in place.
- c. The cables must not be cut by shovels, kinked, crushed by vehicle wheels, bruised by rocks, or damaged in any way during handling and installation.
- d. The cables and conduit must be buried to the specified depth below finished grade and all other detailed requirements of the installation specification must be accomplished.
- e. All cables shall be placed in conduit and must be separated by the specified distance.
- f. For temporary direct buried cables, screened material must be placed under and over the cables, and rocks or pebbles must not contact the cables.
- g. The cables must not be bent sharply where they enter (or leave) a conduit, and must be supported properly by tamped ground so future settling cannot cause sharp bends.

800816-5.3 ELECTRICAL TESTS ON CABLE.

Cables installed in duct shall be tested before and after installation in duct. Each underground circuit shall be subjected to the following tests. See L-108 for specific electrical tests on cable.

800816-5.4 ELECTRICAL TESTS OF REGULATORS.

The supply voltage and input and output current shall be checked at the regulator to see that they operate properly and that regulators are not overloaded due to shorts to ground or excessive leakage.

- a. With load disconnected, energize the regulator once, and watch the open-circuit protector to see that it de-energizes the regulator within 2 or 3 seconds.

800816-5.5 LIGHTING FIXTURES.

An inspection shall be made to determine that the color, quantity, and locations of light are in accordance with the installation drawings. Each light shall be inspected to determine that it is operable, glass is not broken or cracked, correct lamps are installed, and it has been properly leveled and aimed, in accordance with technical orders and manufacturer's instructions, where applicable.

800816-5.6 RGL OPERATIONAL TEST.

Perform operational tests on the RGL, by operating lights on each brightness step for not less than one minute, to verify proper pulsing and pulse duration, intensity control, vertical adjustment, remote control, and any other required operational feature. If monitoring is provided, verify that proper status/alarm indications are obtained in the control tower. All RGL fixtures, regulators and control equipment shall be compatible.

800816-5.7 MISCELLANEOUS COMPONENTS.

Other components not listed above but relating to the system shall be checked for compliance with the installation drawings.

800816-5.8 FINAL ACCEPTANCE TESTS.

After components and circuits have been inspected, as specified in the preceding paragraphs, the entire system shall be inspected as follows:

- a. Operate each switch for the new and modified lighting circuits from the remote control position (ATCT) so that each switch position is reached at least twice. During this process, all lights and vault equipment shall be observed to determine that each switch properly controls the corresponding circuit.
- b. Repeat the above test using the local control switches on the regulators.
- c. Each lighting circuit shall be tested by operating it continuously at maximum brightness for at least 6 hours. Visual inspection shall be made at the beginning and end of this test to determine that the correct number of lights are operating at full brightness. Dimming of some or all of the lights in a circuit is an indication of grounded cables.
- d. In addition to the above, all equipment shall be subjected to any and all performance tests specified in the manufacturer's instructions.

800816-5.9 GUARANTEE.

All equipment furnished and work performed under the Contract Documents shall be guaranteed against defects in materials or workmanship for a period of one (1) year from the date of final acceptance. This guarantee does not replace any responsibility for errors or omissions as set forth in state law. Any long-term warranties issued or offered by manufacturers for items of equipment shall be turned over to the Airports Authorities.

800816-5.10

Any failure of equipment or work due to defects in materials or workmanship shall be corrected by the Contractor at no cost to the owner.

800816-5.11

The Contractor shall ascertain that all lighting system components furnished by him (including FAA approved equipment) are compatible in all respects with each other and the remainder of the new/existing system. Any incompatible components furnished by this Contractor shall be replaced by him at no additional cost to the Airport with a similar unit approved by the Resident Engineer (different model or manufacturer) that is compatible with the remainder of the airport lighting system.

800816-5.12

In case the Contractor selects to furnish airport lighting equipment requiring additional wiring, transformers, adapter mountings, etc. to those shown on the drawings and/or listed in the specifications, any cost for those items shall be incidental to the equipment cost. All substitutions shall be approved by the Resident Engineer.

800816-5.13

The Contractor installed equipment (including FAA approved) shall not generate any electromagnetic interference in the existing and/or new communications, weather and air traffic control equipment. Any equipment generating such interference shall be replaced by the Contractor at no additional cost with equipment meeting applicable specifications and not generating any interference.

METHOD OF MEASUREMENT

800816-6.1

The quantity to be paid for under this item shall be the materials installed separately or in combination as specified, and shall be measured per each completed unit in place, tested and accepted by the Resident Engineer, and ready for operation.

The quantity for base can, L-823 connectors, isolation transformer, ground rod, ground wire and 3" concrete encased duct to the edge of the pavement shall **not** be measured separately but shall be considered incidental to this pay item.

The quantity for the removals of existing elevated RGL's shall be measured separately and paid under the pay item AR/AT 125902 REMOVE BASE MOUNTED LIGHT.

BASIS OF PAYMENT

800816-7.1 GENERAL

Payment will be made at the contract unit price for each completed and accepted installation. This price shall be full compensation for furnishing all materials including elevated LED RGL light fixture, transformer, light base, ground rod, ground wire, concrete, epoxy encasement, concrete encased 3" conduit, testing and other materials as specified below and as required by the Drawings and these specifications, for all preparation, assembly, and installation of these materials, for all removals associated with the installation, and for all labor, equipment, tools and incidentals necessary to complete each installation specified below.

Payment will be made under:

ITEM AR800816	L-804 RGL ELEVATED, BASE MOUNTED	PER EACH.
ITEM AT800816	L-804 RGL ELEVATED, BASE MOUNTED	PER EACH.

FEDERAL SPECIFICATIONS REFERENCED IN ITEM L-125

<u>Number</u>	<u>Title</u>
WW-C-581	Conduit, Metal, Rigid; and Coupling, Elbow and Nipple Electrical Conduit: Zinc-Coated

FAA SPECIFICATIONS REFERENCED IN ITEM L-125

<u>Number</u>	<u>Title</u>
AC 150/5345-42	Specification for Airport Light Base and Transformer Housings, Junction Boxes and Accessories
AC 150/5345-46	Specification for Runway and Taxiway Light Fixtures
AC 150/5345-47	Isolation Transformers for Airport Lighting Equipment
AC 150/5345-53	Airport Lighting Equipment Certification Program (current edition)

ITEM AR800817 – AGGREGATE DRAINAGE DITCH

DESCRIPTION

800817-1.1

The Work to be accomplished under this Section consists of furnishing all labor, materials, equipment, and services necessary for the construction of an aggregate drainage ditch as shown in the plans. Included, but not limited to, is the installation of soil stabilization fabric, 6" perforated underdrain w/ sock, crushed aggregate base course and porous granular embankment.

MATERIALS

800817-2.1

The soil stabilization fabric shall conform to item AR152540. 6" perforated underdrain with sock shall conform to Section 705 of the Supplemental Specifications. Crushed aggregate base course shall conform to item 209. Porous Granular Embankment shall conform to Item 208.

CONSTRUCTION METHODS

800817-3.1

The soil stabilization fabric shall be installed in accordance with item AR152540. 6" perforated underdrain with sock shall be installed in accordance with Section 705 of the Supplemental Specifications. Crushed aggregate base course shall be installed in accordance with Item 209. Porous Granular Embankment shall be installed in accordance with Item 208.

METHOD OF MEASUREMENT

800817-4.1

Aggregate Drainage Ditch shall be measured in linear feet on the basis of the length of ditch constructed to the satisfaction of the Engineer.

BASIS OF PAYMENT

800817-5.1

If, upon delivery and incorporation of any materials, the Contractor has failed to provide the necessary submittals as required by Sections 30-18, 40-01, 40-03 and 40-11 of the Standard and Special Provisions, the pay item shall not be included on the Construction Progress Payment report until such submittals have been furnished.

Payment will be made at the contract unit price per linear foot for aggregate drainage ditch. This price shall be full compensation for furnishing all materials and for placing the materials, and for all labor, equipment, tools, and incidentals necessary to complete this item.

Payment will be made under:

ITEM AR800817 AGGREGATE DRAINAGE DITCH – PER LINEAR FOOT.

ITEM AR800863 – ADJUST MONITORING WELL

DESCRIPTION

800863-1.1

The Work to be accomplished under this Section consists of furnishing all labor, materials, equipment, and services necessary for the vertical adjustment of existing groundwater monitoring wells as shown in the plans. Included, but not limited to, are excavation, removal and offsite disposal of existing cover and concrete encasement, and installation of riser pipe extension, new cover and concrete encasement.

The contractor is responsible for notifying Corey Pagels of Leggette, Brashears & Graham, Inc. (LBG) at (608) 310-7671 at least one week in advance of beginning work on this item. LBG must remove the existing pump and hose in the wells before adjustment can be completed.

MATERIALS

800863-2.1

The riser pipe extension shall consist of 2" inner diameter Schedule 40 PVC pipe connected to the existing pipe with a PVC coupling. The contractor shall verify the diameter of the existing pipe and required pipe extension length before ordering materials. No PVC glue shall be used in the connection.

The new cover shall be 9" diameter and shall be model #418XA as manufactured by Morrison Bros. or approved equal. The cover shall have a 12" skirt depth.

Concrete shall conform to item 610.

CONSTRUCTION METHODS

800863-3.1

The contractor shall excavate around the existing monitoring well to be adjusted to locate the bottom of the existing cover and concrete encasement. The connection of the existing pipe to the proposed pipe extension shall be encased in concrete to provide a watertight seal.

6" minimum concrete is required around all sides of the proposed cover.

METHOD OF MEASUREMENT

800863-4.1

Adjust Monitoring Well shall be measured per each on the basis of the number of wells adjusted to the grades shown in the plans.

BASIS OF PAYMENT

800863-5.1

If, upon delivery and incorporation of any materials, the Contractor has failed to provide the necessary submittals as required by Sections 30-18, 40-01, 40-03 and 40-11 of the Standard and Special Provisions, the pay item shall not included on the Construction Progress Payment report until such submittals have been furnished.

Payment will be made at the contract unit price per each for monitoring well adjustment. This price shall be full compensation for furnishing all materials and for placing the materials, and for all labor, equipment, tools, and incidentals necessary to complete this item.

Payment will be made under:

ITEM AR800863 ADJUST MONITORING WELL – PER EACH.

ITEM AR800868 – SOIL GUARD

DESCRIPTION

800868-1.1

This item consists of the application of a bonded fiber matrix to provide erosion control as shown on the plans or as directed by the Engineer.

MATERIALS

800868-2.1

The erosion materials used shall be Weyerhaeuser SOIL GUARD, or approved equal. When considering equals, it shall be the IDA Materials Engineer's sole authority to determine equals. Substitute non-conforming materials with credit will not be considered.

CONSTRUCTION METHODS

800868-3.1

All erosion materials shall be placed in accordance with the manufacturer's recommendations. Applicators shall be certified by the manufacturer. Proof of written certification shall be provided to the Resident Engineer prior to installation.

800868-4.1

Soil Guard application shall be measured in square yards on the basis of the actual surface area acceptably mulched.

BASIS OF PAYMENT

800868-5.1

If, upon delivery and incorporation of any materials, the Contractor has failed to provide the necessary submittals as required by Sections 30-18, 40-01, 40-03 and 40-11 of the Standard and Special Provisions, the pay item shall not be included on the Construction Progress Payment report until such submittals have been furnished.

Payment will be made at the contract unit price per square yard for soil guard mulching. This price shall be full compensation for furnishing all materials and for placing the materials, and for all labor, equipment, tools, and incidentals necessary to complete this item.

Payment will be made under:

ITEM AR800868 SOIL GUARD - PER SQUARE YARD.
ITEM AS800868 SOIL GUARD - PER SQUARE YARD.
ITEM AT800868 SOIL GUARD - PER SQUARE YARD.
ITEM AU800868 SOIL GUARD - PER SQUARE YARD.

ITEM AR910400 - GUARD RAIL

DESCRIPTION

910-1.1

Guard Rail shall consist of furnishing and erecting steel beam guardrail and posts that conform to IDOT Standard 630001-05, Type A. Guard Rail shall have traffic barrier terminals at the beginning of the guardrail per IDOT Standard 631011-02 and end sections at the end of all guardrails. Guard Rail shall have bidirectional silver/silver reflectors.

MATERIALS

910-2.1

Guardrail shall meet the requirements of Article 630.02 Standard Specifications for Road and Bridge Construction. Traffic Barrier Terminals shall meet the requirements of Article 631.02 of the Standard Specifications for Road and Bridge Construction. Reflectors shall meet the requirements of Article 1097 of the Standard Specifications for Road and Bridge Construction.

CONSTRUCTION METHODS

910-3.1

Guardrail shall be constructed according to 630.03 through 630.05 of the Standard Specifications for Road and Bridge Construction. Traffic Barrier Terminals shall be constructed according to 630.03 thru 630.05 of the Standard Specifications for Road and Bridge Construction. Reflectors and terminal markers shall be installed in accordance with IDOT Standard 635011-01 and spaced every 20'.

METHOD OF MEASUREMENT

910-4.1

Guard Rail will be measured for payment in feet. The length measured will be the overall length of the guardrail measured along the top edge of the rail elements to the limits shown on the plans. Traffic barrier terminals, end sections and reflectors shall not be measured for payment but shall be included in the unit price for Guard Rail.

BASIS OF PAYMENT

910-5.1

Payment for Guard Rail shall be made at the contract unit price per linear foot. This price shall include full compensation for traffic barrier terminals, end sections and reflectors. This price shall include furnishing all labor, tools, materials, equipment and incidentals necessary to complete this item of work.

Payment will be made under:

ITEM AR910400 GUARD RAIL – PER LINEAL FOOT.

IDA POLICY MEMORANDUMS

**State of Illinois
Department of Transportation
Bureau of Materials and Physical Research**

POLICY MEMORANDUM

January 1, 2007

Springfield

07-21

TO: REGIONAL ENGINEERS, HIGHWAY BUREAU CHIEFS, AND
MANUFACTURERS AND SUPPLIERS OF FINELY DIVIDED MINERALS

SUBJECT: ACCEPTANCE PROCEDURE FOR FINELY DIVIDED MINERALS USED
IN PORTLAND CEMENT CONCRETE AND OTHER APPLICATIONS

DEFINITIONS

Department - Illinois Department of Transportation.

Bureau - Bureau of Materials and Physical Research, at 126 East Ash Street, Springfield, Illinois 62704-4766.

Finely Divided Mineral - A finely divided material which has cementitious or pozzolanic properties. Examples are fly ash, microsilica (silica fume), ground granulated blast-furnace (GGBF) slag, and high-reactivity metakaolin (HRM).

Manufacturer - A company that manufactures a finely divided mineral. The term Producer is also used.

Supplier - A company that supplies a finely divided mineral which it does not manufacture.

Source - The name and location of the manufacturing process from which the finely divided mineral is obtained.

Approved Source - A source that is approved by the Bureau to ship a finely divided mineral for immediate use on Department projects.

Unapproved Source - A source that ships a finely divided mineral which must be sampled, tested, and approved by the Bureau before it is used on Department projects.

Cement - Portland cement.

Fly Ash - A finely divided residue that results from the combustion of ground or powdered coal, transported from the combustion chamber by exhaust gas, collected by mechanical or electrical means, and stored in stockpiles or bins.

Microsilica - An amorphous silica of high silica content and purity possessing high pozzolanic activity.

Ground Granulated Blast-Furnace (GGBF) Slag - A glassy granular material, formed when molten blast-furnace slag is rapidly chilled, and then finely ground.

High-Reactivity Metakaolin (HRM) - A reactive aluminosilicate pozzolan formed by calcining purified kaolinite at a specific temperature range.

Reference Material - A portland cement used for the control mortar and corresponding test mortars, of a finely divided mineral, to determine its strength activity index.

Preliminary (PRE) Sample - A sample used to determine, in advance, if the finely divided mineral will comply with Department specifications.

Process Control (PRO) Sample - A sample used for the purpose of controlling production of finely divided minerals proposed for incorporation into Department projects.

Acceptance (ACC) Sample - A sample used for accepting/rejecting finely divided minerals prior to its use on Department projects and/or unassigned stock for future use on projects. The quantity represented by acceptance samples must be given.

Independent Assurance (IND) Sample - A sample used to provide an independent check on the reliability of the manufacturer's quality control program.

Investigation (INV) Sample - A destination sample used to verify the acceptability of a finely divided mineral from a source.

Grab Sample - A sample secured from a conveyor, from bulk storage, or from a bulk shipment in one operation.

Composite Sample - Combined grab samples taken at prescribed intervals over a period of time.

NIST - National Institute of Standards and Technology.

CCRL - Cement and Concrete Reference Laboratory.

ISO 9000 Series - A program of international quality management system standards developed by the International Organization for Standardization (ISO).

1.0 PURPOSE

To establish procedures whereby materials of mineral origin, furnished by a **Manufacturer** or **Supplier**, will be accepted for use on **Department** projects.

2.0 SCOPE

This procedure is available to all **Manufacturers** or **Suppliers** of domestic and foreign **Finely Divided Minerals**. **Sources** in North America may be **Approved** or **Unapproved**. **Sources** located outside of North American will not be given **Approved Source** status, and the procedures in Sections 5.1 and 5.3 shall apply.

3.0 SPECIFICATION REQUIREMENTS, SAMPLING, AND TEST PROCEDURES

- 3.1 **Finely Divided Minerals** used on **Department** projects shall meet the material requirements of the **Department's** "Standard Specifications for Road and Bridge Construction (January 1, 2007)" and current special provisions.

4.0 APPROVED SOURCE PROCEDURE

- 4.1 A **Manufacturer** or **Supplier** requesting **Source** approval of a **Finely Divided Mineral** shall provide the following to the **Bureau**:

- (1) The **Manufacturer's** or **Supplier's** name and location.
- (2) The **Source** name, location (station), and number of generating units.
- (3) The name of the **Finely Divided Mineral** and its class or grade.
- (4) A certification that the **Finely Divided Mineral** meets the applicable requirements of Section 3.0.
- (5) A 6-month testing history.
- (6) A copy of the **Manufacturer's** or **Supplier's** quality control program.
- (7) A copy of the last **CCRL** inspection report of the testing laboratory used by the **Manufacturer** or **Supplier** of the **Finely Divided Mineral**, with documentation of resolution of any discrepancies noted therein. The **Manufacturer** or **Supplier** of **HRM** or **Microsilica** shall provide a copy of the testing laboratory's **CCRL** inspection report and/or an **ISO 9000 Series** certificate.
- (8) A copy of the Material Safety Data Sheet (MSDS) for the **Finely Divided Mineral**.

At the time of application, the **Manufacturer** or **Supplier** shall obtain a **Preliminary (PRE) Grab Sample** of the **Finely Divided Mineral** from current production. The **Manufacturer** or **Supplier** shall split the **PRE Sample** and place one portion in an airtight container and deliver it to the **Bureau**. A sample of the **Reference Material** used by the **Manufacturer** or **Supplier** for testing shall be included. The **Manufacturer** or **Supplier** shall assume the cost to deliver the samples to the **Bureau**. The size of the **Bureau's** portion of the **PRE Sample**, and the **Reference Material**, shall not be less than 3 kg (6 lb.) each and the samples shall be properly identified as required in Attachment 1. The **Manufacturer** or **Supplier** shall test the retained portion of the **PRE Sample** for the standard physical and chemical properties listed in the applicable specification in Section 3.0 and deliver a copy of the test results to the **Bureau** for comparison.

The **Bureau** will test its portion of the **PRE Grab Sample** for conformance to Section 3.0. The **Bureau** will compare the results obtained by both laboratories to determine compliance with the allowable difference between two laboratories set forth in the precision statement of each test method. Additional split sample testing will be required if the test results obtained on the **PRE Grab Sample** do not comply with the specification requirements of this policy memorandum.

An inspector from the **Bureau** may conduct a scheduled visit to inspect the laboratory facilities designated by the **Manufacturer** or **Supplier** to test the **Finely Divided Mineral**; the **Source** manufacturing process, the **Source** storage facilities; and the quality control policies, procedures, and practices used by the **Manufacturer** or **Supplier**. The **Manufacturer** or **Supplier** shall be responsible for payment of transportation, per diem (meals), lodging, and incidental travel costs incurred by the **Department**.

The **Bureau** will notify the **Manufacturer** or **Supplier**, in writing, if the request for **Approved Source** status is granted or denied. A request may be denied if the **Manufacturer** or **Supplier** fails to meet the requirements of this policy memorandum, or for other reasons determined by the **Department**.

4.2 Quality Control Requirements for **Approved Sources**:

The **Manufacturer** or **Supplier** shall establish and maintain quality control policies and procedures for sampling and testing that are approved by the **Bureau**. The **Bureau** shall be notified of any changes in the **Manufacturer's** or **Supplier's** quality control program.

Testing laboratories used by the **Manufacturers** or **Suppliers** of **Fly Ash** or **GGBF Slag** shall participate in the **CCRL** pozzolan program of the **NIST**, which includes inspection of facilities and testing of comparative samples. As an alternative to the **CCRL** pozzolan program of the **NIST**, **Manufacturers** or **Suppliers** of **GGBF Slag** may participate in the **CCRL** cement program. Testing laboratories used by the **Manufacturers** or **Suppliers** of **Microsilica** or **HRM** shall participate in the **CCRL** pozzolan program of the **NIST** and/or shall have implemented a quality management system based on the **ISO 9000 Series** standards.

4.3 Reporting Requirements for **Approved Sources**:

The **Manufacturer** or **Supplier** shall deliver a test report to the **Bureau** which lists the results of all **Grab** and/or **Composite Samples** taken and tested for the specified reporting period.

For **Fly Ash**, the report shall be monthly, and shall be delivered no later than forty calendar days after the end of the month. If the **Fly Ash Source** is sampling more frequently than once per month according to ASTM C 311, then the report shall be delivered no later than forty calendar days after the end of the composite date. If the deadline falls on a Saturday, Sunday, or State Holiday, the deadline shall be the next work day.

For **GGBF Slag**, **HRM**, and **Microsilica**, the report shall be quarterly and shall be delivered no later than forty calendar days after the end of each quarter. For the purpose of the reports, the quarters shall end March 30, June 30, September 30, and December 31. If the deadline falls on a Saturday, Sunday, or State Holiday, the deadline shall be the next work day.

Sampling, testing, and reporting shall be done according to the applicable specification in Section 3.0.

4.4 Record Requirements for **Approved Sources**:

Records of production control tests shall be maintained by the **Manufacturer** or **Supplier** for a minimum period of 5 years, and shall be made available to the **Bureau** upon request.

Copies of bills of lading of quantities of **Finely Divided Minerals** shipped shall be maintained by the **Manufacturer** or **Supplier** for a minimum period of 3 years, and shall be made available to the **Bureau** upon request.

4.5 Sampling and Test Requirements for **Approved Sources**:

For **Fly Ash**, each February, May, August, and November, the **Supplier** shall obtain a **Process Control (PRO) Grab Sample**.

For **GGBF Slag, HRM, and Microsilica**, each January, April, July, and October, the **Manufacturer** or **Supplier** shall obtain a **PRO Grab Sample**.

The **PRO Grab Sample** shall be split for testing by the **Manufacturer** or **Supplier** and the **Bureau**. At this time, a sample of the current **Reference Material** used by the **Manufacturer** or **Supplier** for testing shall also be split.

The **Bureau** may require that more frequent **PRO Grab Samples** be obtained and tested. Increasing the sampling frequency may be required due to significant changes in the material or process, variations in test results between the **Bureau** and **Manufacturer** or **Supplier**, field test results, or other reasons as determined by the **Bureau**. The **Bureau** samples shall be placed in airtight containers, properly identified on form BMPR CM01 (www.dot.il.gov/materials/materialforms.html), and delivered to the **Bureau** no later than the last work day of the month. Each **Finely Divided Mineral** sample and **Reference Material** sample shall not be less than 3 kg (6 lb).

The **Manufacturer** or **Supplier** shall test the retained portion of each **PRO Sample**, using the retained portion of the **Reference Material**, for the standard physical and chemical properties listed in the applicable specification in Section 3.0. When all tests are completed, the **Manufacturer** or **Supplier** shall record the test results on a report form that identifies the sample as a **PRO Sample**, and deliver the report to the **Bureau** no later than the last work day of the following month from the date of sample.

The test results obtained by the **Manufacturer** or **Supplier** and the **Bureau** on all split samples will be compared for compliance with the allowable differences for two laboratories set forth in the precision statement of each test method and for compliance with Section 3.0. If significant differences exist in the split sample test results, the **Department** will investigate sampling and test procedures, or require additional comparative sampling to determine the cause of the variation.

4.6 **Department** Inspections of **Approved Sources**:

An inspector from the **Bureau** may conduct unscheduled visits, at **Department** expense, to each **Approved Source** or one of its terminals. During this visit, the inspector will either take or witness the taking of a random **Independent Assurance (IND) Grab Sample**. The inspector will split the sample and deliver an equal portion to the **Manufacturer** or **Supplier**. The **Manufacturer** or **Supplier** shall test the retained portion of the split sample for the standard physical and chemical properties

listed in the applicable specification and deliver the test results to the **Bureau**, as specified in Section 4.5, for comparison and compliance with Section 3.0.

Random **Investigation (INV) Samples** of the **Finely Divided Minerals** and the project **Cement** will be obtained at final destination by a representative of the **Department**. The representative will either take or witness the taking of the **INV**

Samples. **INV Samples** will be **Grab Samples** and shall not be less than 3 kg (6 lb). (Note: **Cement** samples will be taken according to ASTM C 183). The

sampling location and frequency for obtaining **INV Samples** will be determined by the **Bureau** in consultation with the district offices.

The **Bureau** will test **INV Samples** to ascertain the results of **Finely Divided Mineral-project Cement** combinations. To verify that **Finely Divided Minerals** shipped from **Approved Sources** meet the requirements of Section 3.0, the **Bureau** will test **INV Samples** with the appropriate **Reference Material**.

4.7 Revocation of **Approved Source** Status:

Failure of a **Manufacturer** or **Supplier** to meet the requirements of Sections 3.0 and 4.0 of this policy memorandum will be sufficient cause to revoke **Approved Source** status. However, a total of three late submittals in a twelve month period for any of the following: test report (**Grab** or **Composite Samples**), **PRO Sample**, or **PRO** test results will be permitted. Revocation will occur if a fourth late submittal occurs in a twelve month period. The **Manufacturer** will be notified in writing when the third late submittal in a twelve month period occurs.

Failure to resolve significant differences in testing, as indicated by the test results obtained on **PRO** or **IND Samples** split with the **Manufacturer** or **Supplier** will be sufficient cause to revoke **Approved Source** status.

Failure of the testing laboratory, used by the **Manufacturer** or **Supplier** of a **Finely Divided Mineral**, to satisfactorily resolve the discrepancies noted in the **CCRL** inspection report and/or to maintain a quality management system based on the **ISO 9000 Series** will be sufficient cause to revoke **Approved Source** status.

Revocation of **Approved Source** status will be reported to the **Manufacturer** or **Supplier** in writing. The **Manufacturer** or **Supplier** may not re-apply for **Approved Source** status until 30 days have elapsed from the date of the written notice of revocation.

5.0 UNAPPROVED SOURCE PROCEDURE

5.1 A **Manufacturer** or **Supplier** requesting approval of a **Finely Divided Mineral** from an **Unapproved Source** shall provide the following to the **Bureau**:

- (1) The **Manufacturer's** or **Supplier's** name and location.
- (2) The **Source** name, location (station), and number of generating units.
- (3) The name of the **Finely Divided Mineral** and its class or grade.

- (4) A current test report, in English, which indicates the standard physical and chemical composition of the **Finely Divided Mineral** as per Section 3.0.
- (5) The transportation method and location at which an inspector from the **Bureau** will be able to obtain **Acceptance (ACC) Samples**.
- (6) If requested by the **Bureau**, the **Manufacturer** or **Supplier** shall deliver to the **Bureau** a 24-hr **Composite Preliminary (PRE) Sample** of the **Finely Divided Mineral** from current shipments. The **Manufacturer** or **Supplier** shall assume the cost to deliver it to the **Bureau**. The size of the **PRE Sample** shall not be less than 3 kg (6 lb) and the sample shall be properly identified as required in Attachment 1.

5.2 Sampling and Test Requirements for **Unapproved Sources** in North America:

- (1) **Finely Divided Minerals** from an **Unapproved Source** will be sampled, tested, and approved by the **Bureau** before use on **Department** projects. The **Bureau** has the option to affix a seal to secure **Finely Divided Minerals** in storage (e.g. silo, truck, railroad car, or barge) until the **Bureau's** testing is completed.
- (2) Upon arrival of the **Finely Divided Mineral** to Illinois, an inspector from the **Bureau** will obtain **Acceptance (ACC) Grab Samples** according to the applicable specifications. The **Bureau** will determine the number of representative samples required.
- (3) The **Manufacturer** or **Supplier** may request the **Bureau** to sample the **Finely Divided Mineral** prior to arrival in Illinois. In the event the request is approved, the **Manufacturer** or **Supplier** shall be responsible for payment of transportation, per diem (meals), lodging, and incidental travel costs incurred by the **Department** inspector. If the **Department** determines that it lacks the resources to accomplish out-of-state inspection, the **Finely Divided Mineral** may be sampled and tested according to the procedures in Section 5.3.
- (4) **Acceptance (ACC) Samples** will be tested by the **Bureau** for conformance to Section 3.0, and to approve the **Finely Divided Mineral** for use on **Department** projects.
- (5) **Random Investigation (INV) Samples** of **Finely Divided Minerals** may be obtained at final destination by a representative of the **Department**. The representative will either take or witness the taking of the **INV Samples**. **INV Samples** will be **Grab Samples** and will be taken according to the applicable specification. The sampling location and frequency for obtaining **INV Samples** will be determined by the **Bureau** in consultation with the district offices. The **Bureau** will use **INV Samples** to verify that the **Finely Divided Mineral** shipped meets the requirements of Section 3.0.

5.3 Sampling and Test Requirements for **Unapproved Sources** Located Outside North America:

An agent of the importer shall obtain an **Independent Assurance (IND) Grab Sample** from each barge of foreign **Finely Divided Mineral** loaded at the port of entry and destined for Illinois.

The agent shall split each barge **Grab Sample** and mail one portion to the **Bureau**. The other portion shall be mailed to the importer's testing laboratory that is approved by the **Department**. The importer of the **Finely Divided Mineral** shall be responsible for all sampling and mailing costs.

The importer's laboratory shall test its portion of each barge **Grab Sample** for the standard physical requirements of the applicable specifications. One random barge **Grab Sample**, representing the **Finely Divided Mineral** in each hold of the vessel shall be tested for chemical composition.

Upon completion of the tests, the importer shall deliver to the **Bureau** a certification that states the **Finely Divided Mineral** in the vessel unloaded at the port of entry has been tested by the importer, and complies with the applicable specifications. Attached to the certification shall be a test report of all barge samples. The report shall include the name of the vessel, the source of the **Finely Divided Mineral**, the barge number, the hold number, the date the sample was taken, the quantity of **Finely Divided Mineral** in the barge, and the physical and chemical test results obtained on the samples.

The importer shall immediately notify the **Bureau** if a barge sample fails to meet the applicable specification requirements.

The **Bureau** will review the certification and compare the importer's test data to the test data obtained by the **Bureau** on its portion of each split sample.

When the certification and the accompanying test report are examined and determined to be correct, the **Bureau** will notify the importer and the district offices that the **Finely Divided Mineral** is approved for state projects.

Random Investigation (INV) Samples, from one or more barges, may be taken by a **Department** inspector when the barges arrive at the Illinois terminal(s).

The **Department** will reject any foreign **Finely Divided Mineral** tested by the **Bureau**, or the importer, that does not meet the specification requirements. The **Department** may reject any barge of **Finely Divided Mineral** wherein the differences in test values, obtained by the **Department** and the importer on the split sample, exceeds the multilaboratory precision of the test method, but the **Finely Divided Mineral** is within specifications.

Alternative proposals to the sampling and test requirements stated in this section will be considered for **Finely Divided Minerals** which have an acceptable quality history, and which have previously been approved by the **Department**. Requests shall be directed to the **Bureau of Materials and Physical Research** for approval.

6.0 ACCEPTANCE OF FINELY DIVIDED MINERALS

- 6.1 **Finely Divided Minerals** will be accepted according to the **Department's** current "Standard Specifications for Road and Bridge Construction," current special provisions, and this policy memorandum.
- 6.2 The **Bureau** will maintain and circulate a current list of **Approved Sources** of **Finely Divided Minerals** which meet the requirements of this policy memorandum. This list will include the name, location, and Producer/Supplier Number of each approved **Manufacturer** or **Supplier** of **Finely Divided Minerals**. These **Manufacturers** or **Suppliers** may ship **Finely Divided Minerals** for immediate use on **Department** projects.
- 6.3 **Finely Divided Minerals** from **Unapproved Sources** will be approved by the **Bureau** before use on **Department** projects.

7.0 REJECTION OF FINELY DIVIDED MINERALS

- 7.1 A **Finely Divided Mineral** that fails to conform to the requirements of Section 3.0 of this policy memorandum shall be rejected for use on **Department** projects.
- 7.2 The **Bureau** will notify the **Manufacturer** or **Supplier** when a **Finely Divided Mineral** is rejected for use on **Department** projects.



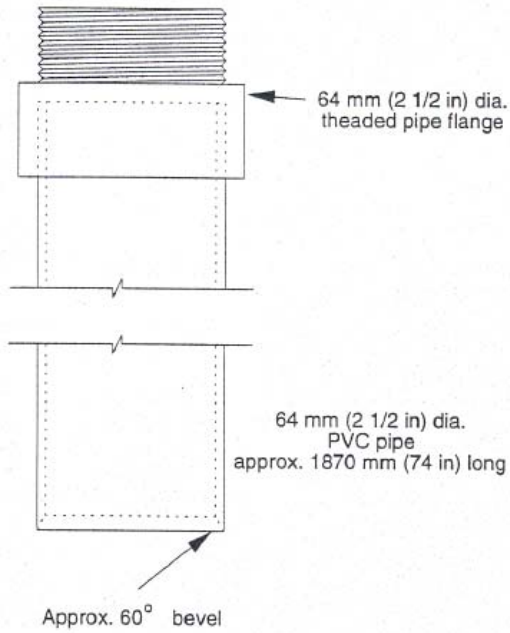
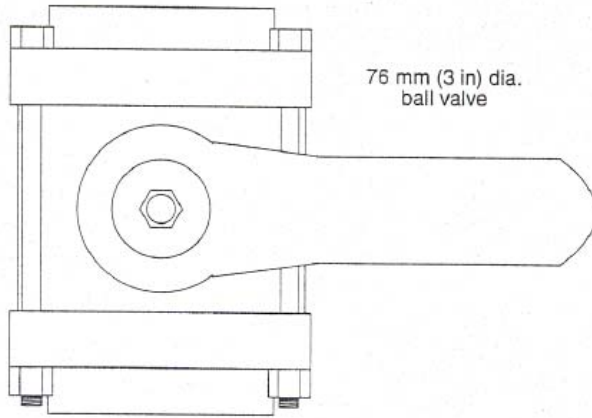
David L. Lippert, P.E.
Acting Engineer of Materials
and Physical Research

Attachment

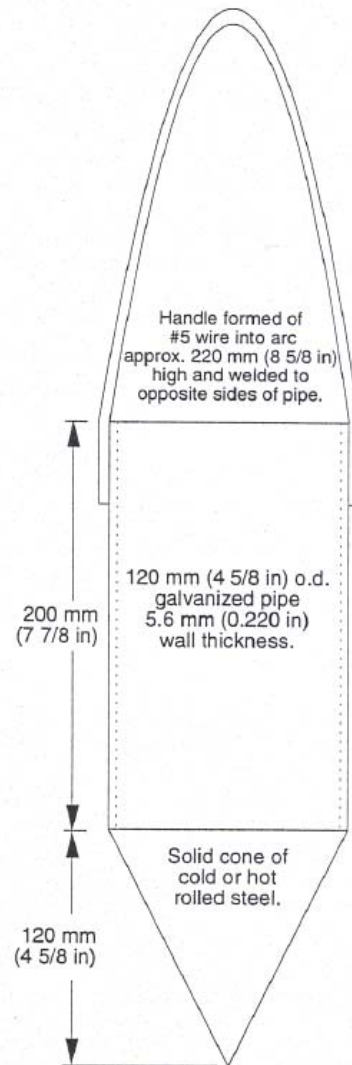
This policy memorandum supersedes Policy Memorandum 06-03 dated January 1, 2006.
--

DAD/dt

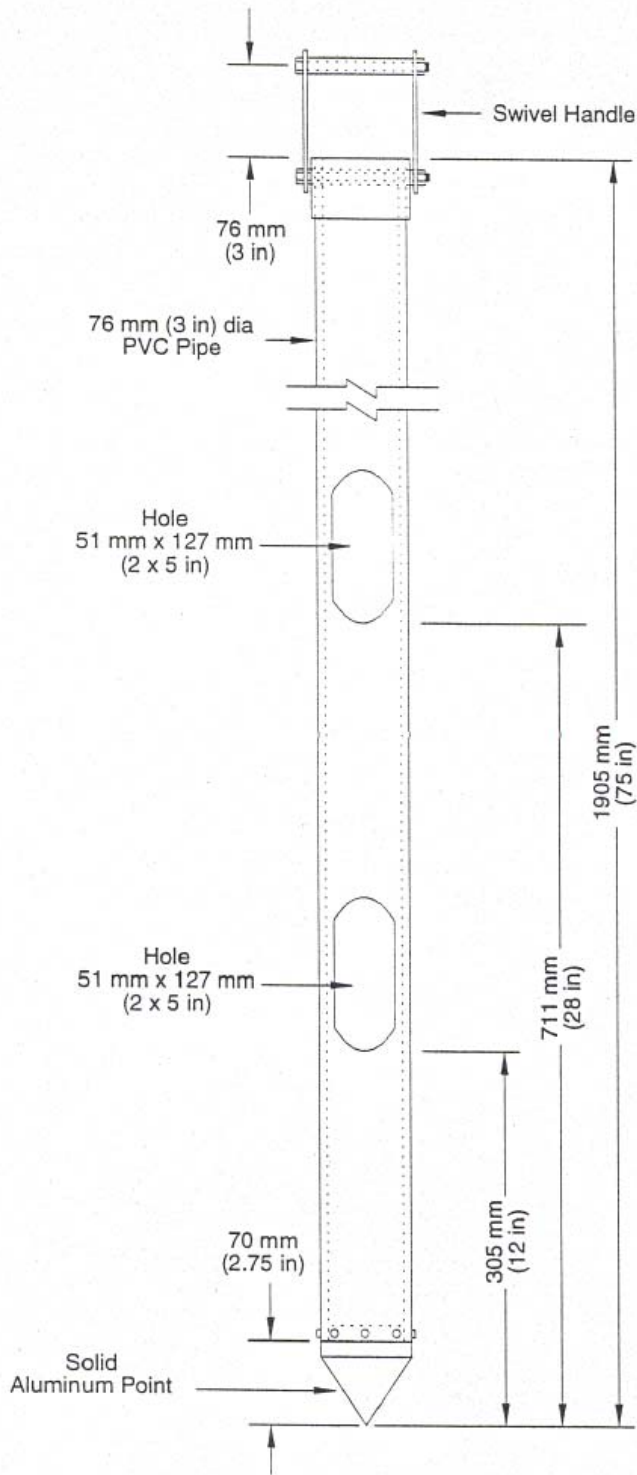
Vacuum Type Bulk Cement Sampler



Drop Type Bulk Cement Sampler



Note:
Total mass weight of sampler not less than 6 kg (13 lb)



Tube Type Bulk Cement Sampler

State of Illinois
Department of Transportation
Division of Aeronautics

POLICY MEMORANDUM

January 1, 2004

Springfield

Number: 87-2

TO: CONSULTING ENGINEERS

SUBJECT: DENSITY ACCEPTANCE OF BITUMINOUS PAVEMENTS

1. Introduction

This Policy Memorandum deals with the implementation of the Bituminous Density Quality Assurance specifications as a revision to the Standard Specification for Construction of Airports, January 1985. These revisions are to Item 201 Bituminous Base Course, and Item 401 Bituminous Surface Course.

II. Sampling

After completion of compaction and the pavement has reached ambient temperature, the paved area shall be divided into Sublots of 500 tons per type of mix. One core sample (2 cores per sample) shall be taken from each Sublot. The longitudinal and transverse location for each sample shall be determined by use of a random number "Deck" provided by the Division. No core shall be taken closer than two (2) feet from the edge of the mat. A core extraction device as illustrated by the attachment is recommended. All cores are to be taken by the contractor under the supervision and remain in the possession of the engineer. It is imperative that the Engineer and the contractor realize that the cores are "Money" and that improper coring, extraction, shipping and/or testing can be costly.

One mix sample per 1000 tons of mix laid shall be taken for Extraction, Maximum Specific Gravity (G_{mm}) and Air Void tests. The mix samples shall be sampled by the contractor and split in half.

The Resident Engineer shall randomly designate and send the split samples to an independent laboratory for testing. The laboratory will be designated by the Division of Aeronautics. The frequency of testing split samples shall be 1 per 5000 tons. Higher frequencies may be necessary if the contractor's tests, and/or mix quality control are inconsistent.

III. Testing

All cores shall be tested for Bulk Specific Gravity (G_{sb}) in accordance with ASTM D2726 using Procedure 9.1, "For Specimens That Contain Moisture". The Theoretical Maximum Gravity (G_{mm}) shall be determined according to ASTM D2041, Procedure 7. From these tests the in-place air voids of the compacted pavement are calculated according to ASTM D3203 for "dense bituminous paving mixtures". Selection of the proper G_{mm} shall be based on a running average of four (4) tests per Lot.

- Eg. Lot 1 - Use the average of the two (2) tests for Lot 1.
Lot 2 - Use the average of the four (4) tests from Lots 1 and 2.
Lot 3 - Use the average of the four (4) tests from Lots 2 and 3.

NOTE: When more than four (4) Sublots are used, still use a running average of four (4) tests per Lot.

IV. Acceptance Calculations

The first step in calculating the quantities for pay is to calculate the Mean (\bar{x}) and the Standard Deviation (S) of the Sublot tests. From this data the Lot samples should first be tested for outliers. After consideration for outliers, the Percent Within Tolerance (PWT) and the Percent Within Limits (PWL) are calculated to determine the final pay quantities for the Lot.

EXAMPLE

1. Test Data

Lot Quantity = 2000 tons
Sublot Test 1 = 4.35 % Air
Sublot Test 2 = 3.96 % Air
Sublot Test 3 = 6.75 % Air
Sublot Test 4 = 6.25 % Air

2. Calculating the Mean and Standard Deviation

Sublot	\underline{x}	$(\underline{x} - \bar{x})$	$(\underline{x} - \bar{x})^2$
1	4.35	- 0.978	0.956
2	3.96	- 1.368	1.871
3	6.75	1.422	2.022
4	<u>6.25</u>	0.922	<u>0.850</u>
Sum =	21.31		5.699

$$N = 4$$

$$\text{Mean}(\bar{x}) = 5.328$$

$$\text{Variance } (S)^2 = \frac{\text{Sum}(\bar{x} - \bar{x})^2}{3} = \frac{5.699}{3} = 1.900$$

$$\text{Standard Deviation } S = \sqrt{1.900} = 1.378$$

3. Test For Outliers

Check for Critical "T" Values

$$T = \frac{|(x_1 - \bar{x})|}{S} = \frac{|3.96 - 5.328|}{1.378} = 0.99$$

* Difference between the suspect test value (x_1) and the Mean (\bar{x}).

If the T value exceeds the critical "T" Value in the table below and no assignable cause can be determined for the outlier, discard the suspected test measurement and obtain another random sample from the Lot in question. If the new test exceeds the Mean (\bar{x}) in the same direction from the Mean as the suspected test, recalculate the T value including all tests (original test, suspected test, and new test) for an outlier and for computing final payment.

TABLE OF CRITICAL "T" VALUES

Number of observations (N)	Critical "T" Value <u>5% Significance Level</u>
3	1.15
4	1.46
5	1.67
6	1.82
7	1.94
8	2.03
9	2.11
10	2.18
11	2.23
12	2.29

Based on the above table, the "T" value of 0.99 does not exceed the Critical "T" Value of 1.46 for N = 4. Therefore, the value (3.96) is not an outlier and shall be used in calculating the Lot payment.

4. Calculation of Lot Payment

To calculate the Lot Payment use the Acceptance Criteria as outlined under Item 201-4.13(c) or Item 401-4.13(c).

$$Q_L = \frac{(\bar{x} - 1)}{S} = \frac{5.328 - 1}{1.378} = 3.141$$

$$Q_u = \frac{(7 - \bar{X})}{S} = \frac{7-5.328}{1.378} = 1.213$$

From this data the Percentage Within Tolerance (PWT) for both the lower and upper tolerance limits is determined by Table 8 of the specifications for the number (N) of samples tested.

$$\begin{aligned} \text{Eq. PWT (lower)} &= 99.0\% \\ \text{PWT (upper)} &= 90.4\% \end{aligned}$$

We now calculate the Percent Within Limits (PWL) for the Lot.

$$\begin{aligned} \text{PWL} &= [\text{PWT (lower)}] + [\text{PWT (upper)}] - 100 \\ \text{PWL} &= (99.0 + 90.4) - 100 = 89.4\% \end{aligned}$$

Using Table 7, the % Adjustment in Lot Quantity is:

$$\begin{aligned} \% \text{ Adjustment} &= 0.5 \text{ PWL} + 55.0 \\ \% \text{ Adjustment} &= 0.5 (89.4) + 55.0 \\ \% \text{ Adjustment} &= 99.7 \end{aligned}$$

$$\begin{aligned} \text{Adjusted Quantities} &= \% \text{ Adjustment} \times \text{Lot Quantities} \\ \text{Adjusted Quantities} &= .997 \times 2000 \text{ tons} \\ \text{Adjusted Quantities} &= 1994 \text{ tons} \end{aligned}$$

5. Resampling and Retesting

Under the specifications the contractor has the right to request the resampling and retesting of a complete Lot. This privilege is only allowed once for each Lot and must be requested in writing by the contractor within 48 hours of receiving the official report from the Engineer.

6. Reporting

After completion of the tests for each Lot, the Engineer shall complete the necessary calculations for final adjustment in quantities on the Form AER M-1 and have both the Engineer and the Contractor sign the report for copying to both the FAA and IDOA.

Steven J. Long, P.E.
Acting Chief Engineer

Supersedes Policy Memorandum 87-2, dated January 1, 1999.

State of Illinois
Department of Transportation
Division of Aeronautics

POLICY MEMORANDUM

July 31, 2004

Springfield

Number: **87-3**

TO: CONSULTING ENGINEERS

SUBJECT: MIX DESIGN, TEST BATCH, QUALITY CONTROL, AND ACCEPTANCE
TESTING OF PCC PAVEMENT MIXTURE

I. SCOPE

This Policy Memorandum addresses the Mix Design, Test Batch, Quality Control and Acceptance Testing of PCC pavement mixtures specified by Item 501, Portland Cement Concrete Pavement, in accordance with the Standard Specifications for Construction of Airports, effective January 1985, Special Provisions, and policies of the Division of Aeronautics.

II. MIX DESIGN

Prior to the start of paving operations and after approval by the Division of Aeronautics (IDOA) of all materials to be used in the manufacture of the concrete, the contractor shall provide a preliminary mix design(s) for evaluation at the Test Batch. The mix design shall indicate saturated surface dry batch weights per cubic yard for each material component. In addition, each material component, including chemical admixtures, shall be identified by the IDOT material code number, the IDOT producer code number, and the producer name and location. Saturated surface dry and oven dry specific gravities, as well as absorption values, for each proposed aggregate to be used in the mix shall be indicated on the mix design. When requested in writing by the contractor, the Engineer will recommend a preliminary mix design for evaluation at the Test Batch.

The Mix Design and the contractor's approved Job Mix Formula (JMF) will be issued by our office subject to verification of the mix by strength tests obtained from mix prepared from a Test Batch(es) according to the approved JMF. The water-cementitious ratio established from the approved test batch is the maximum water-cementitious ratio allowed during production paving. Whether the contractor selects his own mix design or chooses to use the mix design recommended by the Division, the contractor is responsible for the mix design, as well as the manufacture and placement of the mix.

III. TEST BATCH

At least 28 days prior to the start of production, the contractor and/or producer shall prepare a Test Batch under the direction of the Engineer. The Test Batch shall be prepared at the concrete plant proposed for use in the production of the concrete mix for the project and shall be in accordance with the approved Job Mix Formula (JMF). When approved by the Engineer, the Test Batch may be prepared at a different plant provided that the same materials specified in the JMF are used. The plant shall have been

surveyed and approved by the Engineer prior to preparation of the Test Batch. As required by these Special Provisions, the contractor shall provide Quality Control for production of the concrete. The contractor shall have his Quality Control Manager and a representative of the contractor familiar with the paving operation, present at the Test Batch preparation. The Test Batch shall be prepared as follows:

A. Proportioning

Prior to preparation of the mix, the Proportioning Technician shall perform a minimum of two (2) gradation analysis and two (2) moisture tests on each aggregate used. The gradation analysis shall be reported on form AER M-12, Side 1. From this data, the JMF shall be adjusted for moisture, in accordance with form AER M-12, Side 2. A microwave type moisture probe (or equal) may be allowed to adjust proportions for sand moisture when approved by the Engineer.

B. Preparation of the Mix:

- 1.) Prepare a Test Batch that is at least one-half (1/2) the manufacturer's rated capacity of the mixing drum (in cubic yards). The Test Batch shall be prepared with the approved JMF, adjusted for moisture.
- 2.) Mixing requirements shall be:
 - a.) Central Mix Plant: Mixing time shall be a minimum of 90 seconds. If transit mixer trucks are used to transport the mix, the mix shall be agitated, after mixing, at 2-5 RPM for the approximate time anticipated between batching at the plant and deposit of the concrete in the forms. If non-mixing trucks are used to transport the mix, the mix shall remain in the central mixer with no mixing or agitation for the approximate time anticipated from when the water contacts the cement and deposit of the concrete in the forms.
 - b.) Transit Mix Plant: Mixing shall consist of 70-100 Revolutions @ 5-16 RPM. After initial mixing, agitate mix at 2-5 RPM for the approximate time anticipated between batching at the plant and deposit of the concrete in the forms.
- 3.) Slump and Air: If the air content after aging is $6.0\% \pm 1.5\%$ and provides the required workability for paving, the contractor will make cylinders for testing at 3, 7, 14 and 28 days. If the slump is below that required for placement, the contractor may add additional water to increase the slump as necessary up to the maximum water/cement ratio (or water/cementitious material) ratio listed herein. Additional mixing of at least 40 Revolutions will be required with each addition of water. Cylinders and/or beams will be made for testing at 3, 7, 14 and 28 days when the slump is obtained, at $6.0\% \pm 1.5\%$ air content. The water/cement ratio (or water/cementitious material) ratio cannot exceed 0.44 based on actual batch weights when 501-3.6(A) proportions is specified, and 0.42 when 501-3.6(B) proportions is specified.
- 4.) The Proportioning Technician shall complete Form AER M-7, Plastic Concrete Air, Slump and Quantity and Form AER M-6, Concrete Moisture Determination

(Adjusted Oven Dry Method), to be given to the Resident Engineer after completion of the Test Batch. The Flask Method, Dunagan Method, and Pycnometer Jar Method are also acceptable test methods for the determination of aggregate moisture.

- 5.) The Resident Engineer and contractor shall complete Form AER M-4, Concrete Plant Production, Mix Verification.
- 6.) The concrete test cylinders and/or beams shall be tested at 3, 7, 14 and 28 days to establish a growth curve of concrete strength vs. age. The compressive strength shall be at least 800 psi, over the specified strength, at 28 days. Flexural strength concrete shall have at least 100 psi over the specified strength at 28 days.

IV. QUALITY CONTROL

Quality control testing is the responsibility of the contractor and must be performed by qualified testing personnel approved by the Engineer. The proportioning technician shall be PCC Level II certified by the testing firm must perform his or her duties on a full time basis whenever concrete is produced for an IDOA project.

The proportioning technician shall perform the duties as outlined in the Division of Highways latest Manual of Instructions for Concrete Proportioning and Testing and as outlined as follows. These duties as outlined are not necessarily all inclusive and may include other duties as required by the specifications, special provisions, etc.

If a QC or QA test for slump, air content, or mix temperature fails to meet the requirements of the specifications the contractor shall reject the batch. In the case of a failing test of the air content, the contractor may make adjustments to the concrete to bring the air content into compliance with the specification. Adjustments are subject to the time limitations of 1 hour from time of batching when the concrete is transported in mixer trucks. Time limitations shall be increased by 30 minutes when the concrete mixture contains a retarding admixture. When concrete has been rejected due to failing test results, the contractor shall continue to run tests for the failed test parameter until at least 3 consecutive passing tests are achieved. This testing is in addition to the normal QC and QA testing.

A. Duties of the Proportioning Technician:

- 1.) Check and maintain shipment tickets of each material used in the manufacture of the concrete. These tickets are to be given to the Resident Engineer for each day's production of concrete. The aggregates shall indicate the quality on the ticket and a statement that the coarse aggregate is a non "D" cracking (freeze-thaw rated by IDOT) aggregate. In lieu of having these statements on each ticket, the contractor may use the Division's Aggregate Certification of Compliance form, or supply the Resident Engineer with a certification letter indicating the stone quality and statement of non "D" cracking compliance.
- 2.) Inspect and maintain proper storage of all aggregates and materials daily.
- 3.) Perform at least one (1) sieve analysis for each aggregate daily.
- 4.) Inspect all weighing or measuring devices daily.

- 5.) Twice daily check the actual weighing or measuring of aggregates, cement, water, and admixtures for conformance to adjusted batch proportions. Record data on Form AER M-4, Concrete Plant Production, Mix Verification, and calculate the water/cement (or water/cementitious material) ratio.
- 6.) See that the volume of the batch does not exceed the allowable capacity of the mixer and that the proper mixing time is used.
- 7.) Make at least two (2) moisture tests of each aggregate daily and correct batch weights as required.
- 8.) Adjust the dosage rates of the admixtures as required to meet concrete temperature changes and paving conditions.
- 9.) Complete AER M-7, Concrete Air, Slump and Quantity, and Form AER M-4, Concrete Plant Production, Mix Verification for each day's production and deliver same to the Resident Engineer at the end of the day for which the data pertains. Provide to the Resident Engineer load tickets for all aggregates, cement, and admixtures used in the mix.

The Resident Engineer will also be required to visit the plant twice daily on a random basis to record actual batch weights and complete Form AER M-4, Concrete Plant Production, Mix Verification. Forms AER M-4, M-7, and M-12 shall be submitted to the R.E. on a daily basis and then faxed by the R.E. to the Division of Aeronautics daily. (FAX is (217) 785-4533.)

V. ACCEPTANCE TESTING

As required by Item 501-5.3 of the Standard Specifications, acceptance and payment of the final pavement is based on the strength of either cylinders or beams taken at random during the time of construction. The pavement shall be divided into Lots of 1200 cubic yards with sublots of 300 cubic yards each. One random sample (two cylinders or one beam) shall be obtained from each subplot for testing at 28 days to calculate final payment. At the time a subplot sample is taken, one (1) slump and one (1) air test shall be taken.

In addition to the above described sample frequency, three (3), seven (7) and fourteen (14) day tests shall be taken. The Engineer may require additional tests to maintain Quality Control.

Steven J. Long, P.E.
Acting Chief Engineer

Supersedes Policy Memorandum 87-3, dated January 1, 2004.

State of Illinois
Department of Transportation
Division of Aeronautics

POLICY MEMORANDUM

January 1, 2004

Springfield

Number: **87-4**

TO: CONSULTING ENGINEERS

SUBJECT: DETERMINATION OF BULK SPECIFIC GRAVITY (d)
OF COMPACTED BITUMINOUS MIXES

- A. SCOPE. This method of test covers the determination of the bulk specific gravity and the percent air, of core samples from compacted bituminous mixtures using a saturated surface-dry procedure.
- B. DEFINITIONS.
1. Bulk Specific Gravity (G_{sb}) or density is the weight per unit volume (gms/cc) of a mixture in its existing state of consolidation. The volume measurement for this specific gravity will include the volume of all the aggregate, asphalt, and air spaces (voids) in the aggregate particles and between the aggregate particles.
 2. Theoretical Maximum Specific Gravity (G_{mm}) ASTM 2041 is the weight per unit volume (grams/cc) of a mixture assuming complete consolidation; i.e., all the air spaces (voids) between the aggregate particles are eliminated.
 3. Percent Density is a measure of the degree of compaction in relation to the Theoretical Maximum Specific Gravity.
 4. Percent Air is a measure of the air voids in the compacted pavement.
- C. APPARATUS.
1. Balance - The balance shall be accurate to 0.1 gm throughout the operating range. It may be mechanical or electrical and shall be equipped with a suitable suspension apparatus and holder to permit weighing of the core in water while suspended from the balance. If the balance is a beam type, it shall be set up so that the core is placed in the basket that is suspended from the zero (0) end of the balance arm.
 2. Water bath - The container for immersing the core in water while suspended from the balance shall be equipped with an overflow outlet for maintaining a constant water level. This water bath should be large enough to handle full-depth cores. When testing several cores at the same time, a dish-pan, sink or suitable container may be used for soaking.

D. PROCEDURE.

1. Prior to testing, cores shall be sorted on a flat surface in a cool place. The sample(s) shall be brushed with a wire brush and/or other suitable means, to remove all loose and/or foreign materials, such as seal coat, tack coat, foundation material, soil, paper, and foil, prior to testing.
2. If a core contains binder and surface or multiple lifts, the lifts shall be separated. This may be done in the following manner:
 - a. Mark the separation line between the two lifts.
 - b. Place the core in a freezer for 20-25 minutes.
 - c. Place a 2 or 3-inch wide chisel on the separation line and tap with a hammer. Rotate the core and continue this process until the core separates. Brush loose pieces with a wire brush if needed.
 - d. Allow 2-3 hours for the core to return to ambient temperature before proceeding.
3. Prepare the water baths for soaking and weighing with water at 77^o F. Water baths should be maintained at this temperature throughout testing. Saturate the cores by submerging in the water for a minimum of 20 minutes.
4. With the balance and water bath properly assembled and zeroed, suspend the sample from the balance and submerge it in the water bath. The core must be placed with the original top and bottom in a vertical position. If necessary, add sufficient water to bring the water level up to the overflow outlet. Permit any excess to overflow. Read and record the Saturated Submerged Weight. Designate this weight as (C).
5. Remove the core from the water bath and blot the excess water from the surface of the core with an absorbent cloth or other suitable material. This must be done quickly to prevent the internal water from escaping.
6. Place the core on the balance and read and record the Saturated Surface-dry Weight in air. Designate this weight as (B).
7. Place the core in a tared pan and dry in an oven. When the core is dry, (less than 0.5 gm loss in one hour) record the weight and subtract the pan weight. Designate this weight as (A).

8. The following calculation is used to determine the Bulk Specific Gravity of the core.

$$G_{sb} = \frac{A}{B-C}$$

G_{sb} = Bulk Specific Gravity
A = Oven dry weight
B = Saturated surface-dry weight
C = Saturated submerged weight

- E. PERCENT DENSITY. The following calculation is used to determine the percent density of the core:

$$\% \text{ Density} = 100 \times \frac{G_{sb}}{G_{mm}}$$

G_{sb} = Bulk Specific Gravity
 G_{mm} = Theoretical Maximum Gravity*

Note: The Theoretical Maximum Gravity (G_{mm}) is determined from the mix design until current Vacuum Pycnometer test are available.

- F. PERCENT AIR. To calculate the percent air, use the following formula:

$$\% \text{ Air} = 100 - \% \text{ Density}$$

- G. WEIGHT PER SQUARE YARD OF COMPACTED MIXTURE. The actual weight per square yard of a compacted mixture can be calculated by using the Bulk Specific Gravity (G_{sb}). The volume of a square yard of pavement one (1) inch thick is 0.75 cubic foot. Taking the weight of a cubic foot of water as 62.37 pounds, one square yard of compacted material, one (1) inch thick weighs:

$$\text{Pounds Per Sq. Yd. (1" thick)} = 0.75 \times 62.37 \times G_{sb}$$

Steven J. Long, P.E.
Acting Chief Engineer

Supersedes Policy Memorandum 87-4 effective January 1, 1994.

State of Illinois
Department of Transportation
Division of Aeronautics

POLICY MEMORANDUM

January 1, 2004

Springfield

Number: **90-1**

TO: CONSULTING ENGINEERS

SUBJECT: Resampling and Retesting of PCC Pavement

I. PURPOSE

1. This Policy Memorandum outlines the procedure for resampling and retesting of individual Lots of PCC Pavement for the determination of final Price Adjustment as permitted by the Special Provisions for Item 501 Portland Cement Concrete Pavement (Plain and Reinforced).

II. RESAMPLING AND RETESTING.

1. If the contractor should request the resampling and retesting of a LOT, he must notify the Engineer in writing within 24 hours of receiving the written test results and payment results for the LOT in question. The entire LOT must be resampled (no selective resampling of individual sublots will be allowed) and the contractor is not allowed to take additional cores. Once approval to resample has been granted, the Engineer will select random locations from each SUBLLOT of the LOT in question and direct the contractor to drill two (2) 4 inch or 6 inch diameter cores from each location. The cores shall be obtained, cured and tested in accordance with ASTM C 42, Obtaining and Testing Drilled Cores and Sawed Beams of Concrete. The Engineer will take possession of the cores once they have been cut by the contractor.

III. CALCULATION FOR PRICE ADJUSTMENT

1. When Compressive Test Specification (501-3.6(A) Proportions) is specified. The two (2) specimens from each SUBLLOT shall be averaged to constitute one SUBLLOT sample. The Percent Within Limits (PWL) for the LOT shall then be calculated in accordance with Item 501-5.3, Price Adjustment, of the Special Provisions using the sampled core compressive strengths and the Compressive Test formula. The final Price Adjustment shall be based on the PWL calculated using the sampled core compressive strengths. The test results of the resampled pavement are final. All costs associated with resampling, including, but not limited to testing, curing, and coring the concrete samples shall be borne by the contractor, regardless as to whether the test results increase or decrease calculated payment quantity of concrete pavement.
2. When Flexural Test Specification (501-3.6(B) Proportions) is specified. The two (2) specimens from each SUBLLOT shall be averaged to constitute one SUBLLOT sample. The SUBLLOT samples shall then be averaged to obtain a LOT average. In order for the contractor to increase concrete payment quantity back to 100%, the LOT average shall

be at least 6500 psi, and no individual SUBLOT sample shall be less than 6000 psi. Both the LOT average and SUBLOT sample strength requirements must be met in order for the concrete payment quantity to change back to 100%. If both requirements are not met, then the original concrete payment quantity calculated based on the Percent Within Limits (PWL) as outlined in 501-5.3, Price Adjustment, of the Special Provisions shall still apply. The test results of the resampled pavement are final. All costs associated with resampling, including, but not limited to testing, curing, and coring the concrete samples shall be borne by the contractor, regardless as to whether the test results increase or decrease calculated payment quantity of concrete pavement.

Steven J. Long, P.E.
Acting Chief Engineer

Supersedes Policy Memorandum 90-1, dated January 1, 2001

**Illinois Department of Transportation
Division of Aeronautics
Materials Section**

POLICY MEMORANDUM

January 1, 2004

Springfield

Number 95-1

TO: CONSULTING ENGINEERS

SUBJECT: FIELD TEST PROCEDURES FOR MIXER PERFORMANCE AND CONCRETE UNIFORMITY TESTS

I. SCOPE

These methods describe the procedures for obtaining and testing representative samples of fresh concrete in the field to determine the consistency and mixer efficiency of stationary mixers at different mixing time periods.

The concrete produced during the mixing time investigation and not used in the test program may be incorporated in the project provided it conforms to the Standard Specifications for Construction of Airports.

A maximum of two mixing times shall be considered by the Department.

The contractor shall provide all of the necessary equipment and personnel to perform the tests and the Department will observe the testing.

II. APPARATUS REQUIRED

- a. Three (3) air meters conforming to the requirements of ASTM C231 or ASTM C173.
- b. Three (3) slump cone kits conforming to ASTM C143.
- c. One (1) No. 4 sieve having a minimum screen area of 2 sq. ft. The sieve shall conform to the requirements of AASHTO M92.
- d. One (1) platform scale graduated in tenths of a pound having a capacity sufficient to perform tests herein after specified.
- e. One (1) hydraulic or mechanical testing machine conforming to the requirements of the specified testing method for the project (ASTM C39 or ASTM C78).

- f. Flexural strength specimen forms as required. The forms shall be nominally 6x6x30 inch. Means shall be provided for securing the base plate firmly to the mold. The inside surfaces of the mold shall be smooth and free from holes, indentations, or ridges. The sides, bottom, and ends shall be at right angles and shall be straight and true so that the specimens will not be warped. Maximum variation from the nominal cross-section shall not exceed 1/8 inch. The assembled mold and base plate shall be lightly coated with mineral oil or other approved form release oil before use. Compressive strength specimens shall be 6x12 inch and prepared in accordance with ASTM C31.
- g. Sufficient water tanks for curing specimens as required by ASTM C31.
- h. Small tools such as shovels, scoops, buckets, etc., and water shall be furnished, as required.

III. MIXER

The mixer for which the mixing time is to be evaluated shall conform to the applicable sections of the Standard Specifications for Construction of Airports.

IV. MIXING TIME REQUIREMENTS

The minimum mixing time to be evaluated shall be specified in the Standard Specifications for Construction of Airports.

V. PROCEDURE

A minimum of ten (10) batches per drum shall be tested and evaluated for each original reduced mixing time request. Check tests shall consist of three (3) batches.

If the request is for a new, twin drum mixer, ten (10) batches shall be tested for the first drum and three (3) for the second drum.

Check tests are required if the mixer is moved, major maintenance performed, or if the source or type of aggregate has changed. A minimum frequency of check tests shall be one (1) per year.

a. Mixing Time

The mixing time and batch size to be evaluated shall be proposed by the contractor. The mixing time shall begin when all solid materials are in the mixing drum. The mixer timer shall register or indicate accurately the mixing time and a tolerance of two (2) seconds will be permitted.

If approved by the Engineer, minor adjustments in admixture dosage and water content will be allowed to account for weather conditions, provided that the maximum w/c ratio is not exceeded.

b. Sampling

At the conclusion of the mixing cycle, the mixer shall be discharged and appropriate samples obtained from the first, middle, and last third portions of the batch. Any appropriate method may be used, provided the samples are representative of the respective portions and not the very ends of the batch.

As an alternative, the mixer may be stopped, and the samples removed by any suitable means at equally spaced points from the front to the back of the drum.

c. Testing.

1. Each third portion of the batch shall be tested simultaneously. The Contractor shall provide sufficient personnel to meet this requirement. The Contractor personnel performing the testing shall be Level I PCC Technicians or Concrete Testers. However, a Level I PCC Technician shall be provided to supervise the Concrete Tester.
2. From each third portion of the batch the mass (weight) of the concrete in one air meter measuring bowl shall be determined.
3. The air content of each third portion of the batch shall be determined according to ASTM C231 or ASTM C173. The air content shall be the arithmetic average of two (2) tests from each third portion of the batch.
4. The slump of each third portion of the batch shall be determined according to ASTM C143. The slump shall be the arithmetic average of two (2) tests from each third portion of the batch.
5. Flexural strength specimen(s) (two (2) breaks required) or two (2) compressive strength specimens shall be prepared from each third portion of the batch according to ASTM C31. Flexural strength specimen(s) (two (2) breaks required) shall be tested according to ASTM C78 at seven (7) days of age. Compressive strength specimens shall be tested according to ASTM C39 at seven (7) days of age.
6. The contents from the weighed air meter measuring bowl shall be washed over a No. 4 sieve. Shake as much water as possible from the material retained on the sieve and then weigh the material. The coarse aggregate content (portion of mass (weight) of sample retained on a No. 4 sieve), expressed as a percent, shall be calculated.

VI. CONCRETE UNIFORMITY REQUIREMENTS

- a. Test results from each third portion of the batch shall be compared to one another according to Table 1. Each batch shall be evaluated individually.
- b. Mixer performance tests consisting of ten (10) batches: If more than seven (7) tests out of the total or more than three (3) in any one criteria are not in compliance with the uniformity requirements (air content, slump, coarse aggregate content, and strength), a reduced mixing time will not be granted.
- c. Mixer performance tests consisting of three (3) batches: If more than three (3) tests out of the total are not in compliance with the uniformity requirements, a full ten (10) batch investigation shall be required.

Table 1. Requirements for Uniformity of Concrete

Test	Requirement (Note 1)
Air Content, percent by volume of concrete	1.0 (Note 2)
Slump, inch	1.0 (Note 3)
Coarse aggregate content, portion by weight of each sample retained on the No. 4 sieve, percent	6.0
Average flexural or compressive strength at 7 days for each sample based on average strength of all comparative test specimens, percent	7.5 (Note 4)

Note 1. Expressed as maximum permissible difference in results of tests of samples taken from three locations in the concrete batch.

Note 2. The average air content sample shall be the arithmetic average of two (2) tests.

Note 3. The average slump sample shall be the arithmetic average of two (2) tests.

Note 4. The average flexural strength of each sample shall be the arithmetic average of two (2) beam breaks. The average compressive strength of each sample shall be the arithmetic average of two (2) cylinder breaks.

Steven J. Long, P.E.
Acting Chief Engineer

Supersedes Policy Memorandum 95-1 dated January 1, 1995

State of Illinois
Department of Transportation
Division of Aeronautics

POLICY MEMORANDUM

January 1, 2004

Springfield

Number 96-1

TO: CONSULTING ENGINEERS

SUBJECT: ITEM 610, STRUCTURAL PORTLAND CEMENT CONCRETE:
JOB MIX FORMULA APPROVAL & PRODUCTION TESTING.

- I. This policy memorandum addresses the Job Mix Formula (JMF) approval process and production testing requirements when Item 610 is specified for an airport construction contract.
- II. PROCESS
 - a. The contractor may submit a mix design with recent substantiating test data or he may submit a mix design generated by the Illinois Division of Highways with recent substantiating test data for approval consideration. The mix design should be submitted to the Resident Engineer.
 - b. The Resident Engineer should verify that each component of the proposed mix meets the requirements set forth under Item 610 of the *Standard Specifications for Construction of Airports* and/or the contract special provisions.
 - c. The mix design should also indicate the following information:
 1. The name, address, and producer/supplier number for the concrete.
 2. The source, producer/supplier number, gradation, quality, and SSD weight for the proposed coarse and fine aggregates.
 3. The source, producer/supplier number, type, and weight of the proposed flyash and/or cement.
 4. The source, producer/supplier number, dosage rate or dosage of all admixtures.
 - d. After completion of Items b and c above, the mix with substantiating test data shall be forwarded to the Division of Aeronautics for approval. Once the mix has been approved the production testing shall be at the rate in Section III as specified herein.

III. PRODUCTION TESTING

- a. One set of cylinders or beams, depending on the strength specified, shall be cast for acceptance testing for each day the mix is used. In addition, at least one slump and one air test shall be conducted for each day the mix is used. If more than 100 c.y. of the mix is placed in a given day, additional tests at a frequency of 1 per 100 c.y. shall be taken for strength, slump, and air. In **no** case will concrete with a slump greater than 4 inches be allowed for use on the project.
- b. If the total proposed amount of Item 610 Structural Portland Cement Concrete as calculated by the Resident Engineer is less than 50 c.y. for the entire project, the following shall apply:
 - The Resident Engineer shall provide a copy of the calculations of the quantity of Item 610 to the Division of Aeronautics.
 - One set of cylinders or beams, depending the strength specified, shall be cast for acceptance testing.
 - One air content and one slump test shall be taken for acceptance testing.
 - In no case will concrete with a slump greater than 4 inches be allowed for use on the project.
- c. The Resident Engineer shall collect actual batch weight tickets for every batch of Item 610 concrete used for the project. The actual batch weight tickets shall be kept with the project records and shall be available upon request of the Department of Transportation.

Steven J. Long, P.E.
Acting Chief Engineer

Supersedes Policy Memorandum 96-1 dated January 1, 2003

State of Illinois
Department of Transportation
Division of Aeronautics

POLICY MEMORANDUM

January 15, 2007

Springfield, Illinois

Number 96-2

TO: CONTRACTORS

SUBJECT: REQUIREMENTS FOR LABORATORY, TESTING, QUALITY CONTROL, AND PAVING OF BITUMINOUS CONCRETE MIXTURES

I. SCOPE

The purpose of this policy memorandum is to define to the Contractor the requirements concerning the laboratory, testing, Quality Control, and paving of bituminous concrete mixtures. References are made to the most recent issue of the Standard Specifications for Construction of Airports and to American Society for Testing and Materials (ASTM) testing methods. The Quality Assurance and acceptance responsibilities of the Engineer are described in Policy Memorandum 96-3.

II. LABORATORY

The Contractor shall provide a laboratory located at the plant and approved by the Illinois Division of Aeronautics (IDA). The laboratory shall be of sufficient size and be furnished with the necessary equipment and supplies for adequately and safely performing the Contractor's Quality Control testing as well as the Engineer's acceptance testing as described in Policy Memorandum 96-3.

The effective working area of the laboratory shall be a minimum of 600 square feet with a ceiling height of not less than 7.5 feet. Lighting shall be adequate to illuminate all working areas. It shall be equipped with heating and air conditioning units to maintain a temperature of 70° F ± 5° F.

The laboratory shall have equipment that is in good working order and that meets the requirements set forth in the following ASTM test standards:

ASTM C 117	Test Method for Materials Finer than 75 µm (No. 200) Sieve in Mineral Aggregates by Washing
ASTM C 136	Sieve or Screen Analysis of Fine and Coarse Aggregate
ASTM C 566	Total Moisture Content of Aggregate by Drying
ASTM D 75	Sampling Aggregates
ASTM D 1559	Resistance to Plastic Flow of Bituminous Mixtures Using Marshall Apparatus
ASTM D 2041	Theoretical Maximum Specific Gravity and Density of Bituminous Paving Mixtures
ASTM D 2172	Quantitative Extraction of Bitumen from Bituminous Paving Mixtures
IDOT	Ignition Method for Determining Asphalt Content

ASTM D 2726	Bulk Specific Gravity of Compacted Bituminous Mixtures using Saturated Surface Dry Specimens
ASTM D 3203	Percent Air Voids in Compacted Dense and Open Bituminous Paving Mixtures
ASTM D 2950	Density of Bituminous Concrete in Place by Nuclear Method
ASTM D 4125	Asphalt Content of Bituminous Mixtures by Nuclear Method
ASTM C 127	Standard Test Method for Specific Gravity and Absorption of Coarse Aggregate
ASTM C 128	Standard Test Method for Specific Gravity and Absorption of Fine Aggregate

The Asphalt Institute's *Mix Design Methods for Asphalt Concrete Manual No. 2 (MS-2)*

The laboratory and equipment furnished by the Contractor shall be properly calibrated and maintained. The Contractor shall maintain a record of calibration results at the laboratory. The Engineer may inspect measuring and testing devices at any time to confirm both calibration and condition. If the Resident Engineer determines that the equipment is not within the limits of dimensions or calibration described in the appropriate test method, the Engineer may stop production until corrective action is taken. If laboratory equipment becomes inoperable or insufficient to keep up with mix production testing, the Contractor shall cease mix production until adequate and/or sufficient equipment is provided.

III. MIX DESIGN SUBMITTAL

Based upon data and test results submitted by the Contractor, the Illinois Division of Aeronautics Engineer of Construction & Materials shall issue the final Job Mix Formula approval letter that concurs or rejects the Contractor's proposed JMF. The Contractor will be required to perform the sampling and laboratory testing and develop a complete mix design, according to the following guidelines:
[Note: A testing summary chart can be found in Appendix B.]

- A. Material sources meeting the requirements of the contract shall be submitted in writing at or before the preconstruction conference (see BITUMINOUS WORKSHEET in Appendix A) in the following format:
1. To: Steve Long, Acting Chief Engineer
Attn: Mike Wilhelm, Engineer of Construction & Materials
Division of Aeronautics
One Langhorne Bond Drive
Springfield, Illinois 62707
 2. Producer name and location of each aggregate
 3. Producer # for each aggregate (producers are assigned this number by IDOT Central Bureau of Materials)
 4. Material code for each aggregate
 5. Gradation and Quality designation for each aggregate (i.e. CA-11, etc.)
 6. Producer, producer #, and specific gravities of asphalt cement

7. Performance Graded Binder 64-22 shall be used unless otherwise approved by the IDA Engineer of Materials.
- B. The Contractor shall obtain representative samples of each aggregate. The individual obtaining samples shall have successfully completed the IDOT Aggregate Technician Course under the IDOT Division of Highways, QC/QA program. The sample size shall be approximately 280 lb. for each coarse aggregate, 150 lb. for each fine aggregate, 15 lb. for the mineral filler or collected dust, and 1 gallon of asphalt cement.
- C. The Contractor shall split the aggregate samples down and run gradation tests according to the testing methods referenced in Appendix B of this memorandum. The remaining aggregates shall be set aside for further Mix Design testing. The results of the gradation tests, along with the most recent stockpile gradations, shall be reported by fax to the IDA Engineer of Materials for engineering evaluation. If the gradation results are deemed non-representative or in any way unacceptable, new representative samples may be required at the direction of the IDA Engineer of Materials. Only composite gradations are required under this procedure.
- D. Based on the accepted gradation results, the Contractor will determine blend percentages in accordance with the contract specifications (see Section 201/401 – 3.2 JOB MIX FORMULA under Table 4) for each aggregate to be used in determining the Job Mix Formula, as well as mix temperature and asphalt content(s), and number of Marshall Blows for preparation of the Marshall Mix Design, or number of gyrations for Superpave Mix Design, depending on which design method is specified in the contract. The Contractor will verify the aggregate percentages, mix temperatures, asphalt content(s), and number of Marshall blows (or gyrations) with the IDA Engineer of Construction & Materials before beginning any testing.
- E. After verification of the information from step D., the Contractor shall make specimens and perform the following tests at various asphalt contents in order to obtain the optimum mix design. [Note: Actual test designation is referenced in Appendix B of this memorandum.]

Marshall Tests

Maximum Specific Gravity -- " G_{mm} "

Bulk Specific Gravity -- " G_{sb} "

Marshall Stability

Marshall Flow

% air voids

The JMF will be designed in accordance with Table 4 as modified in the Recurring Special Provisions for the type of mix being produced. Appendix C contains a copy of the Table 4 targets and ranges for the JMF.

- F. All technicians who will be performing mix design testing and plant sampling/testing shall have successfully completed the IDOT Division of Highways Bituminous Concrete Level 1 Technician Course "Bituminous Concrete Testing". The Contractor may also provide a Gradation Technician who has successfully completed the Department's "Gradation Technician Course" to run gradation tests only under the supervision of a Bituminous Concrete Level 2 Technician.
- G. The mix design testing results and resulting optimal JMF shall be reported to the IDA Engineer of Construction & Materials with the following data included:
- Aggregate & liquid asphalt material codes
 - Aggregate & liquid asphalt producer numbers, names, and locations
 - Aggregate Blend of each aggregate
 - Optimum Blend % for each sieve
 - AC Specific Gravity
 - Bulk Specific Gravity and Absorption for each aggregate
 - Summary of Marshall Design Data: AC % Mix, Stability, Flow, G_{mb} , G_{mm} , VMA, Voids (Total Mix), Voids Filled

- h) Optimum design data listing AC % Mix, Stability, Flow, G_{mb} , G_{mm} , VMA, Voids (Total Mix), Voids Filled
- i) Percent of asphalt that any RAP will add to the mix
- j) Graphs for the following: gradation on 0.45 Power Curve, AC vs. Voids (Total Mix), AC vs. Specific Gravities, AC vs. Voids Filled, AC vs. Stability, AC vs. Flow and VMA

- H. The IDA Engineer of Construction & Materials shall generate and issue a concurrence or rejection of the Contractor's proposed Mix Design with the JMF for the manufacture of bituminous mixtures based upon the Contractor's submitted testing and complete mix design results. The Contractor shall not be permitted to use the proposed HMA mix in production for the project until this concurrence letter is issued to the Contractor by the IDA Engineer of Construction & Materials, and the mix passes all test section requirements, when a test section is specified.
- I. The above procedure, III. MIX DESIGN SUBMITTAL shall be repeated for each change in source or gradation of materials.

IV. MIX PRODUCTION TESTING

The Quality Control of the manufacture and placement of bituminous mixtures is the responsibility of the Contractor. The Contractor shall perform or have performed the inspection and tests required to assure conformance to contract requirements. Quality Control includes the recognition of defects and their immediate correction. This may require increased testing, communication of test results to the plant or the job site, modification of operations, suspension of bituminous mix production, rejection of material, or other actions as appropriate. The Resident Engineer shall be immediately notified of any failing tests and subsequent remedial action. Form AER M-14 shall be reported to the Engineer and Resident Engineer no later than the start of the next work day. In addition, AER M-9 and M-11 shall be given to the Resident Engineer daily (Appendix A). The Contractor shall provide a Quality Control (QC) Manager who will have overall responsibility and authority for Quality Control. This individual shall have successfully completed the IDOT Division of Highways Bituminous Concrete Level II Technician Course "Bituminous Concrete Proportioning and Mixture Evaluation." In addition to the QC Manager, the Contractor shall provide sufficient and qualified personnel to perform the required visual inspections, sampling, testing, and documentation in a timely manner. The following plant tests and documentation shall be required: [Note: A summary chart of testing can be found in Appendix B.]

- A. Minimum of one (1) complete hot bin or combined belt analysis per day of production or every 1,000 tons, whichever is more frequent.
- B. Minimum one (1) stockpile gradation for each aggregate and/or mineral filler per week when a batch plant is utilized. Minimum of one (1) gradation for each aggregate per day of production or every 1,000 tons when a drum plant is used, and one (1) gradation per week for mineral filler when a drum plant is used.
- C. A certification from the quarry for the total quantity of aggregate listing the source, gradation type, and quality designation of aggregate shipped.
- D. Original asphalt shipping tickets listing the source and type of asphalt shipped.
- E. One mix sample per 1,000 tons of mix. The sample shall be split in half. One half shall be reserved for testing by the Engineer. The other half shall be split and tested by the Contractor for Marshall, Extraction, Gradation, Maximum Specific Gravity, and Air Void tests in accordance with the appropriate ASTM standard referenced herein. [See Appendix B.]
 - 1. In place of the extraction test, the Contractor may provide the asphalt content by a calibrated ignition oven test using the IDOT Division of Highways' latest procedure. The correction (calibration) factor for aggregate type shall be clearly indicated in the reported test results.

From these tests, the Contractor shall interpret the test data and make necessary adjustments to the production process in order to comply with the approved JMF.

V. QUALITY CONTROL

A. Control Limits

Target values shall be determined from the approved JMF. The target values shall be plotted on the control charts within the following control limits:

<u>Parameter</u>	<u>Control Limits</u>	
	<u>Individual Test</u>	<u>Moving Avg. of 4</u>
% Passing		
1/2 in.	± 7 %	± 4 %
No. 4	± 7 %	± 4 %
No. 8	± 5 %	± 3 %
No. 30	± 4 %	± 2.5 %
No. 200 *	± 2.0 % *	± 1.0 % *
Asphalt Content	± 0.45 %	± 0.2 %

* No. 200 material percents shall be based on washed samples. Dry sieve gradations (-200) shall be adjusted based on anticipated degradation in the mixing process.

B. Control Charts

Standardized control charts shall be maintained by the Contractor at the field laboratory. The control charts shall be displayed and be accessible at the field laboratory at all times for review by the Engineer. The individual required test results obtained by the Contractor shall be recorded on the control chart immediately upon completion of a test, but no later than 24 hours after sampling. Only the required plant tests and resamples shall be recorded on the control chart. Any additional testing of check samples may be used for controlling the Contractor's processes, but shall be documented in the plant diary.

The results of assurance tests performed by the Engineer will be posted as soon as available.

The following parameters shall be recorded on control charts:

1. Combined Gradation of Hot-Bin or Combined Belt Aggregate Samples (Drier Drum). (% Passing 1/2 in., No. 4., No. 8, No. 30, and No. 200 Sieves)
2. Asphalt Content
3. Bulk Specific Gravity of Marshall Sample
4. Maximum Specific Gravity of Mixture

C. Corrective Action for Required Plant Tests

Control Limits for each required parameter, both individual tests and the average of four tests, shall be exhibited on control charts. Test results shall be posted within the time limits previously outlined.

1. Individual Test Result. When an individual test result exceeds its control limit, the Contractor shall immediately resample and retest. If at the end of the day no material remains from which to resample, the first sample taken the following day shall serve as the resample as well as the first sample of the day. This result shall be recorded as a retest. If the retest passes, the Contractor may continue the required plant test frequency. Additional check samples should be taken to verify mix compliance.
2. Asphalt Content. If the retest for asphalt content exceeds control limits, mix production shall cease and immediate corrective action shall be instituted by the Contractor. After corrective action, mix production shall be restarted, the mix production shall be stabilized, and the Contractor shall immediately resample and retest. Mix production may continue when approved by the Engineer. The corrective action shall be documented.

Inability to control mix production is cause for the Engineer to stop the operation until the Contractor completes the investigation identifying the problems causing failing test results.

3. Combined Aggregate/Hot-Bin. For combined aggregate/hot-bin retest failures, immediate corrective action shall be instituted by the Contractor. After corrective action, the Contractor shall immediately resample and retest. The corrective action shall be documented.
 - a. Moving Average. When the moving average values trend toward the moving average control limits, the Contractor shall take corrective action and increase the sampling and testing frequency. The corrective action shall be documented.

The Contractor shall notify the Engineer whenever the moving average values exceed the moving average control limits. If two consecutive moving average values fall outside the moving average control limits, the Contractor shall cease operations. Corrective action shall be immediately instituted by the Contractor. Operations shall not be reinstated without the approval of the Engineer. Failure to cease operations shall subject all subsequently produced material to be considered unacceptable.
 - b. Mix Production Control. If the Contractor is not controlling the production process and is making no effort to take corrective action, the operation shall stop.

VI. TEST SECTION AND DENSITY ACCEPTANCE **(Note: Applies only when specified.)**

- A. The purpose of the test section is to determine if the mix is acceptable and can be compacted to a consistent passing density.

A quick way to determine the compactibility of the mix is by the use of a nuclear density gauge in the construction of a growth curve. An easy way to construct a growth curve is to use a good vibratory roller. To construct the curve, an area the width of the roller in the middle of the mat is chosen and the roller is allowed to make one compactive pass. With the roller stopped some 30 feet away, a nuclear reading is taken and the outline of the gauge is marked on the pavement. The roller then makes a compaction pass in the opposite direction and another reading is taken. This scenario is continued until at least two (2) passes are made past the maximum density obtained.

The maximum laboratory density potential of a given mix is a direct function of the mix design air voids. Whereas, the actual maximum field density is a function of the type of coarse aggregates, natural or manufactured sands, lift thickness, roller type (static or vibratory), roller and paver speed, base condition, mix variation, etc. All of these items are taken into consideration with the growth curve.

1. High Density in the Growth Curve. If the growth curve indicates a maximum achievable field density of between 95 to 98 percent of the Theoretical Maximum Density (D), you can proceed with the Rolling Pattern. On the other hand, if the maximum achievable density is greater than 98 percent, a quick evaluation (by use of an extractor, hot bin gradations, nuclear asphalt determinator, etc.) must be made of the mix. When adjustments are made in the mix, a new growth curve shall be constructed.
2. Low Density in the Growth Curve. If the growth curve indicates the maximum achievable density is below 94 percent, a thorough evaluation of the mix, rollers, and laydown operations should be made. After a thorough evaluation of all factors (mix, rollers, etc.), asphalt or gradation changes may be in order as directed by the Engineer. Again, any changes in the mix will require a new growth curve. Note that the nuclear density test is a quality control tool and not an acceptance test. All acceptance testing is to be conducted by the use of cores, unless otherwise specified.
3. Acceptance of Test Section. The Contractor may proceed with paving the day after the test section provided the following criteria have been met:
 - a. Four random locations (2 cores per location cut longitudinally and cored by the Contractor) will be selected by the Engineer within the test strip. No individual core can be below a minimum of 94% density.
 - b. All Marshall and extraction test results from mix produced for the test section must be within the tolerances required by specification.
 - c. The Contractor shall correlate his nuclear gauge to the cores taken in the test section. Additional cores may be taken at the Contractor's expense for this purpose within the test section area, when approved by the Engineer.
4. Density Acceptance under Production Paving. The responsibility for obtaining the specified density lies with the Contractor. Therefore, it is important that the nuclear density gauge operator communicate with the roller operators to maintain the specified density requirements. The Contractor shall provide a Bituminous Concrete Density Tester who has successfully completed the Department's "Bituminous Concrete Nuclear Density Testing Course" to run all required density tests on the job site. Density acceptance testing, unless otherwise specified, is described as follows:
 - a. The Contractor shall cut cores at random locations within 500 ton sublots as directed by the Resident Engineer.
 - b. The cores should be extracted so as not to damage them, since they are used to calculate the Contractor's pay.
 - c. The Engineer will run preliminary G_{mb} tests on the cores to give the Contractor an indication of how compaction is running for the next day's paving.

- d. A running average of four (4) Maximum Theoretical Gravities (G_{mm}) will be used for calculating percent compaction.
- e. Final core density tests and pay calculations will be performed by the Resident Engineer and delivered to the Contractor.

Steven J. Long, P.E.
Acting Chief Engineer

Supersedes Policy Memorandum 96-2 dated April 1, 2004

APPENDIX A

BITUMINOUS WORKSHEET

Airport: _____ Project No.: _____ AIP No.: _____

Mix Design #: _____ Material Code: _____ Producer: _____

Prod. #: _____

AGGREGATE

Mat'l. Code: _____

Producer #: _____

Prod. Name _____

Location: _____

Percent Passing

Sieve Size

1 inch	_____	_____	_____	_____	_____
3/4 inch	_____	_____	_____	_____	_____
1/2 inch	_____	_____	_____	_____	_____
3/8 inch	_____	_____	_____	_____	_____
No. 4	_____	_____	_____	_____	_____
No. 8	_____	_____	_____	_____	_____
No. 16	_____	_____	_____	_____	_____
No. 30	_____	_____	_____	_____	_____
No. 50	_____	_____	_____	_____	_____
No. 100	_____	_____	_____	_____	_____
No. 200	_____	_____	_____	_____	_____
Washed (y/n)	_____	_____	_____	_____	_____
O.D. Gravity	_____	_____	_____	_____	_____
App. Gravity	_____	_____	_____	_____	_____
Absorption	_____	_____	_____	_____	_____
Asphalt Gravity	_____	Asphalt Source	_____	Asphalt Producer No.	_____

MARSHALL DATA

% Asphalt _____

M. Stability _____

Flow _____

D _____

0 _____

% Air Voids _____

Q.C. Manager Name: _____ Phone number: _____

Laboratory Location: _____ Fax Number: _____

Remarks: _____

Bituminous Mixtures Extraction

Date: _____

Airport: _____ Consultant: _____

Illinois Project: _____ Contractor: _____

AIP Project No.: _____ Producer: _____

Mix #: _____ Dry Time: _____ Lot: _____ Sublot: _____

Type: _____ Washed: _____

Sieve	Wt.	Accum. Wt.	% Passing	Mix Formula	Tolerance	Spec Range
1.5						
1						
3/4						
1/2						
3/8						
4						
8						
16						
30						
50						
100						
200						
Tot Agg						
Bit						

Extraction Data	
Pan, New Filter & Sample	g _____
Pan & New Filter	g _____
Sample	g _____
Pan, Used Filter, Aggregate	g _____
Pan & New Filter	g _____
Aggregate	g _____
Pan & Used Filter	g _____
Pan & New Filter	g _____
Dust in Filter	g _____
Sample	g _____
Aggregate	g _____
Bitumen	g _____

New Bit:	Marshall Stab:	Blows:	Gyro:	Flow:	TSR:
Bulk SPGR:	Max SPGR:	% Voids:	DEN (PCF):		

Remarks: _____

CC: _____ Tested by: _____

APPENDIX B

QUALITY CONTROL TESTING (PLANT)

PARAMETER	FREQUENCY	SAMPLE SIZE	TEST METHOD	REPORT FORM
Aggregate Gradations: Hot bins for batch and continuous plants--- Individual cold-feeds or combined belt-feeds for drier drum plants.	Minimum 1 per day of production and at least 1 per 1000 tons.	CA07/11: 5000 gm CA13: 2000 gm CA16: 1500 gm Fine agg: 500 gm 1 gallon asphalt cement	ASTM C 136	AER M-9
Aggregate gradations: Stockpiles	Minimum 1 per aggregate per week per stockpile.	CA07/11: 5000 gm CA13: 2000 gm CA16: 1500 gm Fine agg: 500 gm *Note: The above test sample sizes are to be obtained from splitting down a larger sample from the stockpiles.	ASTM C 136	AER M-9
Maximum Specific Gravity	Minimum 1 per 1000 tons	1200 gm per test	ASTM D 2041	AER M-11 and AERM-14
Bulk Specific Gravity	Minimum 1 per 1000 tons	1250 gm per briquette	ASTM D 2726	AER M-11 and AERM-14
Marshall Stability and Flow	Minimum 1 per 1000 tons	1250 gm per briquette	ASTM D 1559	AER M-11 and AERM-14
% Air Voids	Minimum 1 per 1000 tons		ASTM D 3203	AER M-11 and AERM-14
Extraction	Minimum 1 per 1000 tons	1000 gm (surface) 1500 gm (base)	ASTM D 2172	AER M-11 and AERM-14
Ignition Oven Test	Minimum 1 per 1000 tons	1500 gm		AER M-14
Nuclear Asphalt Gauge	Minimum 1 per 1000 tons	1000-1100 gm	ASTM D 2145	AER M-14

MIX DESIGN TESTING

PARAMETER	FREQUENCY	SAMPLE SIZE	TEST METHOD	REPORT FORM
Representative samples of each aggregate and asphalt cement.	1 per aggregate and 1 asphalt cement.	280 lb. (coarse) 150 lb. (fine) 15 lb. (min. filler) 1 gallon asphalt cement	ASTM D 75	N/A
Aggregate Gradation	1 per aggregate	CA07/11: 5000 gm CA13: 2000 gm CA16: 1500 gm Fine agg: 500 gm	ASTM C 136	Bituminous Worksheet (Appendix A)
Maximum Specific Gravity	2 per specified asphalt content	1200 gm per test	ASTM D 2041	Bituminous Worksheet (Appendix A)
Bulk Specific Gravity	3 briquettes per specified asphalt content	1250 gm per briquette	ASTM D 2726	Bituminous Worksheet (Appendix A)
Marshall Stability and Flow	3 briquettes	1250 gm per briquette	ASTM D 1559	Bituminous Worksheet (Appendix A)
% Air Voids	1 per specified asphalt content (Avg. of G_{sb}/G_{mm})		ASTM D 3203	Bituminous Worksheet (Appendix A)

QUALITY CONTROL TESTING (PAVER)

PARAMETER	FREQUENCY	SAMPLE SIZE	TEST METHOD	REPORT FORM
Nuclear Density Test	As required by the Contractor to maintain consistent passing density	Various locations	ASTM D 2950	

APPENDIX C

AGGREGATE BITUMINOUS BASE COURSE

Percentage by Weight Passing Sieves Job Mix Formula (JMF)		
Sieve Size	Gradation B Range 1" Maximum	Ideal Target
1-1/4 in.	---	---
1 in.	100	100
3/4 in.	93 – 97	95
1/2 in.	75 – 79	77
3/8 in.	64 – 68	66
No. 4	45 – 51	48
No. 8	34 – 40	37
No. 16	27 – 33	30
No. 30	19 – 23	21
No. 100	6 – 10	8
No. 200	4 – 6	5
Bitumen %:		
Stone	4.5 – 7.0	5.5

AGGREGATE BITUMINOUS SURFACE COURSE

Percentage by Weight Passing Sieves Job Mix Formula (JMF)		
Sieve Size	Gradation B Range $\frac{3}{4}$" Maximum	Ideal Target
1 in.	100	---
3/4 in.	100	100
1/2 in.	99 - 100	100
3/8 in.	91 - 97	94
No. 4	56 – 62	59
No. 8	36 - 42	39
No. 16	27 - 32	30
No. 30	19 - 25	22
No. 100	7 – 9	8
No. 200	5 – 7	6
Bitumen %:		
Stone	5.0 – 7.0	6.0

State of Illinois
Department of Transportation
Division of Aeronautics

POLICY MEMORANDUM

January 1, 2004

Springfield, Illinois

Number 96-3

TO: CONSULTING ENGINEERS

SUBJECT: REQUIREMENTS FOR QUALITY ASSURANCE ON PROJECTS
WITH BITUMINOUS CONCRETE PAVING

I. SCOPE

The purpose of this policy memorandum is to define to the Consulting Engineer the requirements concerning Quality Assurance on bituminous concrete paving projects. Specifically, this memo applies whenever the Contractor is required to comply with the requirements set forth in Policy Memorandum 96-2, "*Requirements for Laboratory, Testing, Quality Control, and Paving of Bituminous Concrete Mixtures*".

II. LABORATORY APPROVAL

The Resident Engineer shall review and approve the Contractor's plant laboratory to assure that it meets the requirements set forth in the contract specifications and Policy Memorandum 96-2. This review and approval shall be completed prior to utilization of the plant for the production of any mix.

III. QUALITY ASSURANCE DURING PRODUCTION PAVING

A. At the option of the Engineer, independent assurance tests may be performed on split samples taken by the Contractor for Quality Control testing. In addition, the Resident Engineer shall witness the sampling and splitting of these samples at the start of production and as needed throughout mix production. The Engineer may select any or all split samples for assurance testing. These tests may be performed at any time after sampling. The test results will be made available to the Contractor as soon as they become available.

B. The Resident Engineer may witness the sampling and testing being performed by the Contractor. If the Resident Engineer determines that the sampling and Quality Control tests are not being performed according to the applicable test procedures, the Engineer may stop production until corrective action is taken. The Resident Engineer will promptly notify the Contractor, both verbally and in writing, of observed deficiencies. The Resident Engineer will document all witnessed samples and tests. The Resident Engineer may elect to obtain samples for testing, separate from the Contractor's Quality Control process, to verify specification compliance.

1. Differences between the Contractor's and the Engineer's split sample test results will be considered acceptable if within the following limits:

<u>Test Parameter</u>	<u>Acceptable Limits of Precision</u>
% Passing	
1/2 in.	5.0 %
No. 4	5.0 %
No. 8	3.0 %
No. 30	2.0 %
No. 200	2.2 %
Asphalt Content	0.3 %
Maximum Specific Gravity of Mixture	0.026
Bulk Specific Gravity of Marshall Sample	0.045

2. In the event a comparison of the required plant test results is outside the above acceptable limits of precision, split or independent samples fail the control limits, an extraction indicates non-specification mix, or a continual trend of difference between Contractor and Engineer test results is identified, the Engineer will immediately investigate. The Engineer may suspend production while the investigation is in progress. The investigation may include testing by the Engineer of any remaining split samples or a comparison of split sample test results on the mix currently being produced. The investigation may also include review and observation of the Contractor's technician performance, testing procedure, and equipment. If a problem is identified with the mix, the Contractor shall take immediate corrective action. After corrective action, both the Contractor and the Engineer shall immediately resample and retest.

- C. The Contractor shall be responsible for documenting all observations, records of inspection, adjustments to the mixture, test results, retest results, and corrective actions in a bound hardback field book or bound diary which will become the property of IDA upon completion and acceptance of the project. The Contractor shall be responsible for the maintenance of all permanent records whether obtained by the Contractor, the Contractor's Consultants, or the producer of bituminous mix material. The Contractor shall provide the Engineer full access to all documentation throughout the progress of the work.

Results of adjustments to mixture production and tests shall be recorded in duplicate and sent to the Engineer.

IV. ACCEPTANCE BY ENGINEER

Density acceptance shall be performed according to Policy Memorandum 87-2, or according to the acceptance procedure outlined in the Special Provisions.

Steven J. Long, P.E.
Acting Chief Engineer

Supersedes Policy Memorandum 96-3 dated January 1, 1997

State of Illinois
Department of Transportation
Division of Aeronautics

POLICY MEMORANDUM

January 1, 2004

Springfield, Illinois

Number 97-2

TO: CONSULTING ENGINEERS

SUBJECT: PAVEMENT MARKING PAINT ACCEPTANCE

I. SCOPE

The purpose of this policy memorandum is to define the procedure for acceptance of pavement marking paint.

II. RESIDENT ENGINEER'S DUTIES

The Resident Engineer shall follow the acceptance procedure outlined as follows:

- A. Require the painting contractor to furnish the name of the paint manufacturer and the batch number proposed for use prior to beginning work. Notify the I.D.A. Materials Certification Engineer when this information is available.
- B. Require the manufacturer's certification before painting begins. Check the certification for compliance to the contract specifications.
 1. The certification shall be issued from the manufacturer and shall include the specification and the batch number.
 2. The paint containers shall have the manufacturer's name, the specification and the batch number matching the certification.
- C. If no batch number is indicated on the certification or containers, sample the paint according to the procedure for the corresponding paint type.
- D. If the I.D.A. Engineer of Materials indicates that batch number has not been previously sampled and tested, sample the paint according to the procedure for the corresponding paint type. The Division of Aeronautics will provide paint cans upon request by the Resident Engineer. Samples will only be taken in new epoxy lined cans so that the paint will not be contaminated. It is important to seal the sample container immediately with a tight cover to prevent the loss of volatile solvents.

Mark the sample cans with the paint color, manufacturer's name, and batch number. The paint samples and manufacturer's certification shall be placed in the mail within 24 hours after sampling. Address the samples to the Materials Certification Engineer at:

Illinois Department of Transportation
Division of Aeronautics
One Langhorne Bond Drive
Springfield, Illinois 62707

Sampling Procedures for Each Paint Type:

1. Waterborne or Solvent Base Paints
 - a. Take the paint sample from the spray nozzle when the contractor begins marking. A sample consists of two one-pint cans taken per batch number.
 - b. Be sure to indicate to the contractor that acceptance of material is based upon a passing test of the paint material.

2. Epoxy Paint
 - a. Take separate one-pint samples of each paint component prior to marking. Before drawing samples, the contents of each component's container must be thoroughly mixed to make certain that any settled portion is fully dispersed. **Do not combine the two components or sample from the spray nozzle.**
 - b. Be sure to indicate to the contractor that acceptance of material is based upon a passing test of the paint material.

III. TESTING

The paint will be tested for acceptance by the IDOT Bureau of Materials and Physical Research for conformance to the contract specifications.

Steven J. Long, P.E.
Acting Chief Engineer

Supersedes policy memorandum 97-2 dated February 27, 2002

State of Illinois
Department of Transportation
Division of Aeronautics

POLICY MEMORANDUM

January 1, 2004	Springfield, Illinois	Number: 2001-1
-----------------	-----------------------	----------------

TO: CONTRACTORS

SUBJECT: REQUIREMENTS FOR COLD WEATHER CONCRETING

I. PURPOSE

- A. This policy memorandum outlines the minimum requirements for cold weather concreting. Cold weather is defined as whenever the average ambient air temperature during day or night drops below 40°F.

II. COLD WEATHER CONCRETING PLAN

- A. The contractor shall submit a cold weather concreting plan to the Engineer for approval. Cold weather concreting operations are not allowed to proceed until the contractor's cold weather concreting plan has been approved by the Engineer.
- B. The contractor's plan shall be in compliance with this memorandum and shall address, as a minimum, the following:
1. Concrete Mix Manufacturing
 2. Concrete Mix Temperature Monitoring
 3. Base Preparation
 4. Concrete Curing and Protection
 5. In Place Concrete Temperature Monitoring
 6. Strength Test Specimens

III. MINIMUM REQUIREMENTS

A. Concrete Mix Manufacturing

1. The contractor must make the necessary adjustments so that the concrete temperature is maintained from 50°F to 90°F for placement. Acceptable methods include:
 - a) Heating the mixing water Note: If the mixing water is to be heated to a temperature above 100°F, the contractor must include a mixing sequence plan to indicate the order that each component of the mix is to be charged into the mixer.

- b) Heating the aggregates Note: The exact method of heating the aggregates shall be included as part of the cold weather concreting plan. Aggregates must be free of ice and frozen lumps. To avoid the possibility of a quick or flash set of the concrete, when either the water or aggregates are heated to above 100°F, they should be combined in the mixer first before the cement is added.

B. Concrete Mix Temperature

1. The contractor shall monitor the mix temperature at the plant and prior to placement in the forms. Mix that does not meet the temperature requirement of 50°F to 90°F shall be rejected for use on the project.

C. Base Preparation

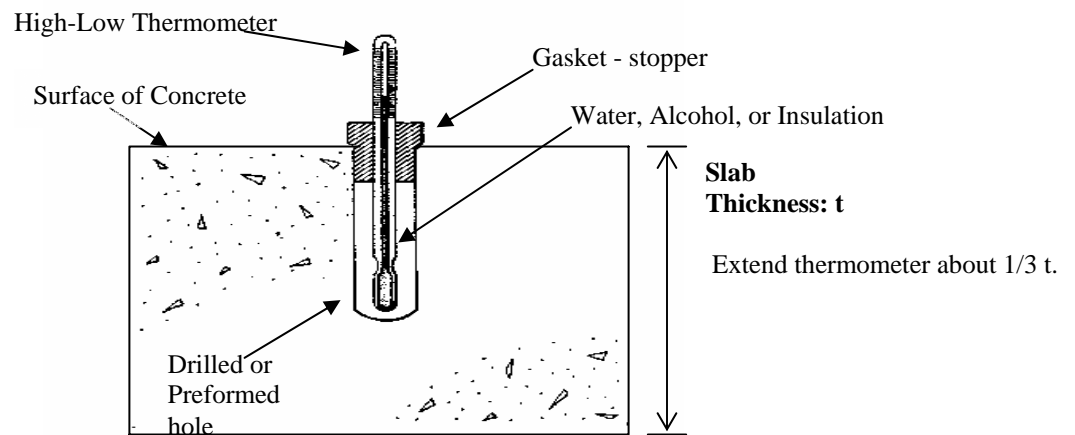
1. Paving or placing concrete on a frozen base, subbase, or subgrade is prohibited.
2. The base, subbase, or subgrade on which the concrete is to be placed shall be thawed and heated to at least 40°F. The method by which the base subbase or subgrade is to be heated shall be indicated in the contractor's cold weather concreting plan. Insulating blankets or heated enclosures may be required.

D. Concrete Protection and Curing

1. In addition to the curing options available in article 501-3.17 (a) (b), (c), and (d) of the Standard Specifications for Construction of Airports, the contractor shall protect the concrete in such a manner as to maintain a concrete temperature of at least 50°F for 10 days.
2. The method of concrete protection shall be by use of insulating layer or heated enclosure around the concrete. The method of protection shall be indicated in the contractor's cold weather concreting plan. When insulating layers are to be used, the thermal resistance to heat transfer (R Value in °F*hr*ft²/BTU) of the insulation material selected, shall be appropriate for the slab thickness being constructed and shall be indicated in the cold weather concreting plan.
3. Appendix A shows a chart and table taken from the American Concrete Institute specification, ACI 306 R Cold Weather Concreting, which may be used by the contractor in selecting the proper insulation (R Value) and insulating material which may be used.

E. In-Place Concrete Temperature Monitoring

1. Once the concrete is in place, the protection method used, must ensure that the concrete temperature does not fall below 50°F for the time period specified in Section (D. 1.) of this Policy Memorandum (10 days).
2. The concrete temperature on the surface and below the surface must be monitored and recorded by the contractor for the duration of the protection period in Section (D. 1.).
3. After the concrete has hardened, surface temperature can be checked with special surface thermometers or with an ordinary thermometer that is kept covered with insulating blankets. The high and low values for each 24-hour period of protection must be measured and recorded.
4. One acceptable method of checking temperature below the concrete surface is given in the Portland Cement Association (PCA) book entitled "Design and Control of Concrete Mixtures" latest edition. The method is indicated below and it should be noted that the thermometer should be capable of recording high and low values for a given 24-hour period.



Scheme for measuring concrete temperature below the surface.

5. The exact method for surface and sub-surface concrete temperature monitoring shall be indicated in the contractor's cold weather concreting plan. The maximum permissible difference between the interior and surface temperature is 35 °F. Adjustments in protection method shall be implemented if the maximum permissible difference is exceeded.

F. Strength specimen handling

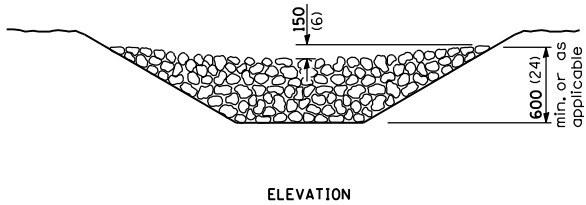
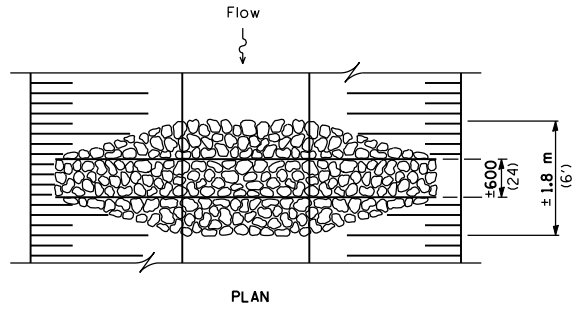
1. The Contractor is responsible for making, transporting, and curing all samples (beams or cylinders)
2. The Contractor is required to load the testing machine and dispose of the broken pieces.
3. Onsite, indoor curing facilities, meeting the requirements of ASTM C-31, shall be required for cold weather concreting operations.

4. Sampling for strength specimens shall be according to the Contract Special Provisions. Sampled concrete shall be transported to the indoor curing facilities for the casting of strength specimens.
5. The exact location and description of the curing facilities shall be indicated in the contractor's cold weather concreting plan.
6. The method of transporting concrete sampled from the grade to the curing facilities for casting shall be indicated in the contractor's cold weather concreting plan.

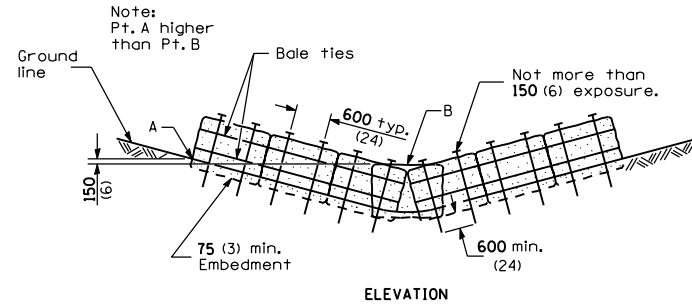
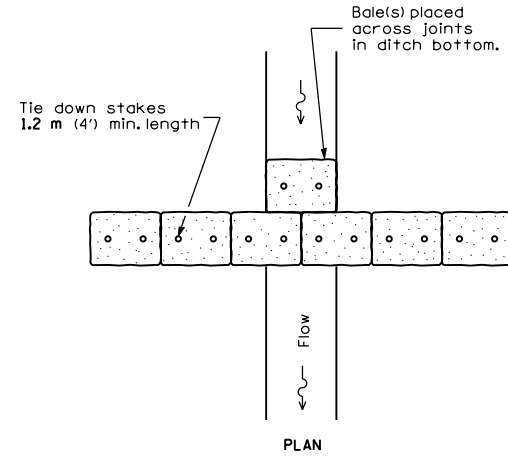
Steven J. Long, P.E.
Acting Chief Engineer

Supersedes Policy Memorandum 2001-1 dated January 1, 2001

IDOT STANDARD DETAILS



AGGREGATE DITCH CHECK



ROLLED EXCELSIOR OR STRAW BALES FOR DITCH CHECK

GENERAL NOTES

The dimensions and installation methods for ditch checks shall be the same for perimeter erosion barriers and inlet and outlet protection unless otherwise specified.

All dimensions are in millimeters (inches) unless otherwise shown.

DATE	REVISIONS
1-1-02	Rev. ditch ck details & added perimeter erosion barrier detail.
1-1-99	Clar. ditch check dimen. Rev. filter fence sym. & inlet & pipe prot. detail.

TEMPORARY EROSION CONTROL SYSTEMS

(Sheet 1 of 3)

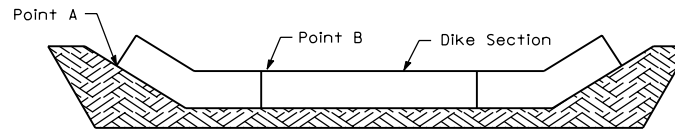
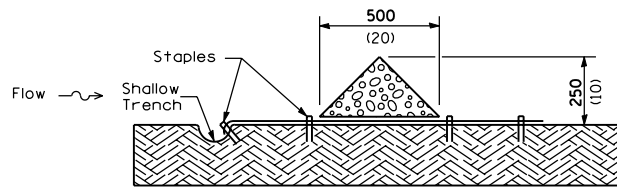
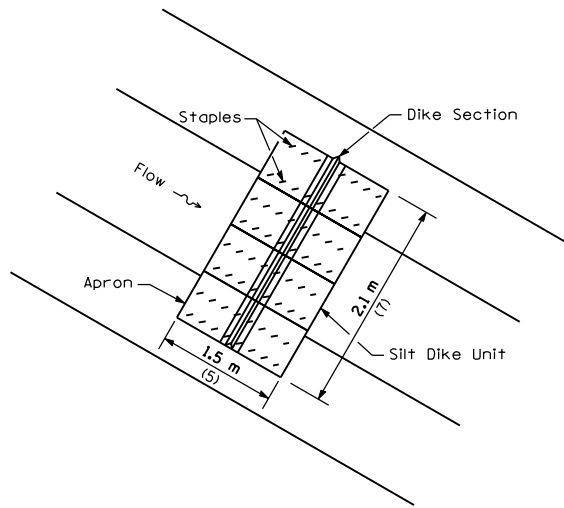
STANDARD 280001-02

Illinois Department of Transportation

PASSED *Ron Dinkell* January 1, 2002
ENGINEER OF POLICY AND PROCEDURES

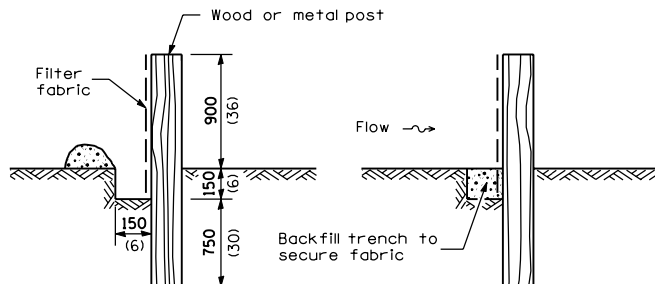
APPROVED *Michael J. Hone* January 1, 2002
ENGINEER OF DESIGN AND ENVIRONMENT

ISSUED 1-1-97



Point A must be higher than Point B to ensure that water flows over the dike and not around the ends.

URETHANE FOAM/GEOTEXTILE DITCH CHECK



SILT FILTER FENCE AS A PERIMETER EROSION BARRIER

TEMPORARY EROSION CONTROL SYSTEMS

(Sheet 2 of 3)

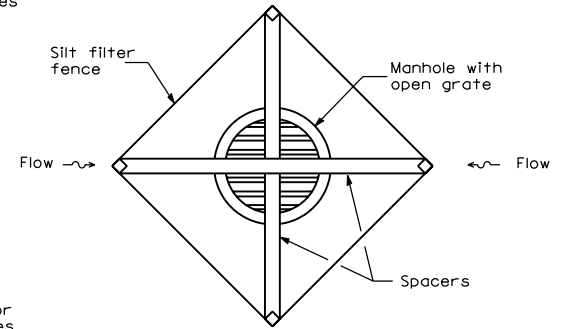
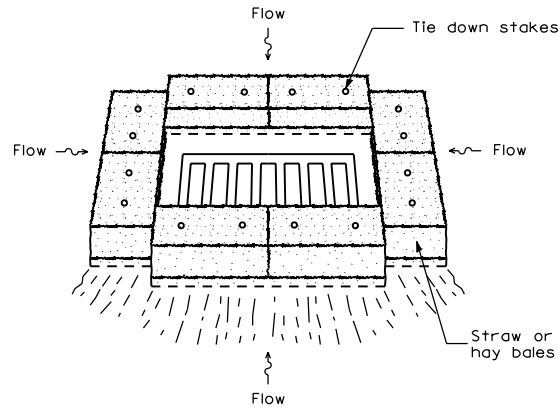
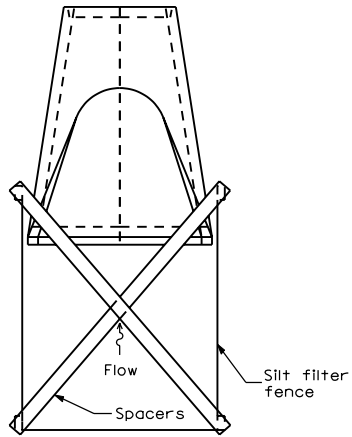
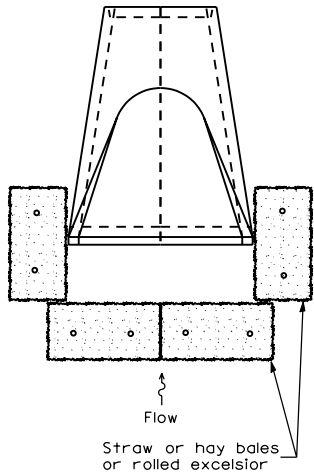
STANDARD 280001-02

Illinois Department of Transportation

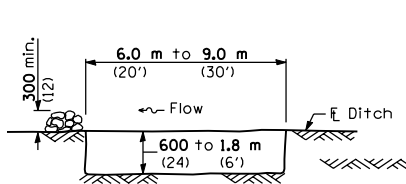
PASSED January 1, 2002
Ron Dinkell
 ENGINEER OF POLICY AND PROCEDURES

APPROVED January 1, 2002
Michael J. Hone
 ENGINEER OF DESIGN AND ENVIRONMENT

ISSUED 1-1-97

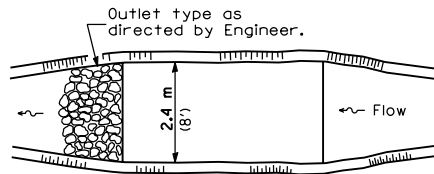


INLET AND PIPE PROTECTION



The performance of the basin will improve if put into a series.

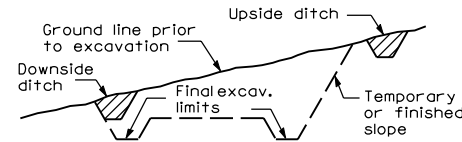
ELEVATION



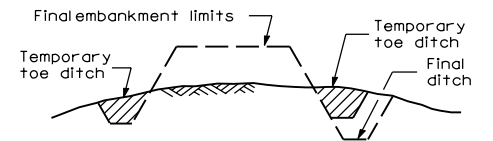
The long dimension should be parallel with the direction of the flow. Accumulated silt shall be removed anytime the basins become 75% filled.

PLAN

SEDIMENT BASIN



TYPICAL CUT CROSS SECTION



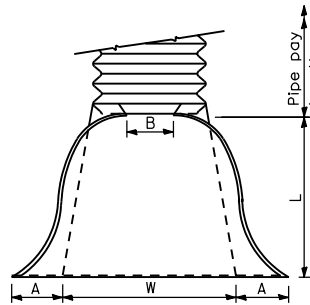
TYPICAL FILL CROSS SECTION

TEMPORARY DITCHES FOR CUT & FILL SECTIONS

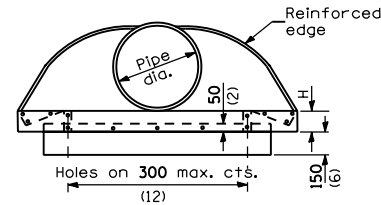
Illinois Department of Transportation	
PASSED January 1, 2002 <i>Ron Dinkell</i> ENGINEER OF POLICY AND PROCEDURES	ISSUED 1-1-97
APPROVED January 1, 2002 <i>Michael J. Hone</i> ENGINEER OF DESIGN AND ENVIRONMENT	

TEMPORARY EROSION CONTROL SYSTEMS (Sheet 3 of 3)
STANDARD 280001-02

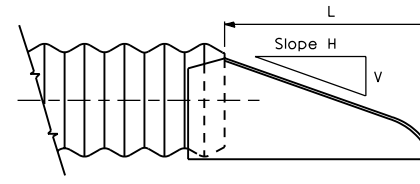
PIPE DIA.	THICK-NESS	DIMENSIONS					SLOPE (Approx.) (V:H)	BODY
		A	B	H	L	W		
		25 ± (1)	(max.)	25 ± (1)	38 ± (1 1/2)	50 ± (2)		
300 (12)	1.63 (0.064)	150 (6)	150 (6)	150 (6)	535 (21)	610 (24)	1:2 1/2	1 Pc.
375 (15)	1.63 (0.064)	180 (7)	205 (8)	150 (6)	660 (26)	760 (30)	1:2 1/2	1 Pc.
450 (18)	1.63 (0.064)	205 (8)	255 (10)	150 (6)	785 (31)	915 (36)	1:2 1/2	1 Pc.
525 (21)	1.63 (0.064)	230 (9)	305 (12)	150 (6)	915 (36)	1,065 m (42'')	1:2 1/2	1 Pc.
600 (24)	1.63 (0.064)	255 (10)	330 (13)	150 (6)	1,040 m (41'')	1,220 m (48'')	1:2 1/2	1 Pc.
750 (30)	2.01 (0.079)	305 (12)	405 (16)	205 (8)	1,295 m (51'')	1,525 m (60'')	1:2 1/2	1 Pc.
900 (36)	2.01 (0.079)	355 (14)	480 (19)	230 (9)	1,525 m (60'')	1,830 m (72'')	1:2 1/2	2 Pc.
1050 (42)	2.77 (0.109)	405 (16)	560 (22)	280 (11)	1,750 m (69'')	2,135 m (84'')	1:2 1/2	2 Pc.
1200 (48)	2.77 (0.109)	455 (18)	685 (27)	305 (12)	1,980 m (78'')	2,285 m (90'')	1:2 1/4	2 Pc.
1350 (54)	2.77 (0.109)	455 (18)	760 (30)	305 (12)	2,135 m (84'')	2,590 m (102'')	1:2	2 Pc.
1500 (60)	2.77 (0.109)	455 (18)	840 (33)	305 (12)	2,210 m (87'')	2,895 m (114'')	1:1 3/4	3 Pc.
1650 (66)	2.77 (0.109)	455 (18)	915 (36)	305 (12)	2,210 m (87'')	3,050 m (120'')	1:1 1/2	3 Pc.
1800 (72)	2.77 (0.109)	455 (18)	990 (39)	305 (12)	2,210 m (87'')	3,200 m (126'')	1:1 1/3	3 Pc.
1950 (78)	2.77 (0.109)	455 (18)	1,065 m (42'')	305 (12)	2,210 m (87'')	3,355 m (132'')	1:1 1/4	3 Pc.
2250 (84)	2.77 (0.109)	455 (18)	1,145 m (45'')	305 (12)	2,210 m (87'')	3,505 m (138'')	1:1 1/6	3 Pc.



PLAN



END VIEW



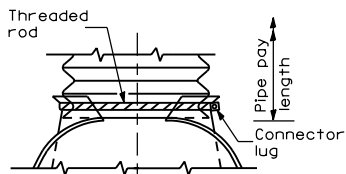
SIDE VIEW

END SECTION

NOTES

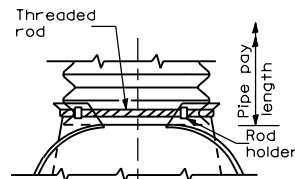
For 1500 mm (60'') thru 2250 mm (84'') sizes, reinforced edges shall be supplemented with stiffener angles. The angles shall be 51x51x6.4 mm (2x2x1/4'') for 1500 mm (60'') thru 1800 mm (72'') diameter and 64x64x6.4 mm (2 1/2x2 1/2x1/4'') for 1950 mm (78'') thru 2250 mm (84'') diameter. The angles shall be attached by M10 (3/8'') rivets or bolts.

All slope ratios are expressed as units of vertical displacement to units of horizontal displacement (V:H).



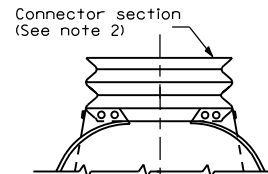
TYPE 1

For 300 (12) thru 600 (24) only (See Note 1)



TYPE 2

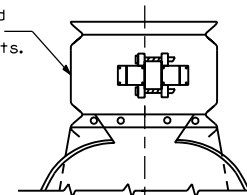
For 750 (30) and 900 (36) only (See Note 1)



TYPE 3

(See Note 2)

Band shop bolted to end section with M10 (3/8'') bolts.



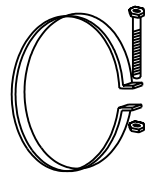
TYPE 4

(See Note 3)

NOTES

- Types 1 and 2 for pipes with annular ends only.
- Type 3 connection can be used for all pipe sizes and includes 300 mm (12'') of the pipe length. The connector section shall be attached to the end section by rivets or bolts and shall be the same metal thickness as the end section. Stub shall be either 68 mm (2 2/3'') pitch x 13 mm (1/2'') depth or 75 mm (3'') pitch x 25 mm (1'') depth annular corrugated pipe.
- Type 4 connection can be used for all pipe sizes. Coupler shall be 68 mm x 13 mm (2 2/3'') x (1/2'') dimple, hugger, or annular band of 75 mm x 25 mm (3'') x (1''). The dimple, hugger, or annular band may be used with corrugated metal pipes having annular ends. For corrugated metal pipes having helical ends, only the dimple band will be allowed.

All dimensions are in millimeters (inches) unless otherwise shown.



ALTERNATE STRAP CONNECTOR

(For Type 1 only)

29 (1) Wide, 2.77 (0.109) thick strap with standard M12x150 (1/2x6) band bolt and nut.

CONNECTIONS OF END SECTIONS

DATE	REVISIONS
1-1-97	Renum. Standard 2228-5.
6-15-94	Moved 3 Notes to specs. Added Metric.

METAL END SECTION FOR PIPE CULVERTS

STANDARD 542401

Illinois Department of Transportation

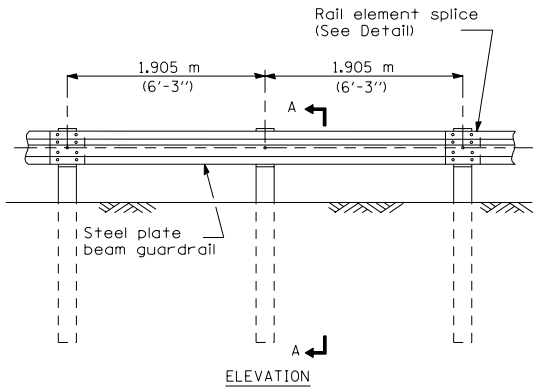
PASSED January 1, 1997

ISSUED 76-1-1-197

ENGINEER OF POLICY AND PROCEDURES

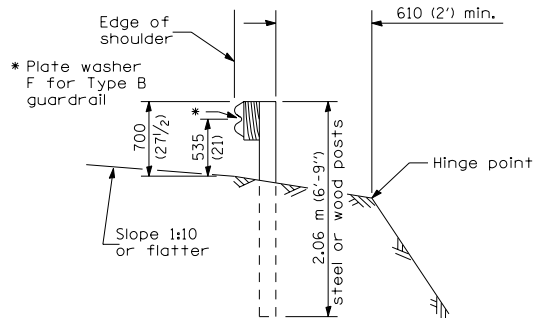
APPROVED January 1, 1997

ENGINEER OF DESIGN AND ENVIRONMENT

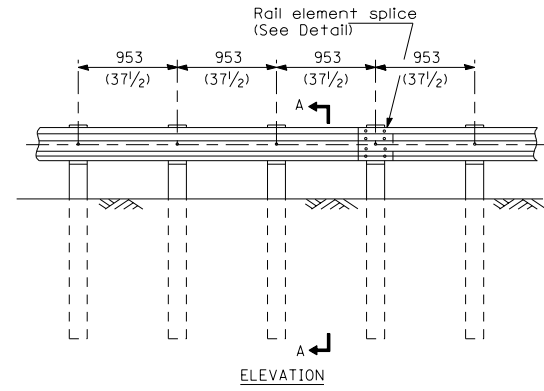


TYPE A

1.905 m (6'-3") Typical post spacing

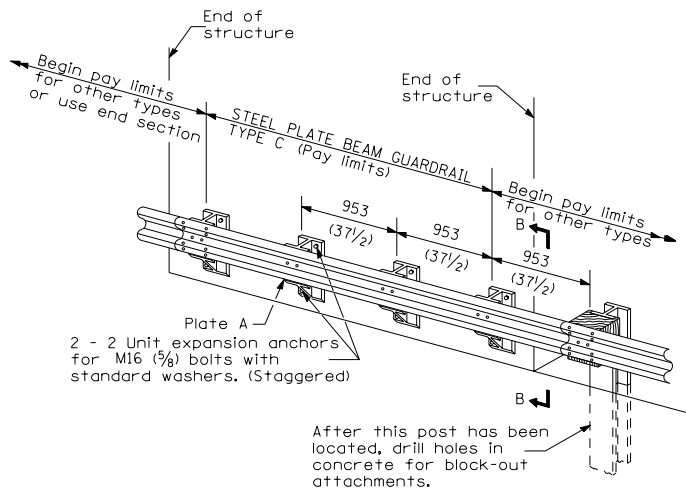


SECTION A-A



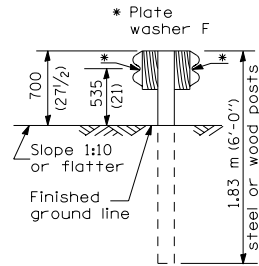
TYPE B

953 (37 1/2) Closed post spacing

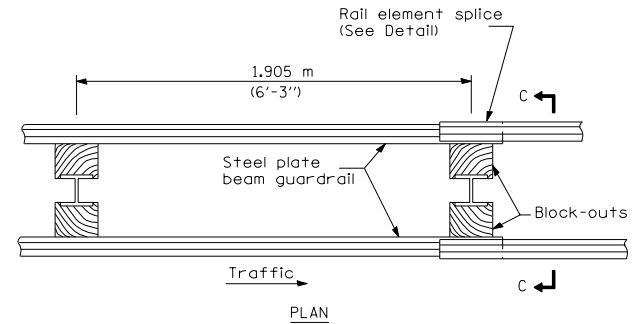


TYPE C

953 (37 1/2) Block-out spacing

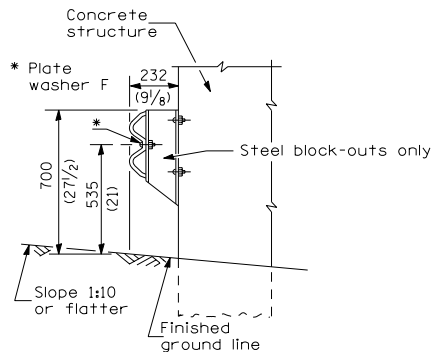


SECTION C-C



TYPE D

Double steel plate beam guardrail
1.905 m (6'-3") typical post spacing



SECTION B-B

GENERAL NOTES

All slope ratios are expressed as units of vertical displacement to units of horizontal displacement (V:H).

All dimensions are in millimeters (inches) unless otherwise shown.

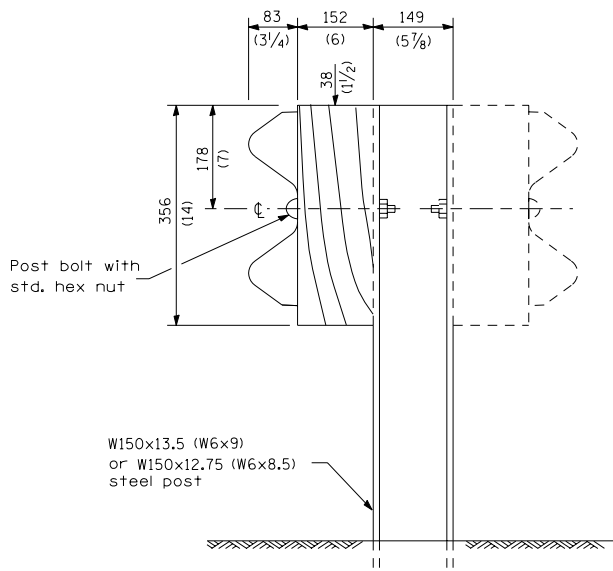
Illinois Department of Transportation	
PASSED	January 1, 2005
Michael Beard ENGINEER OF POLICY AND PROCEDURES	
APPROVED	January 1, 2005
Michael J. Huse ENGINEER OF DESIGN AND ENVIRONMENT	
ISSUED	1-1-97

DATE	REVISIONS
1-1-05	Rev. post in impenious material on sheet 4.
10-1-02	Added min. spacing from guardrail post to shoulder hinge point.

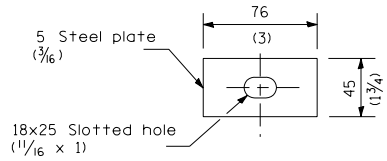
STEEL PLATE BEAM GUARDRAIL

(Sheet 1 of 4)

STANDARD 630001-05



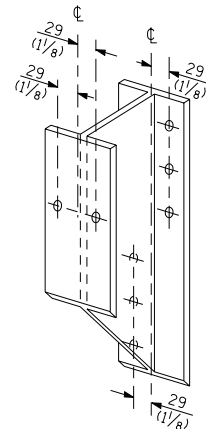
STEEL POST CONSTRUCTION



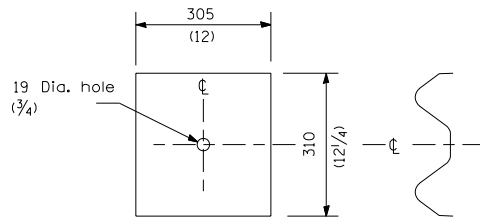
NOTE

Plate washer F shall be used on type A guardrail only where specified. Plate washer F shall be used at all other locations where rail element is bolted to a block-out unless otherwise noted.

PLATE WASHER F



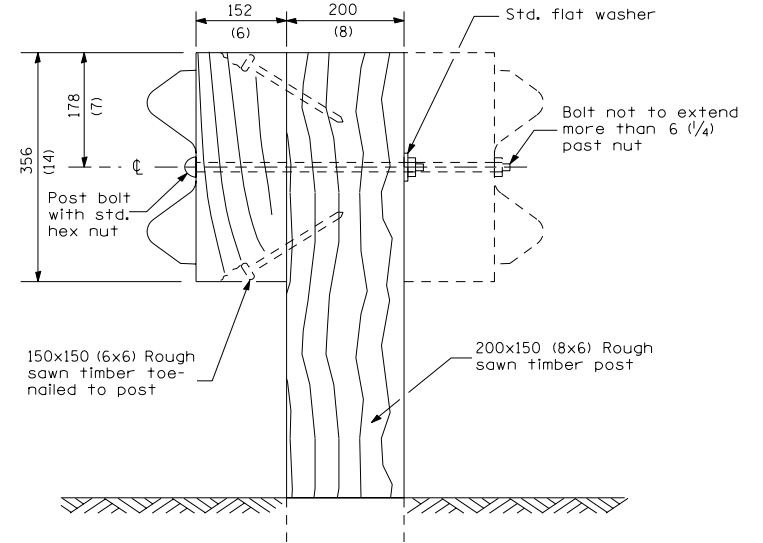
STEEL BLOCK-OUT DETAIL



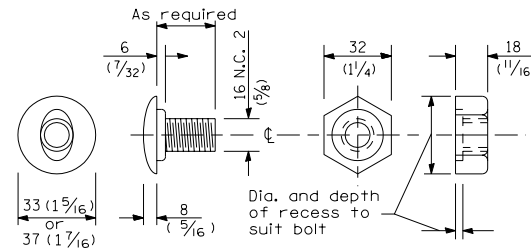
NOTE

Plate A shall be placed between rail element and block-out at non-splice mounting points only when steel block-outs are used.

PLATE A

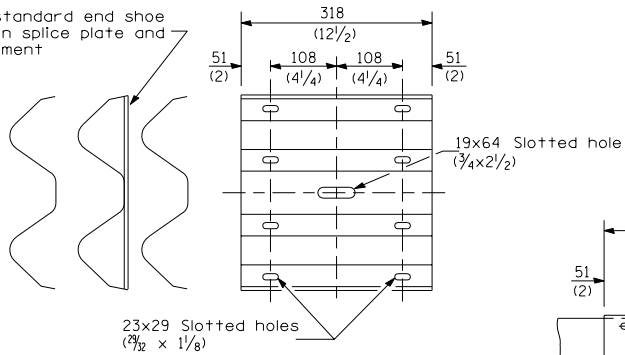


WOOD POST CONSTRUCTION

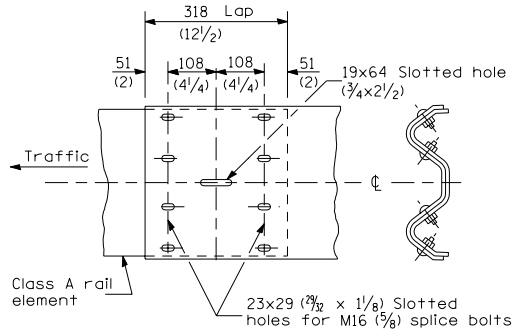


POST OR SPLICE BOLT & NUT

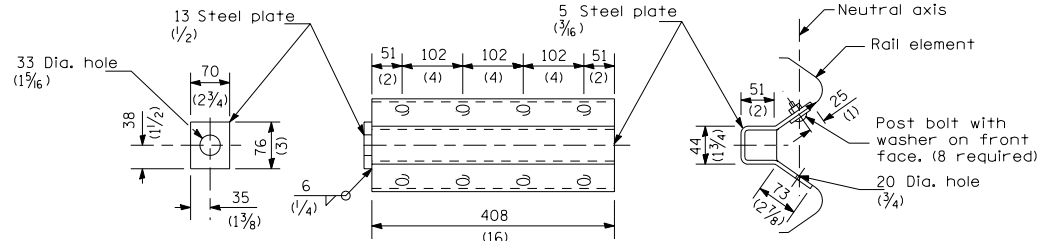
Place standard end shoe between splice plate and rail element



SPLICE PLATE

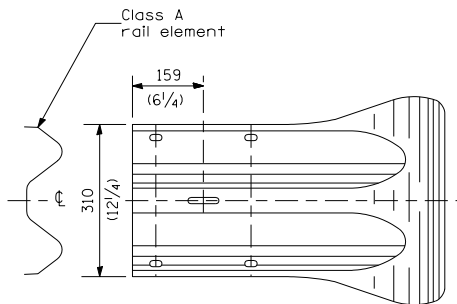
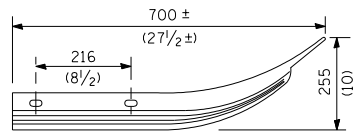


RAIL ELEMENT SPLICE

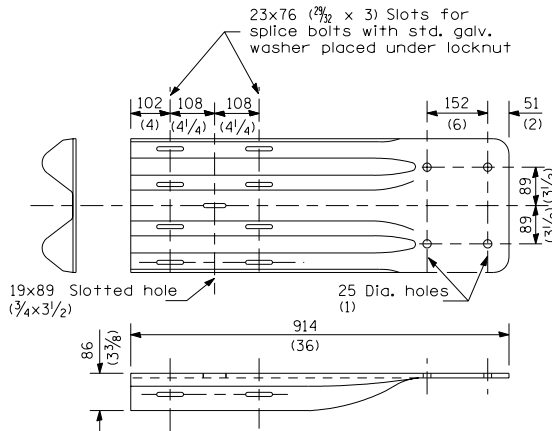


NOTE
Anchor plate T shall be used to attach cable assembly to guardrail when required on traffic barrier terminals.

ANCHOR PLATE T DETAILS



END SECTION



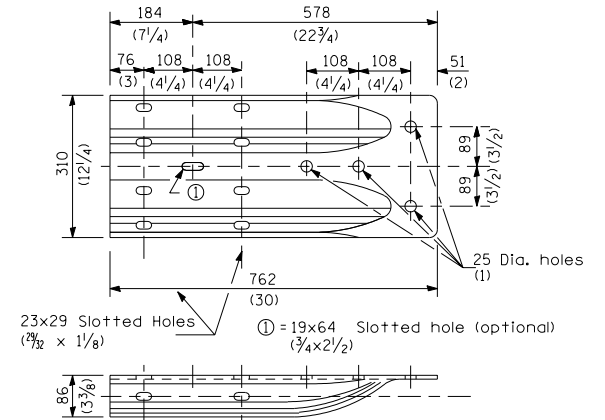
NOTE

When end shoe is attached to a bridge parapet which has an expansion joint, the bolts shall be provided with a locknut or double nut and shall be tightened only to a point that will allow guardrail movement.

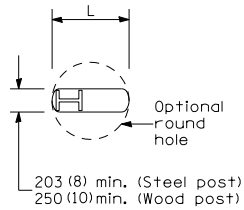
The standard end shoe shall be attached to the concrete with pre-drilled or self-drilling anchor bolts. The anchor cone shall be set flush with the surface of the concrete.

Externally threaded studs protruding from the surface of the concrete will not be permitted.

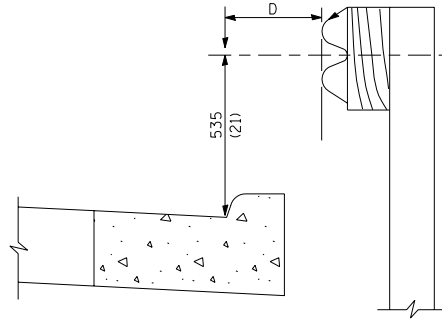
END SHOE



ALTERNATE END SHOE



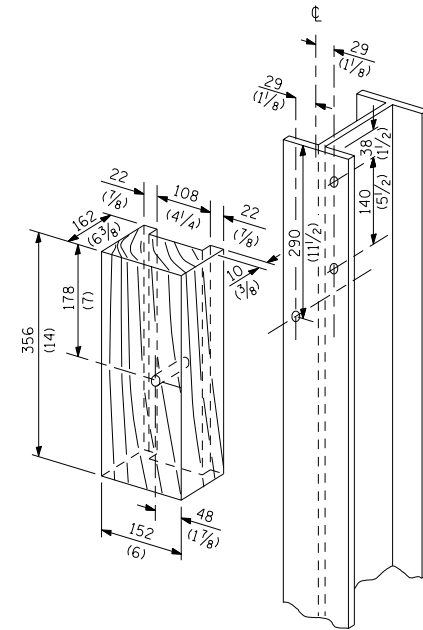
PLAN



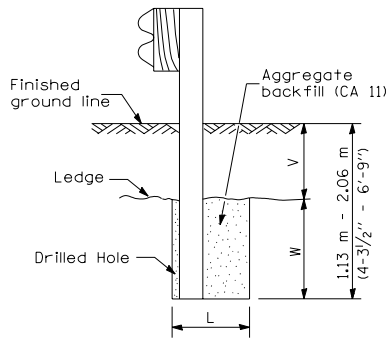
Note:
If it is necessary for D to be more than 300 (12) and less than 3.0 m (10'-0") type M-5 (M-2) curb and gutter (Std. 60600) shall be used in front of and in advance of the guardrail.

GUARDRAIL PLACED BEHIND CURB

(D = 0 desirable to 300 (12) maximum)



WOOD BLOCK-OUT AND STEEL POST DETAILS

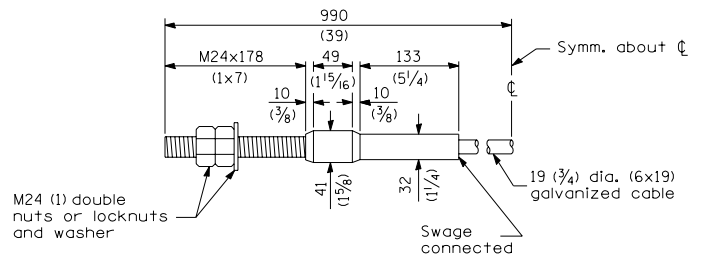


Note:
Ledge line is top of rock ledge or hard slag fill.

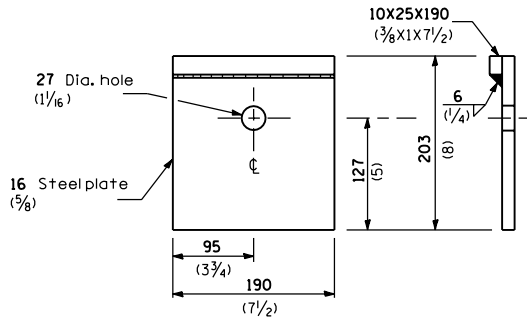
ELEVATION

FOOTING FOR POST WHEN IMPERVIOUS MATERIAL IS ENCOUNTERED

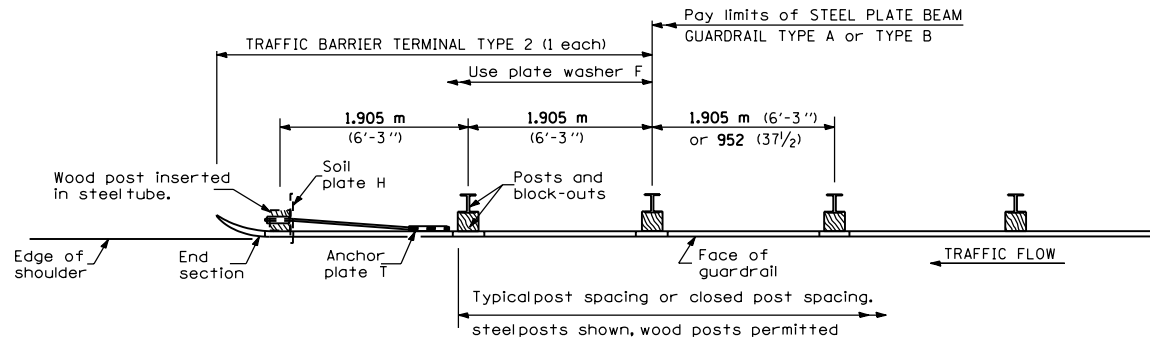
V	W	L	
		Steel Post	Wood Post
0 - 460 (0 - 18)	610 (24)	530 (21)	580 (23)
>460 - 825 (>18 - 41.5)	305 (12)	203 (8)	250 (10)
>825 - 1.13 m (>41.5 - 53.5)	305 - 0 (12 - 0)	203 (8)	250 (10)



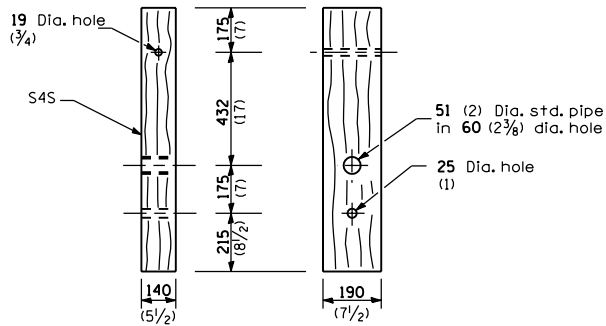
CABLE ASSEMBLY
(18,100 kg (40,000 lbs.) min. breaking strength)
Tighten to taut tension.



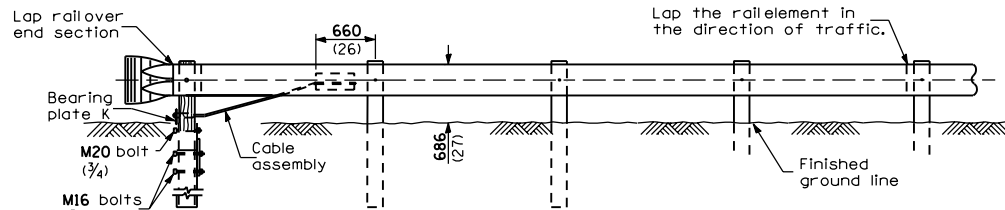
BEARING PLATE K



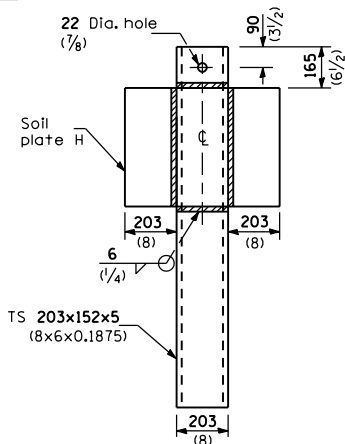
PLAN



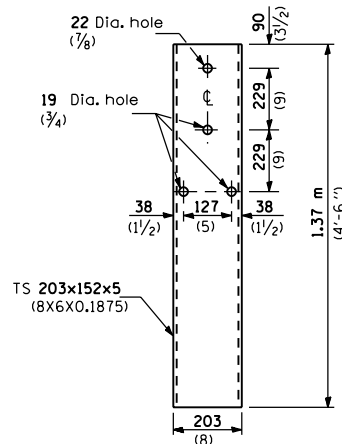
WOOD POST



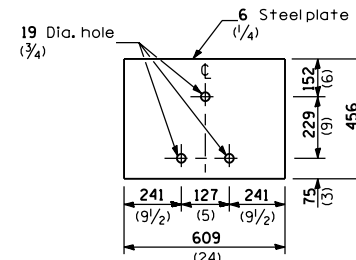
ELEVATION



ALTERNATE SOIL PLATE CONNECTION



STEEL TUBE



SOIL PLATE H

GENERAL NOTES

See Standard 630001 for details of guardrail not shown.

Use plate washer F at all posts.

The bearing plate K shall be held in position by (2) two eight penny nails driven into the post and bent over the top of the plate.

All dimensions are in millimeters (inches) unless otherwise shown.

DATE	REVISIONS
1-1-00	Del. Plate A.
10-1-98	Revised to wooden block-out.

TRAFFIC BARRIER TERMINAL TYPE 2

STANDARD 631011-02

Illinois Department of Transportation
 PASSED January 1, 2000
 ENGINEER OF POLICY AND PROCEDURES
 APPROVED January 1, 2000
 ENGINEER OF DESIGN AND ENVIRONMENT