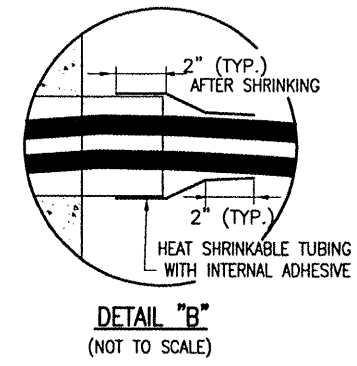
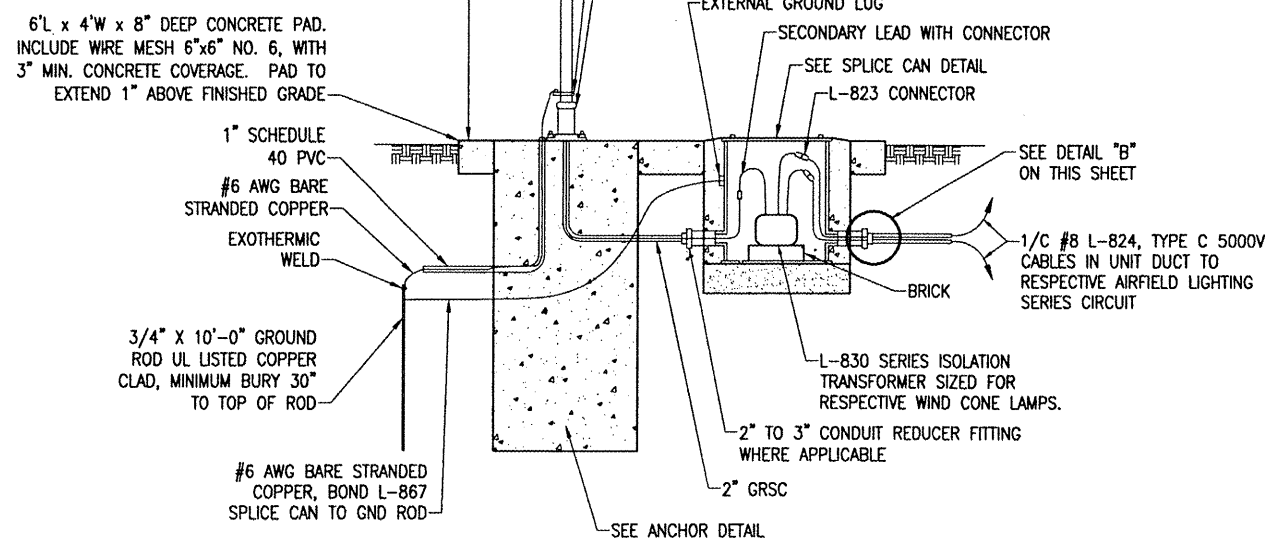


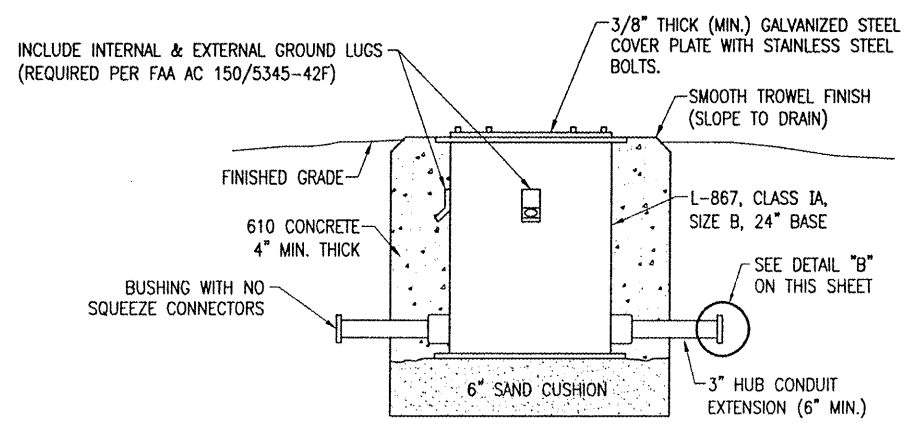
ANCHORING DETAIL
"NOT TO SCALE"



NOTES

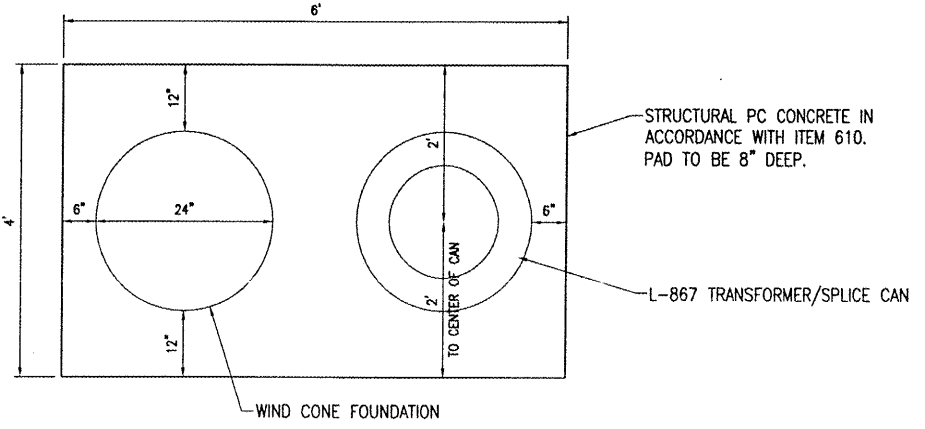
1. WIND CONES SHALL INCLUDE CONSTANT-BRIGHTNESS SERIES CIRCUIT POWER ADAPTER. SEE SPECIAL PROVISION SPECS.
2. WIND CONES SHALL BE PAID FOR UNDER ITEM AR107408 L-806 WIND CONE - 8' LIGHTED PER EACH.

EXTERNALLY LIGHTED L806 WIND CONE (SERIES CIRCUIT TYPE)
"NOT TO SCALE"



SPLICE CAN DETAIL
(NOT TO SCALE)

INCLUDE INTERNAL AND EXTERNAL GROUND LUGS



CONCRETE PAD PLAN VIEW
(NOT TO SCALE)

BY	
REVISION	
DATE	

ST. LOUIS REGIONAL AIRPORT

St. Louis Regional Airport

EAST ALTON, ILLINOIS

IL. PROJ.: ALN-3825 A.I.P. PROJ.: 3-17-0002-B42

HEI Project No.	83706RWYD_0800
Filename	E-502.DWG
Scale	NOT TO SCALE
Date	07/09/08
LAYOUT	KNL 07/07/08
DRAWN	MV 07/07/08
REVIEWED	CAH 07/11/08

HANSON

Hanson Professional Services Inc.
1525 South Sixth Street
Springfield, Illinois 62703-2886
Offices Nationwide

RUNWAY SAFETY AREA IMPROVEMENTS

WIND CONE ELEVATION DETAIL

FEB 11, 2009 7:49 AM HAGL000362
F:\AIRPORTS\STLOUIS\837-06RWYD\AIRPORT\SHEETS\E-502.DWG - ELEC DETAILS