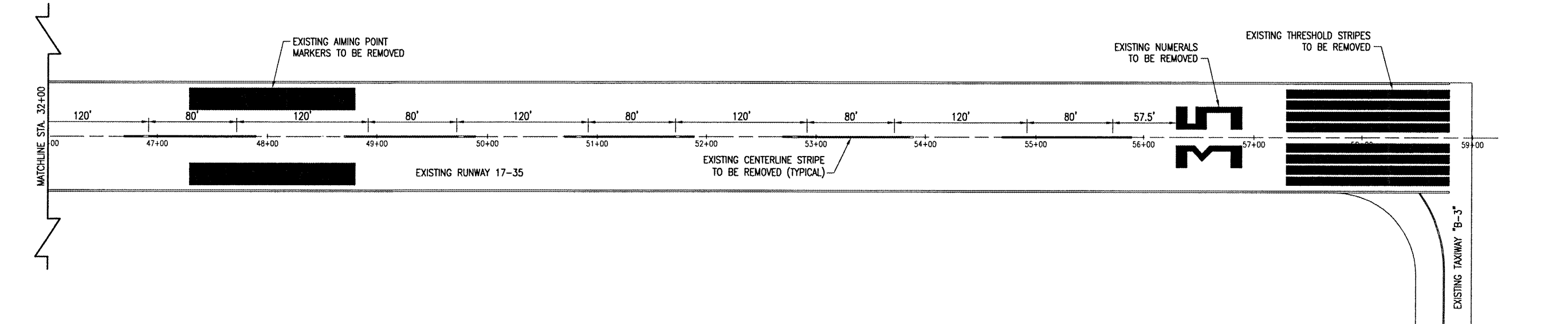
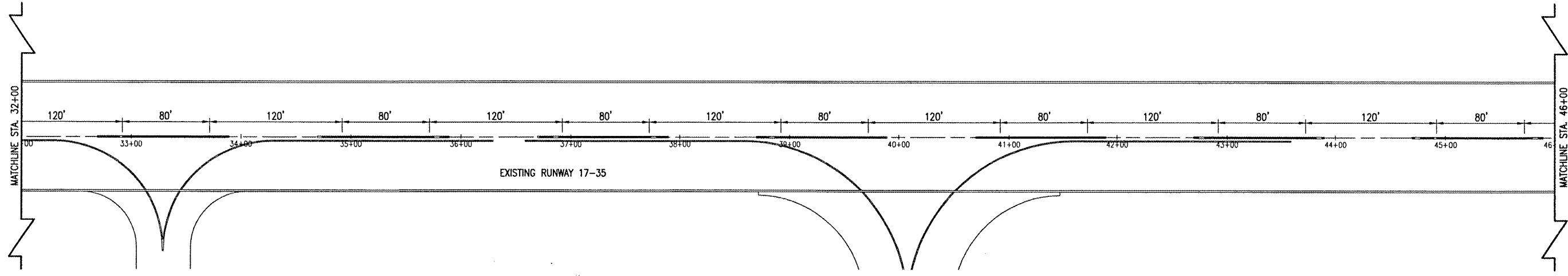


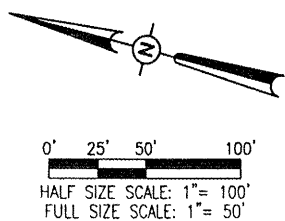
FEB 11, 2009 7:50 AM HAGL000382  
 I:\AIRPORTS\STLOUIS\B37-06RWYD\AIRPORT\SHEETS\R-151MRK.DWG - STA. 32+00 TO STA. 59+00

SR085



MARKING REMOVAL QUANTITIES			
DESCRIPTION	UNIT AREA	NO. REQUIRED	TOTAL AREA
THRESHOLD STRIPE	1,200	8	9,600
NUMERAL 3	634	1	634
NUMERAL 5	750	1	750
AIMING POINT MARKER	3,000	4	12,000
CENTERLINE STRIPE	120	27	3,240
CENTERLINE STRIPE	154.5	1	154.5
CENTERLINE STRIPE	180	1	180
EDGE STRIPE	30	2	60
TOTAL WHITE			26,618.5 S.F.
TAXIWAY CENTERLINE	86	1	86
TOTAL YELLOW			86 S.F.
TOTAL MARKING			26,704.5 S.F.

- LEGEND**
- EXISTING IMPROVEMENTS
  - PROPOSED PAVEMENT REMOVAL
  - EXISTING PAVEMENT MARKING
  - EXISTING MARKING TO BE REMOVED



DATE	REVISION	BY

ST. LOUIS REGIONAL AIRPORT  
  
 EAST ALTON, ILLINOIS  
 A.I.P. PROJ.: 3-17-0002-B42  
 IL PROJ.: ALN-3825

ILL. Project No. 83706RWYD_0800 Extension R-151MRK.DWG Scale 1"=50' Date 02/12/08	LAYOUT MDR 02/12/08 DRAWN MDR 02/12/08 REVIEWED CAH 07/17/08
--	--

**HANSON**  
 Hanson Professional Services Inc.  
 1525 South Sixth Street  
 Springfield, Illinois 62703-2886  
 Offices Nationwide

**RUNWAY SAFETY AREA IMPROVEMENTS**  
 EXISTING PAVEMENT MARKING REMOVAL  
 STA. 32+00 TO STA. 59+00