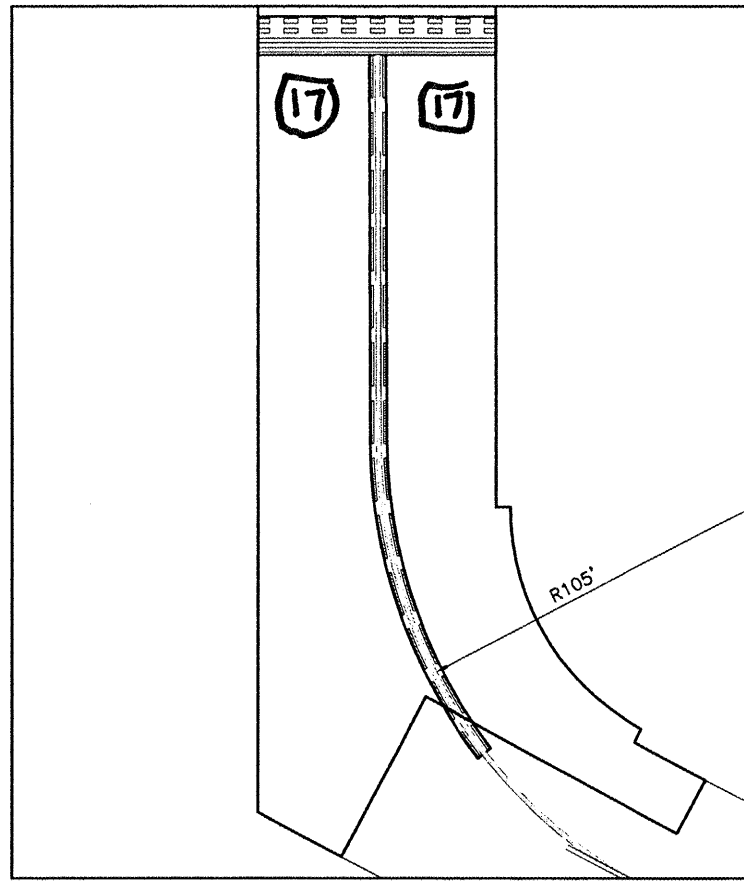
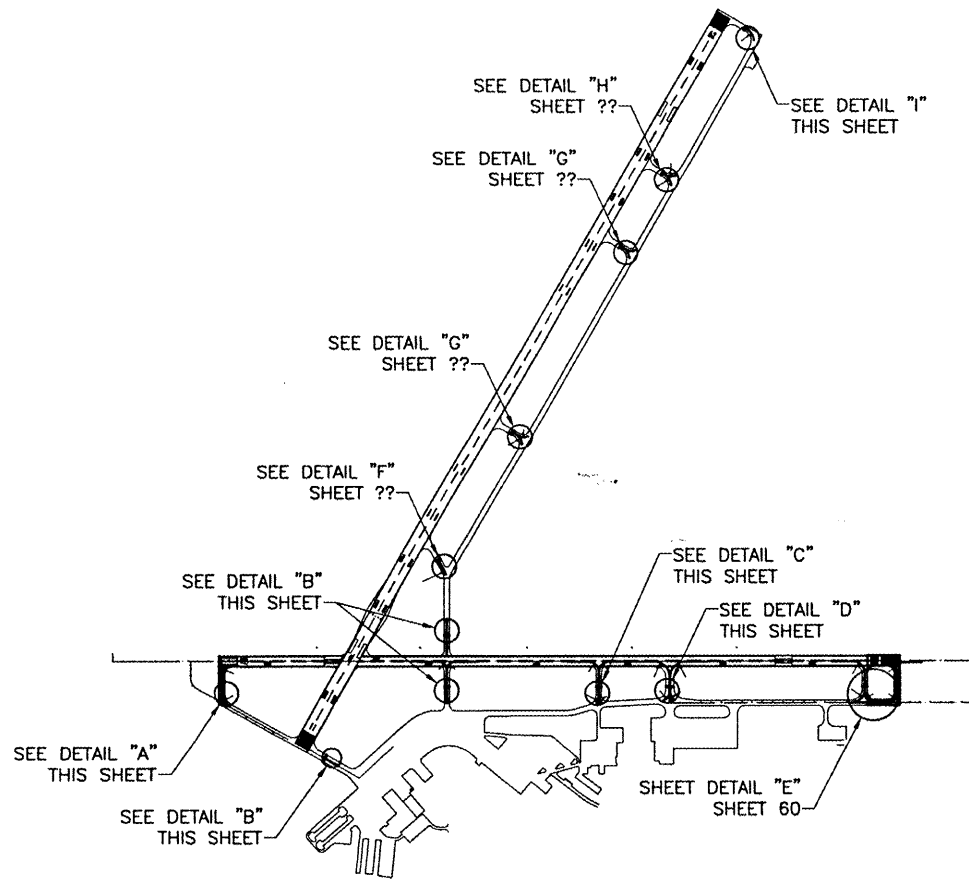
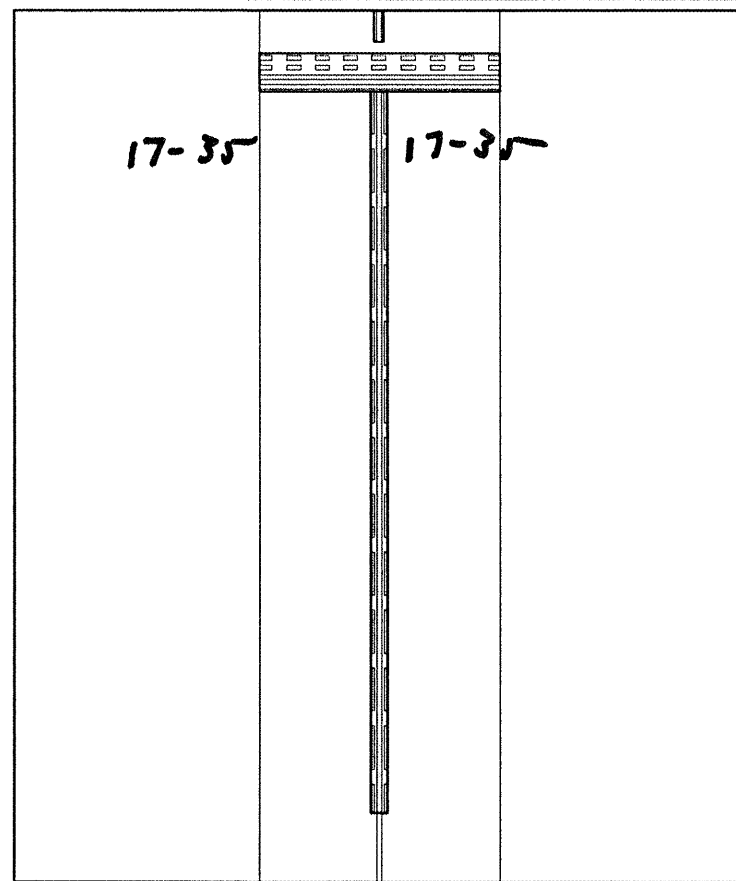


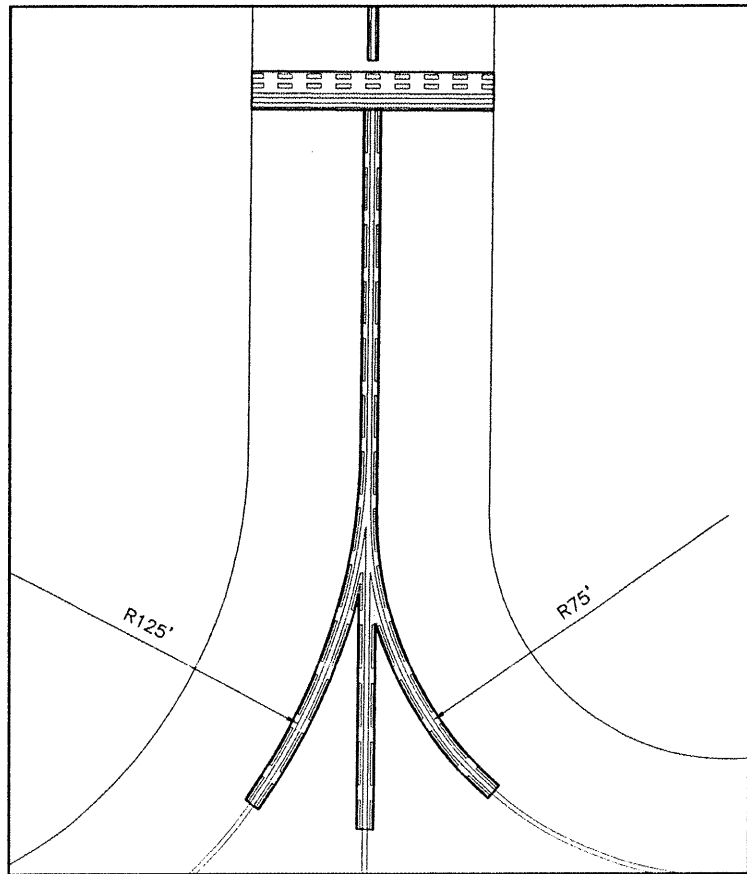
FEB 11, 2009 7:51 AM HAGL000382  
 \\A:\AIRPORTS\STLOUIS\B37-06RWYD\AIRPORT\ SHEETS\R-152MRK.DWG - TWP, C, AND A



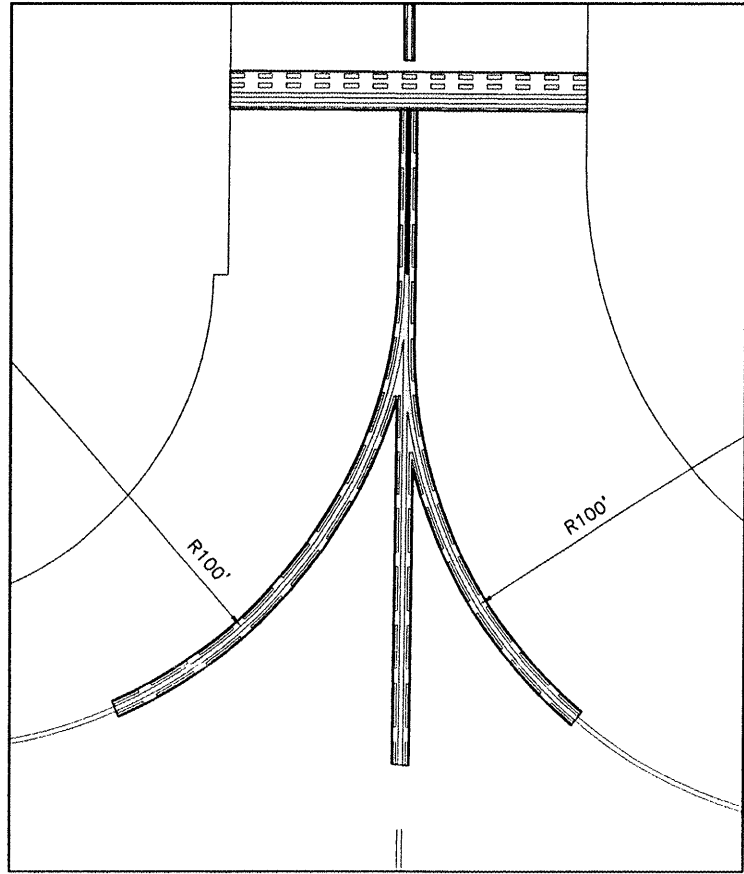
DETAIL "A"  
 "NOT TO SCALE"



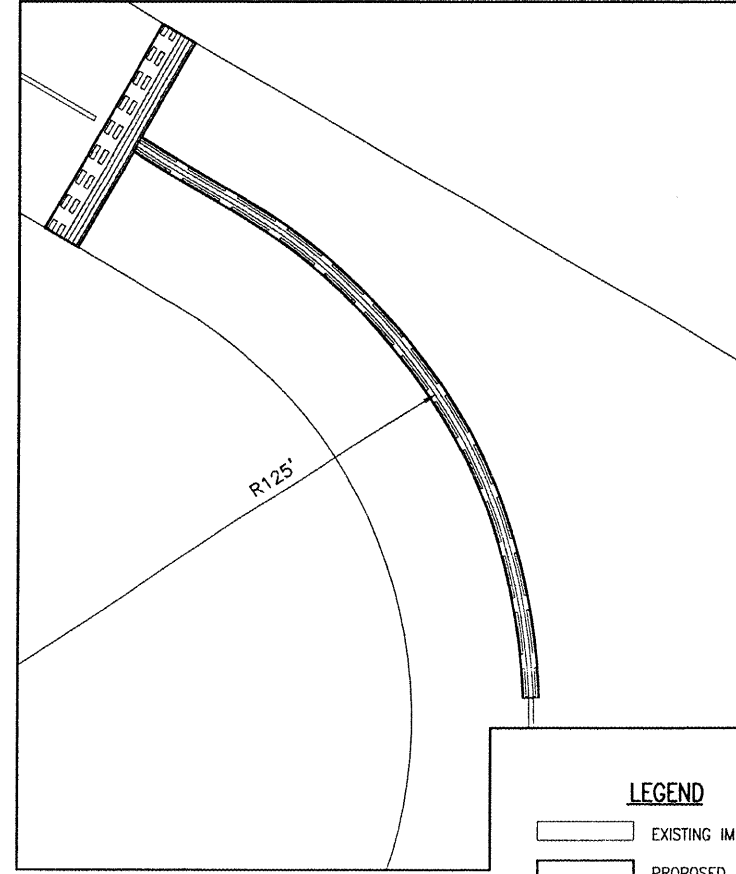
DETAIL "B"  
 "NOT TO SCALE"



DETAIL "C"  
 "NOT TO SCALE"



DETAIL "D"  
 "NOT TO SCALE"



DETAIL "I"  
 "NOT TO SCALE"

- LEGEND**
- EXISTING IMPROVEMENTS
  - PROPOSED PAVEMENT
  - PROPOSED PAVEMENT MARKING

SR085

DATE	REVISION	BY

ST. LOUIS REGIONAL AIRPORT  
  
 EAST ALTON, ILLINOIS  
 I.L. PROJ.: ALN-3825 A.I.P. PROJ.: 3-17-0002-B42

H&E Project No. 83208RWYD 0800	LAYOUT	MDR	02/12/08
Flare No. R-152MRK.DWG	DRAWN	MDR	02/12/08
Scale 1"=50'	REVIEWED	CAH	07/11/08
Date 02/12/08			

**HANSON**  
 Hanson Professional Services Inc.  
 1525 South Sixth Street  
 Springfield, Illinois 62703-2886  
 Offices Nationwide

RUNWAY SAFETY AREA IMPROVEMENTS  
 PROPOSED TAXIWAY ENHANCED MARKING DETAILS, SHEET 1