

CODE NUMBER	PAY ITEM	UNIT	TOTAL	CONSTRUCTION CODE	
				0014 90% / 10% FED / STATE	0014 100% MISSOURI
67100100	MOBILIZATION	L SUM	1	0.5	0.5
70100700	TRAFFIC CONTROL AND PROTECTION, STANDARD 701406	L SUM	1	0.5	0.5
X7010410	SPEED DISPLAY TRAILER	CAL MO	2	1	1
X5870015	BRIDGE DECK CONCRETE SEALER	SQ FT	294,462	147,231	147,231

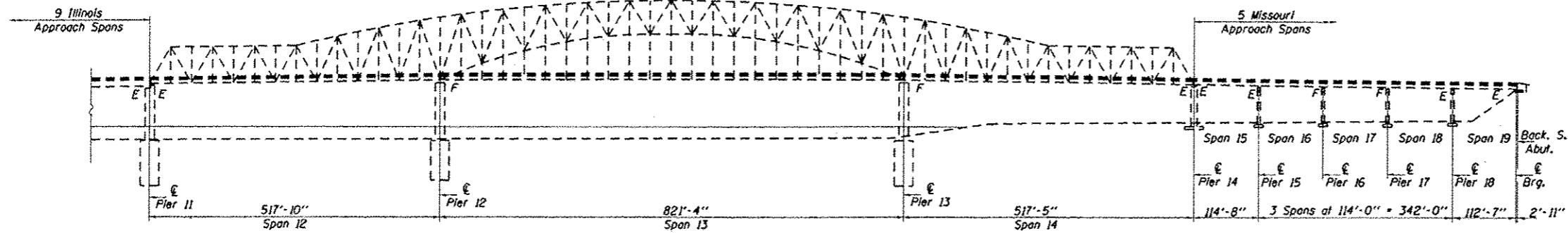
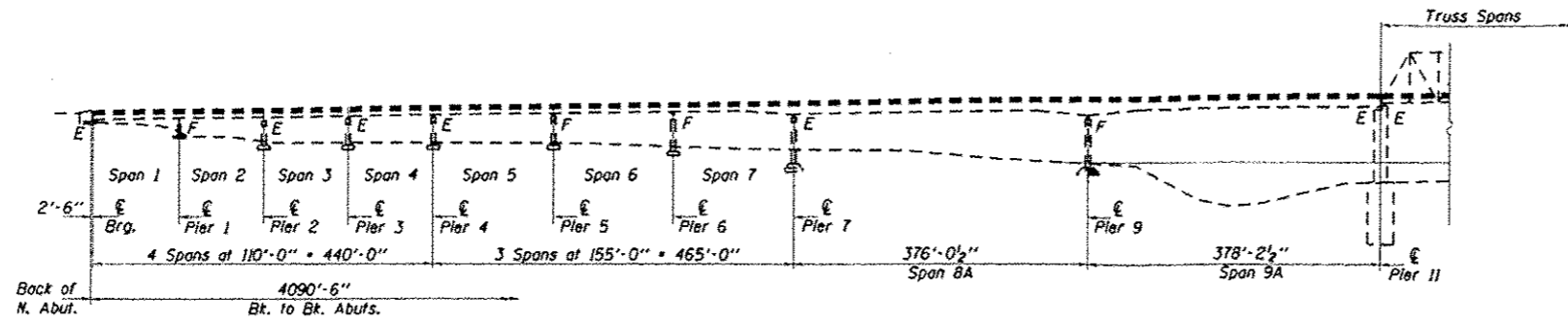
294,462



⚠️ REVISED 4-10-15

STATE OF ILLINOIS
DEPARTMENT OF TRANSPORTATION

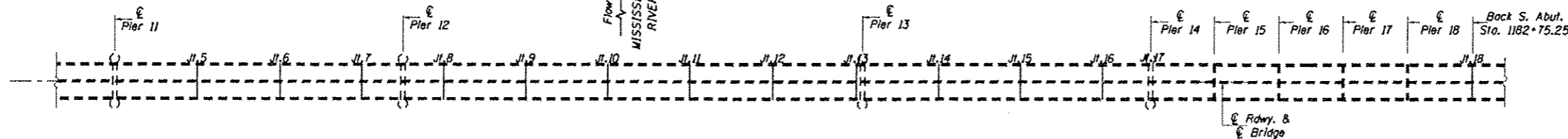
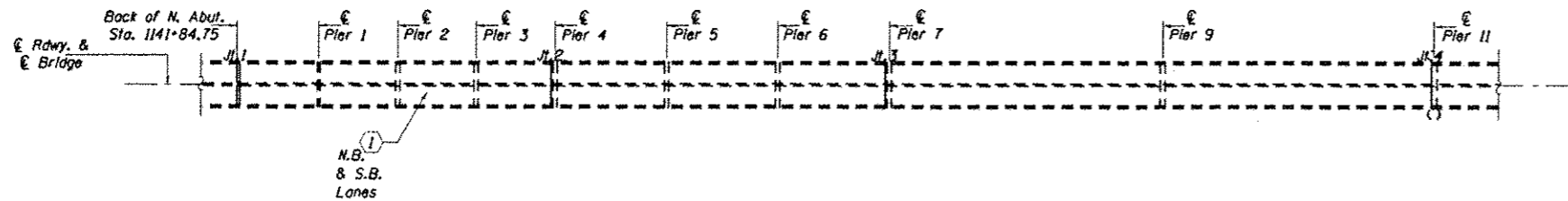
Notes: (1) Apply Bridge Deck Concrete Sealer to deck surface and inside face of parapets.



ELEVATION
(Looking East)

BILL OF MATERIAL

ITEM	UNIT	QUANTITY
Bridge Deck Concrete Sealer	Sq. Ft.	294,462



PLAN

**GENERAL PLAN
AND ELEVATION
BRIDGE REPAIRS
F.A.I. 57 OVER MISSISSIPPI RIVER
SEC. D9 DECK SEAL 2015-2
ALEXANDER COUNTY
S.N. 002-0022**

△ REVISED 4-10-15

FILE NAME	USER NAME	DESIGNED	REVISOR	STATE OF ILLINOIS DEPARTMENT OF TRANSPORTATION	GENERAL PLAN AND ELEVATION	F.A.I. RTE.	SECTION	COUNTY	TOTAL SHEETS	SHEET NO.	
		DRAWN	REVISOR			57	D9 DECK SEAL 2015-2	ALEXANDER	5	4	
		CHECKED	REVISOR			CONTRACT NO. 78451					
		DATE	REVISOR			ILLINOIS FED. AID PROJECT					
					SCALE:	SHEET NO.	OF SHEETS	STA.	TO STA.		