

STATE OF ILLINOIS
DEPARTMENT OF TRANSPORTATION
DIVISION OF HIGHWAYS

**PROPOSED
HIGHWAY PLANS**

F.A.I. ROUTE 57 (I-57) NB & SB
SECTION: D9 DECK SEAL 2015-2
ALEXANDER COUNTY
C-99-016-15

PROJECT: ACNHPP - 0057 (315)

F.A.I. RTE.	SECTION	COUNTY	TOTAL SHEETS	SHEET NO.
57	D9 DECK SEAL 2015-2	ALEXANDER	5	1
		ILLINOIS	CONTRACT NO. 78451	

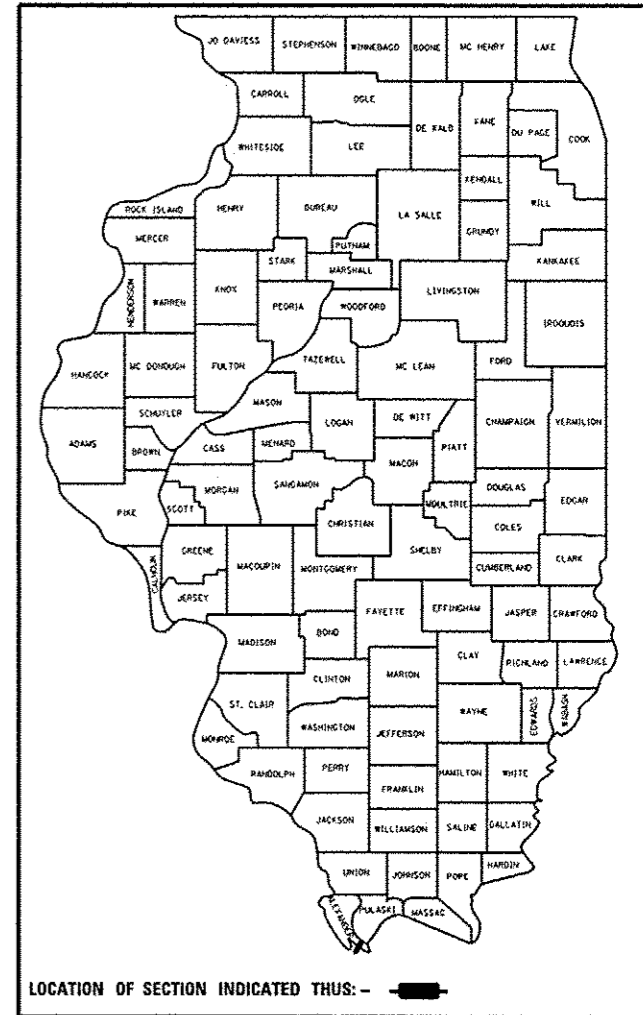
FOR INDEX OF SHEETS, SEE SHEET NO. 2
FOR SUMMARY OF QUANTITIES, SEE SHEET NO. 3

TRAFFIC DATA

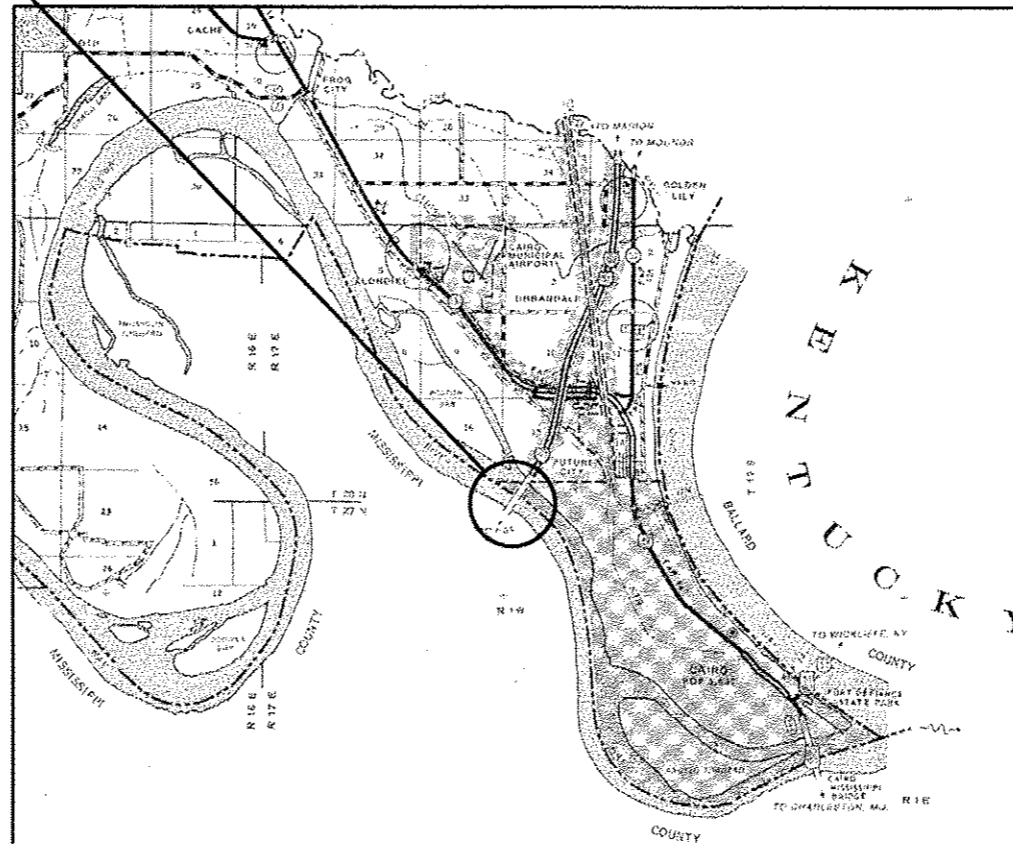
I-57 TRAFFIC DATA

2013 ADT = 9,500
31% TRUCKS

D-99-011-15



EXISTING STRUCTURE NO. 002-0022
FAI 57 (I-57 NB & SB)



SN 002-0022
NET LENGTH OF PROJECT = 4090'-6"

J.U.L.I.E.
JOINT UTILITY LOCATION INFORMATION FOR EXCAVATION
1-800-892-0123
OR 811

PROJECT ENGINEER: DAVID PICHE (618) 351-5227
DESIGNER: T. WAYNE HALSTEAD (618) 351-5228

CONTRACT NO. 78451

STATE OF ILLINOIS
DEPARTMENT OF TRANSPORTATION
DIVISION OF HIGHWAYS

SUBMITTED January 8 20 15
Jeffrey Keiser
DEPUTY DIRECTOR OF HIGHWAYS, REGION ENGINEER

Mar 20 20 15
John D. Baranzelli P.E.
ENGINEER OF DESIGN AND ENVIRONMENT

Mar 20 20 15
Omer Osman P.E.
DIRECTOR OF HIGHWAYS/CHIEF ENGINEER

PRINTED BY THE AUTHORITY
OF THE STATE OF ILLINOIS

FILE NAME: P:\A\112848\BID\TEC\Illinois\pwp\DOT Documents\DOT Office\District 9\Projects\78451\ACQData\CAD\Drawings\78451-dht-plen.dgn

GENERAL NOTES

1) COMMITMENTS: NONE AS OF JANUARY 30, 2015.

INDEX OF SHEETS

- 1 COVER SHEET
- 2 INDEX OF SHEETS, GENERAL NOTES, STANDARDS
- 3 SUMMARY OF QUANTITIES
- 4 GENERAL PLAN AND ELEVATION
- 5 STAGING DETAILS

STANDARDS

- 000001-06 STANDARD SYMBOLS, ABBREVIATIONS AND PATTERNS
- 701101-04 OFF-ROAD, MULTILANE 15' TO PAVEMENT EDGE
- 701106-02 OFF-ROAD, MULTILANE MORE THAN 15' AWAY
- 701400-08 APPROACH TO LANE CLOSURE FREEWAY/EXPRESSWAY
- 701406-09 LANE CLOSURE FREEWAY/EXPRESSWAY, DAY OPERATIONS ONLY
- 701901-04 TRAFFIC CONTROL DEVICES

REVISIONS
 1. 11/11/15
 2. 11/11/15
 3. 11/11/15
 4. 11/11/15

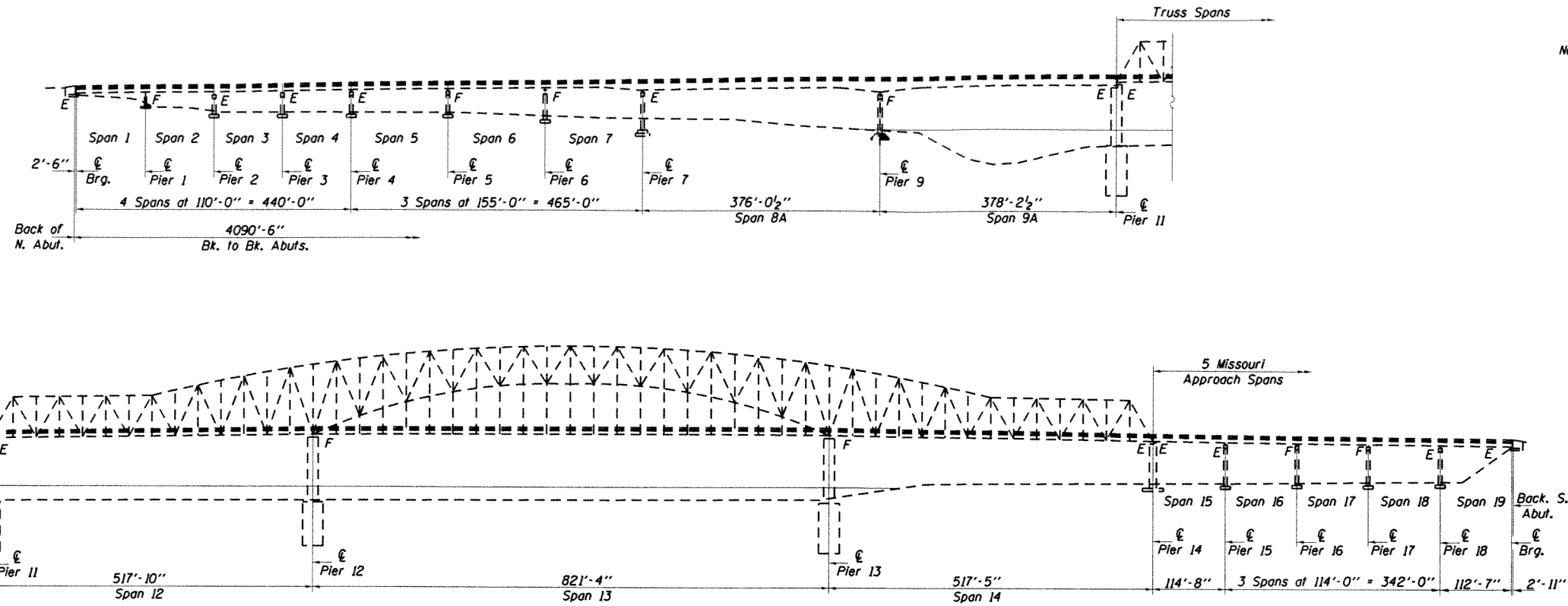
Prepared By:	<i>[Signature]</i> DISTRICT STUDIES & PLANS ENGINEER
Examined By:	<i>[Signature]</i> DISTRICT LAND ACQUISITION ENGINEER
Examined By:	<i>[Signature]</i> DISTRICT PROGRAM DEVELOPMENT ENGINEER
Examined By:	<i>[Signature]</i> DISTRICT OPERATIONS ENGINEER
Examined By:	<i>[Signature]</i> DISTRICT PROJECT IMPLEMENTATION ENGINEER
Examined By:	<i>[Signature]</i> DISTRICT CONSTRUCTION ENGINEER
Examined By:	<i>[Signature]</i> DISTRICT MATERIALS ENGINEER

FILE NAME: c:\p\...
 USER: halstead

USER NAME: halstead DESIGNED: - DRAWN: - CHECKED: - PLOT SCALE: 100.0000 / in PLOT DATE: 1/6/2015	REVISED: - REVISED: - REVISED: - REVISED: -	STATE OF ILLINOIS DEPARTMENT OF TRANSPORTATION	INDEX OF SHEETS, GENERAL NOTES AND STANDARDS	F.A.I. SECTION COUNTY TOTAL SHEETS SHEET NO. 57 09 DECK SEAL 2015-2 ALEXANDER 5 2 CONTRACT NO. 78451 ILLINOIS FED. AID PROJECT
--	--	---	---	---

CODE NUMBER	PAY ITEM	UNIT	TOTAL	CONSTRUCTION CODE	
				0014	0014
				90% / 10% FED / STATE	100% MISSOURI
67100100	MOBILIZATION	L SUM	1	0.5	0.5
70100700	TRAFFIC CONTROL AND PROTECTION, STANDARD 701406	L SUM	1	0.5	0.5
X7010410	SPEED DISPLAY TRAILER	CAL MO	2	1	1
X5870015	BRIDGE DECK CONCRETE SEALER	SQ FT	32.718	16,359	16,359

STATE OF ILLINOIS
DEPARTMENT OF TRANSPORTATION

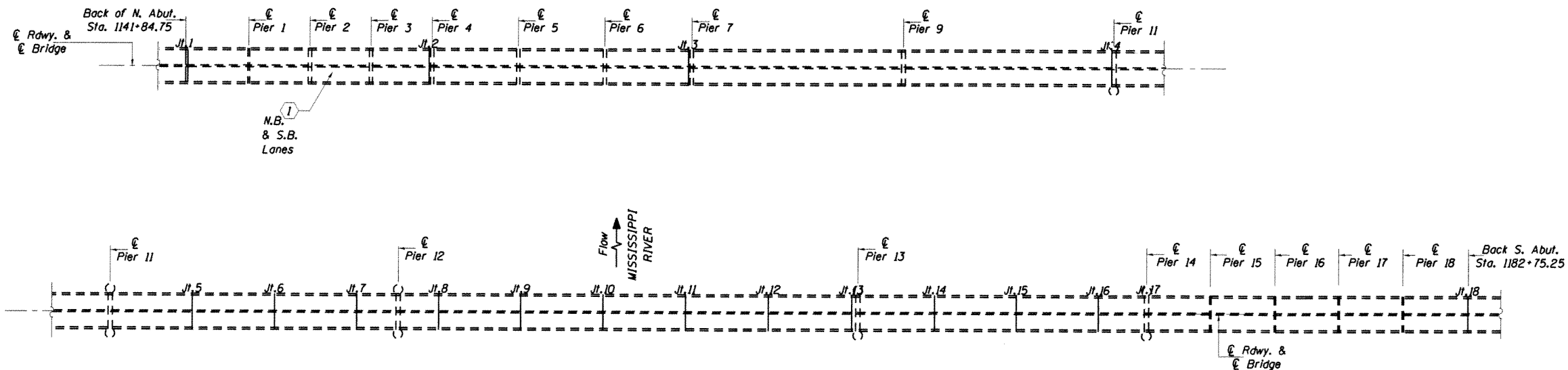


Notes: ① Apply Bridge Deck Concrete Sealer to deck surface and inside face of parapets.

ELEVATION
(Looking East)

BILL OF MATERIAL

ITEM	UNIT	QUANTITY
Bridge Deck Concrete Sealer	Sq. Ft.	32,718

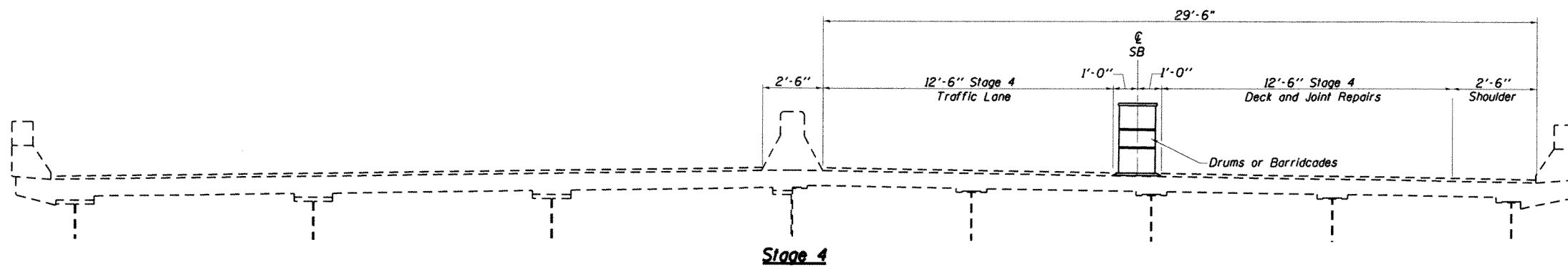
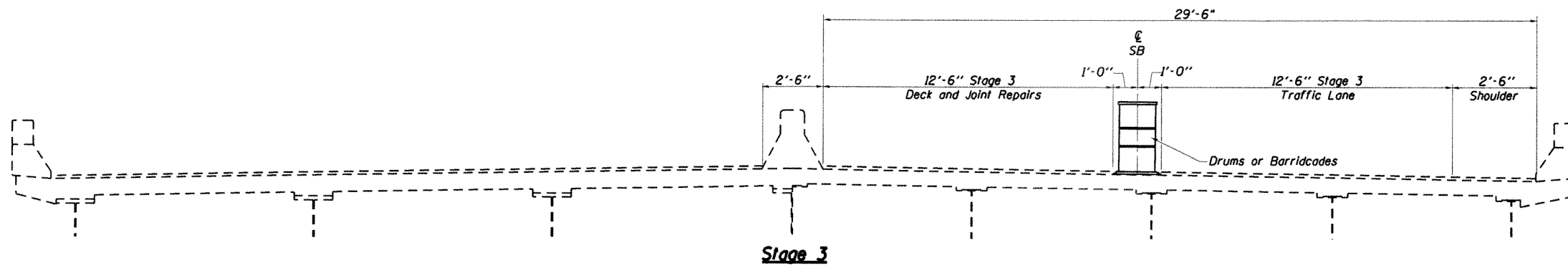
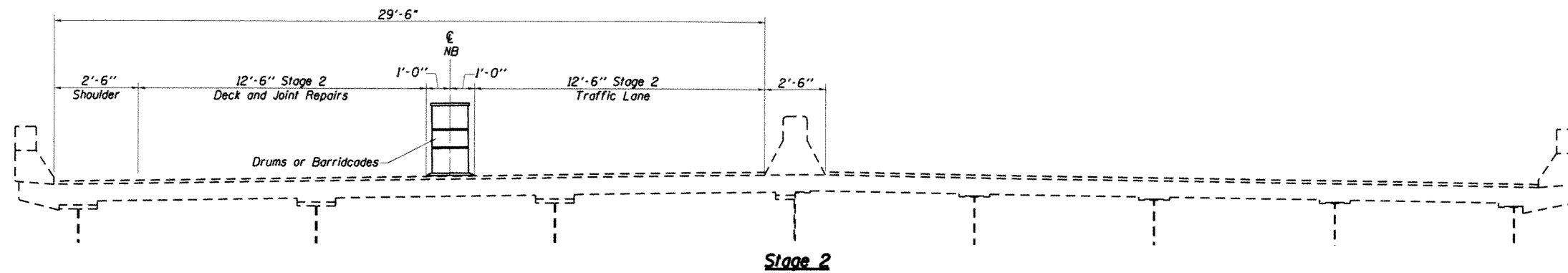
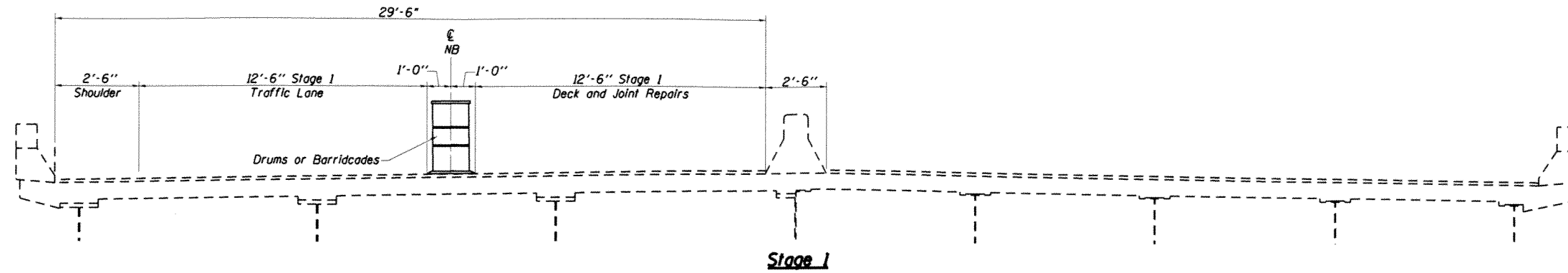


PLAN

**GENERAL PLAN
AND ELEVATION
BRIDGE REPAIRS
F.A.I. 57 OVER MISSISSIPPI RIVER
SEC. D9 DECK SEAL 2015-2
ALEXANDER COUNTY
S.N. 002-0022**

FILE NAME =	USER NAME = halsteadtw	DESIGNED -	REVISED -	STATE OF ILLINOIS DEPARTMENT OF TRANSPORTATION	GENERAL PLAN AND ELEVATION			F.A.I. RTE.	SECTION	COUNTY	TOTAL SHEETS	SHEET NO.			
c:\pw_work\pwidot\halsteadtw\d0418467\7451-shr-plan.dgn		DRAWN -	REVISED -		SCALE:	SHEET NO.	OF	SHEETS	STA.	TO STA.	57	D9 DECK SEAL 2015-2	ALEXANDER	5	4
		CHECKED -	REVISED -		CONTRACT NO. 78451										
		DATE	REVISED		ILLINOIS FED. AID PROJECT										

STATE OF ILLINOIS
DEPARTMENT OF TRANSPORTATION



NOTES:

If the Contractor chooses to modify the suggested sequence of construction, the Contractor shall submit a revised sequence of construction and traffic control layout details for review and acceptance by the Engineer.

All sections looking South.

For additional traffic control details, refer to Traffic Control and Protection, Standard 701400 and Standard 701406.

Northbound FAI-57

Southbound FAI-57

**STAGE CONSTRUCTION
DETAILS**

FILE NAME =	USER NAME = halsteadtw	DESIGNED -	REVISED -	STATE OF ILLINOIS DEPARTMENT OF TRANSPORTATION	STAGE CONSTRUCTION				F.A.I. RTE.	SECTION	COUNTY	TOTAL SHEETS	SHEET NO.
c:\pw\work\pwwdot\halsteadtw\0418467\78451-sh1-plan.dgn		DRAWN -	REVISED -						57	D9 DECK SEAL 2015-2	ALEXANDER	5	5
PLOT SCALE = 1/8" = 1'-0"		CHECKED -	REVISED -		SCALE: SHEET NO. OF SHEETS STA. TO STA.				CONTRACT NO. 78451				
PLOT DATE = 1/6/2015		DATE -	REVISED -						ILLINOIS FED. AID PROJECT				