

168

FOR INDEX OF SHEETS, SEE SHEET NO. 2
FOR LIST OF HIGHWAY STANDARDS, SEE SHEET NO. 2

TRAFFIC DATA

DESIGN DESIGNATION
Willow Road:
6800(30) (OPA) ARTERIAL 23.54 (PCC-30)

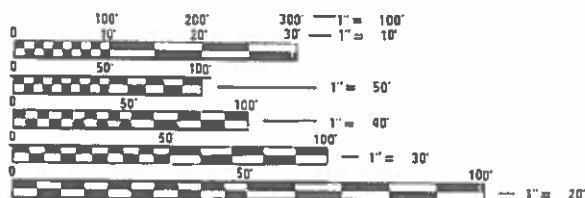
POSTED SPEEDS
Willow Road:
55 mph — Wolf Rd. to Sanders Rd.

DESIGN SPEEDS
Willow Road:
60 mph — Wolf Rd. to Sanders Rd.
Ramp B — 45 mph
Ramp D — 45 mph

TRAFFIC VOLUME:
Willow Road:
Milwaukee Ave. to I-294 (2040) = 60,000

PROJECT LOCATED IN THE CITY OF PROSPECT HEIGHTS
& THE FOREST PRESERVE DISTRICT OF COOK COUNTY

FINAL REVIEW SUBMITTAL
DECEMBER 20, 2019



FULL SIZE PLANS HAVE BEEN PREPARED USING STANDARD
ENGINEERING SCALES. REDUCED SIZED PLANS WILL NOT
CONFORM TO STANDARD SCALES. IN MAKING MEASUREMENTS
ON REDUCED PLANS, THE ABOVE SCALES MAY BE USED.

J.U.L.I.E.
JOINT UTILITY LOCATION INFORMATION FOR EXCAVATION
1-800-892-0123
OR 811

PROJECT ENGINEER: JOSEPH CROSS P.E., P.L.S. (847) 705-4605
PROJECT MANAGER: SERIN KELLER P.E. (847) 705-4269

CONTRACT NO. 60D77



JACOB N. HOHL P.E.
WIGHT & COMPANY
EXPIRES 11/30/2021
PAGES 1 TO 59
PAGES 128 TO 151

12/16/19 DATE

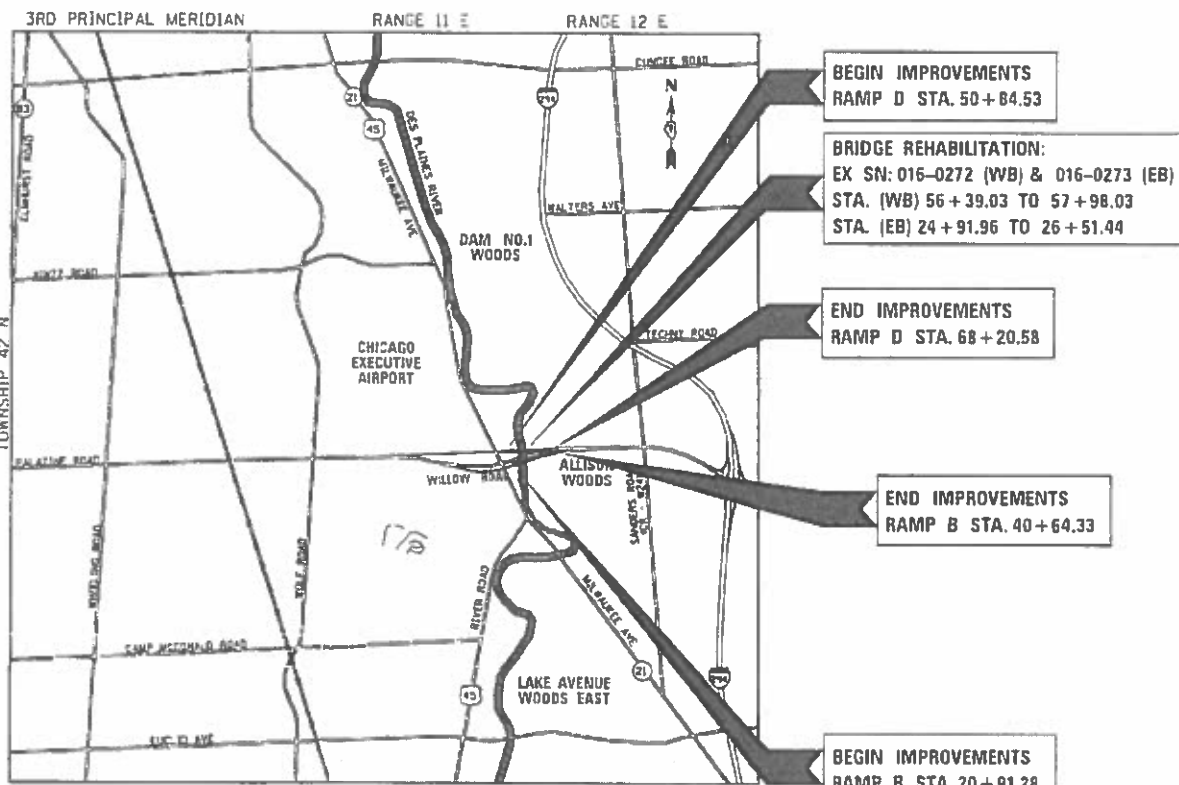


MICHAEL T. HALEY, S.E.
LIM ENGINEERING, LTD
EXPIRES 11/30/2020
PAGES 60 TO 127

12-16-2019 DATE

STATE OF ILLINOIS
DEPARTMENT OF TRANSPORTATION
DIVISION OF HIGHWAYS
**PROPOSED
HIGHWAY PLANS**
F.A.P. ROUTE 330 (WILLOW ROAD)
AT DES PLAINES RIVER
ROADWAY RECONSTRUCTION AND RAMP BRIDGE REHABILITATION

SECTION 1516I-1
PROJECT ILU4(941)
COOK COUNTY
C-91-096-08



PROJECT GROSS AND NET LENGTHS:
RAMP B = 1973 FT. = 0.374 MILE
RAMP D = 1736 FT. = 0.329 MILE

F.A.P. RTE.	SECTION	COUNTY	TOTAL SHEETS	SHEET NO.
305	1516I-1	COOK	151	1

ILLINOIS CONTRACT NO. 60D77
* 151+3=154 TOTAL SHEETS



LOCATION OF SECTION INDICATED THUS. -

STATE OF ILLINOIS
DEPARTMENT OF TRANSPORTATION
DIVISION OF HIGHWAYS
SUBMITTED December 20, 2019
[Signature] REGIONAL ENGINEER
March 20, 2020
[Signature] ENGINEER OF DESIGN AND ENVIRONMENT
March 20, 2020
[Signature] DIRECTOR OF HIGHWAYS PROJECT IMPLEMENTATION 13

PRINTED BY THE AUTHORITY
OF THE STATE OF ILLINOIS

INDEX OF SHEETS

1	COVER SHEET
2	INDEX OF SHEETS AND STANDARDS
3	GENERAL NOTES
4 - 13	SUMMARY OF QUANTITIES
14 - 25	EXISTING & PROPOSED TYPICAL SECTIONS
26 - 27	PAVEMENT SCHEDULE OF QUANTITIES
28 - 29	DRAINAGE SCHEDULE OF QUANTITIES
30	PAVEMENT MARKING SCHEDULE OF QUANTITIES
31	EARTHWORK SCHEDULE
32	TREE REMOVAL SCHEDULE
33	TREE SCHEDULE
34	EROSION CONTROL SCHEDULE
35	LANDSCAPE SCHEDULE
36 - 37	ALIGNMENT, TIES AND BENCHMARKS
38 - 39	REMOVAL PLANS
40 - 41	DRAINAGE REMOVAL PLAN
42 - 45	PLAN AND PROFILES
46	DETOUR ROUTE
47 - 48	EROSION CONTROL PLANS
49 - 50	DRAINAGE PLAN
51 - 53	GORE AREA ELEVATION & SUPERELEVATION DETAILS
54 - 55	PAVEMENT JOINTING PLANS
56 - 57	PAVEMENT MARKING AND SIGNING PLANS
58 - 59	LANDSCAPE PLANS
60 - 87	STRUCTURE PLANS - RAMP D SN 016-0272
88 - 94	STRUCTURE PLANS - RAMP D (EXISTING)
95 - 117	STRUCTURE PLANS - RAMP B SN 016-0273
118 - 127	STRUCTURE PLANS - RAMP B (EXISTING)
*127A-127C	FLOODWAY FLOODPLAIN EXHIBITS
128 - 136	DISTRICT 1 DETAILS
137 - 145	PROPOSED CROSS-SECTIONS - RAMP B

* SHEETS ADDED



IDOT HIGHWAY STANDARDS

000001-07	STANDARD SYMBOLS, ABBREVIATIONS AND PATTERNS
001001-02	AREAS OF REINFORCEMENT BARS
001006	DECIMAL OF AN INCH AND OF A FOOT
280001-07	TEMPORARY EROSION CONTROL SYSTEMS
420001-09	PAVEMENT JOINTS
420101-06	24' JOINTED PCC PAVEMENT
420111-04	PCC PAVEMENT ROUNDOUTS
420401-13	PAVEMENT CONNECTOR (PCC) FOR BRIDGE APPROACH SLAB
515001-03	NAME PLATE FOR BRIDGES
542301-03	PRECAST REINFORCED CONCRETE FLARED END SECTION
542606-02	REINFORCED CONCRETE PIPE TEE
601001-05	PIPE UNDERDRAINS
602001-02	CATCH BASIN TYPE A
602301-04	INLET, TYPE A
602401-06	PRE-CAST MANHOLE, TYPE A, 4' (1.22 M) DIAMETER
602701-02	MANHOLE STEPS
604001-05	FRAME AND LIDS, TYPE 1
604036-03	GRATE, TYPE 8
604051-04	FRAME AND GRATE, TYPE 11
604091-03	FRAME AND GRATE, TYPE 24
606001-07	CONCRETE CURB TYPE B AND COMBINATION CONCRETE CURB AND GUTTER
630001-12	STEEL PLATE BEAM GUARDRAIL
630201-07	PCC/HMA STABILIZATION AT STEEL PLATE BEAM GUARDRAIL
630301-09	SHOULDER WIDENING FOR TYPE 1 (SPECIAL) GUARDRAIL TERMINALS
631011-10	TRAFFIC BARRIER TERMINAL, TYPE 2
631031-16	TRAFFIC BARRIER TERMINAL, TYPE 6
635001-02	DELINEATORS
701101-05	OFF-RD OPERATIONS, MULTILANE, 15' (4.5m) TO 24" (600mm) FROM PAVEMENT EDGE
701106-02	OFF-RD OPERATIONS, MULTILANE, MORE THAN 15' (4.5m) AWAY
701421-08	LANE CLOSURE, MULTILANE, DAY OPERATIONS ONLY, FOR SPEEDS > 45MPH TO 55 MPH
701422-10	LANE CLOSURE, MULTILANE, FOR SPEEDS > 45MPH TO 55 MPH
701426-09	LANE CLOSURE, MULTILANE, INTERMITTENT OR MOVING OPER., FOR SPEEDS > 45MPH
701901-08	TRAFFIC CONTROL DEVICES
720001-01	SIGN PANEL MOUNTING DETAILS
720006-04	SIGN PANEL ERECTION DETAILS
720011-01	METAL POST FOR SIGNS, MARKERS & DELINEATORS
720021-02	SIGN PANELS EXTRUDED ALUMINUM TYPE
725001-01	OBJECT AND TERMINAL MARKERS
728001-01	TELESCOPING STEEL SIGN SUPPORT
729001-01	APPLICATIONS OF TYPES A & B METAL POSTS (FOR SIGNS & MARKERS)
731001-01	BASE FOR TELESCOPING STEEL SIGN SUPPORT
780001-05	TYPICAL PAVEMENT MARKINGS
782006-01	GUARDRAIL AND BARRIER WALL REFLECTOR MOUNTING DETAILS
886001-01	DETECTOR LOOP INSTALLATIONS
886006-01	TYPICAL LAYOUT FOR DETECTION LOOPS

DISTRICT ONE STANDARDS

BD-02	DRIVEWAY DETAILS - DISTANCE BETWEEN ROW AND FACE OF CURB IS LESS THAN 15' (4.5m)
BD-34	DETAILS FOR DEPRESSED CURB & GUTTER AND SHOULDER TREATMENT AT TBT TY 1 SPL
BD-51	BENCHING CONSTRUCTION DETAIL
TC-08	ENTRANCE AND EXIT RAMP CLOSURE DETAILS
TC-10	TRAFFIC CONTROL AND PROTECTION FOR SIDE ROADS, INTERSECTIONS, AND DRIVEWAYS
TC-11	RAISED REFLECTIVE PAVEMENT MARKERS (SNOW FLOW RESISTANT)
TC-13	TYPICAL PAVEMENT MARKINGS
TC-22	ARTERIAL ROAD INFORMATION SIGN
TC-26	DRIVEWAY ENTRANCE SIGNING
TS-05	STANDARD TRAFFIC SIGNAL DESIGN DETAILS

PLAN	SURVEYED	DATE
NOTE BOOK	PLOTTED	BY
NO.	GRADES CHECKED	
	ALIGNMENT CHECKED	
	STRUCTURE NOTATIONS CHECKED	
	FILE NAME	

PROFILE	SURVEYED	DATE
NOTE BOOK	PLOTTED	BY
NO.	GRADES CHECKED	
	ALIGNMENT CHECKED	
	STRUCTURE NOTATIONS CHECKED	
	FILE NAME	

FILE NAME = 60D77_ahL_index.dgn



USER NAME = untitled	DESIGNED KMB	REVISED 04-07-2020
	DRAWN CJF	REVISED
PLOT SCALE = 2.0000' / 1in.	CHECKED JNH	REVISED
PLOT DATE = 4/7/2020	DATE 01-24-2020	REVISION

**STATE OF ILLINOIS
DEPARTMENT OF TRANSPORTATION**

**WILLOW ROAD AT DES PLAINES RIVER
INDEX OF SHEETS & STANDARDS**

SHEET NO. 1 OF 1 SHEETS STA. TO STA.

F.A.P. RTE.	SECTION	COUNTY	TOTAL SHEETS	SHEET NO.
305	15161- 1	COOK	151	2
CONTRACT NO. 60D77				
FED. ROAD DIST. NO. ILLINOIS FED. AID PROJECT				

REVISION 1 REVISED 4/9/2020 SEP

PLAN	SURVEYED	DATE
NOTE BOOK	PLOTTED	BY
NO.	GRADES CHECKED	
	STRUCTURE NOTATIONS CHECKED	
	FILE NAME	

PROFILE	SURVEYED	DATE
NOTE BOOK	PLOTTED	BY
NO.	GRADES CHECKED	
	STRUCTURE NOTATIONS CHECKED	
	FILE NAME	

					ROADWAY	WESTBOUND RAMP D REHAB SN 016-0272	EASTBOUND RAMP B REHAB SN 016-0273
URBAN					CONSTRUCTION TYPE CODE		
CODE NO.	PAY ITEM	UNIT	TOTAL	0004 80%/20%	0013 80%/20%	0013 80%/20%	
550A0340	STORM SEWERS, CLASS A, TYPE 2 12"	FOOT	199	199			
550A0380	STORM SEWERS, CLASS A, TYPE 2 18"	FOOT	55	55			
55100400	STORM SEWER REMOVAL 10"	FOOT	375	375			
55100500	STORM SEWER REMOVAL 12"	FOOT	146	146			
58600101	GRANULAR BACKFILL FOR STRUCTURES	CU YD	36		36		
59000200	EPOXY CRACK INJECTION	FOOT	131		81	50	
59100100	GEOCOMPOSITE WALL DRAIN	SQ YD	27		27		
60108204	PIPE UNDERDRAINS, TYPE 2, 4"	FOOT	150	150			
60201340	CATCH BASIN, TYPE A, 4'-DIAMETER, TYPE 24 FRAME AND GRATE	EACH	25	25			
60203905	CATCH BASIN, TYPE A, 4'-DIAMETER, TYPE 1 FRAME, CLOSED LID	EACH	1	1			
60205040	CATCH BASIN, TYPE A, 5'-DIAMETER, TYPE 24 FRAME AND GRATE	EACH	1	1			
60218400	MANHOLES, TYPE A, 4' DIAMETER, TYPE 1 FRAME, CLOSED LID	EACH	1	1			
60223800	MANHOLES, TYPE A, 6'-DIAMETER, TYPE 1 FRAME, CLOSED LID	EACH	1	1			
60224445	MANHOLES, TYPE A, 7'-DIAMETER, TYPE 1 FRAME, OPEN LID	EACH	1	1			



* SEE SPECIAL PROVISIONS.

REVISD 4/10/2020 SEP



USER NAME = untitled	DESIGNED KMB	REVISED
DRAWN CJF	CHECKED JNH	REVISED
PLOT SCALE = 2.0000' / in.	DATE 01-24-2020	REVISED
PLOT DATE = 1/24/2020		

**STATE OF ILLINOIS
DEPARTMENT OF TRANSPORTATION**

**WILLOW ROAD AT DES PLAINES RIVER
SUMMARY OF QUANTITIES**

SHEET NO. 6 OF 9 SHEETS STA. TO STA.

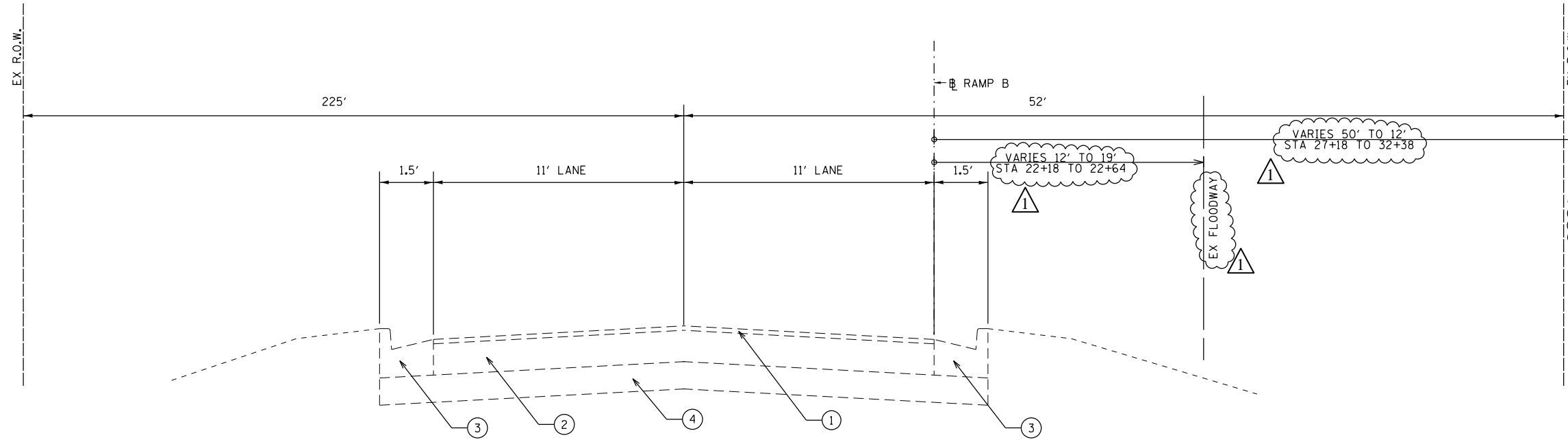
F.A.P. RTE.	SECTION	COUNTY	TOTAL SHEETS	SHEET NO.
305	15161-1	COOK	151	9
FED. ROAD DIST. NO. ILLINOIS FED. AID PROJECT			CONTRACT NO. 60D77	

FILE NAME = 60D77-sh1-seg_06.dgn

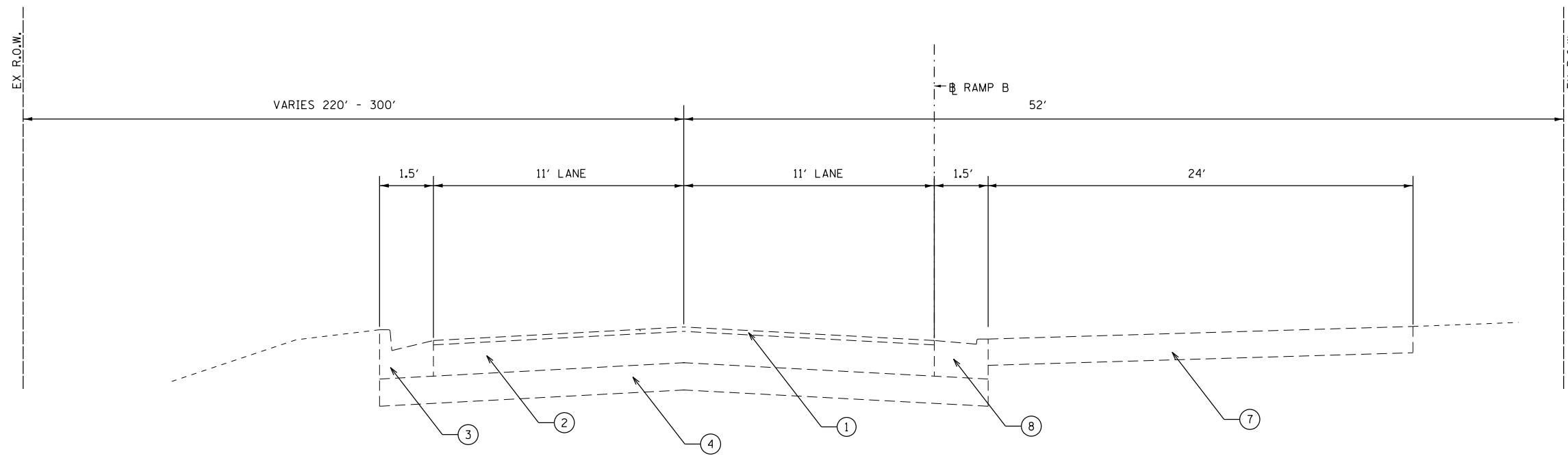
PLAN	SURVEYED	DATE
	PLOTTED	
	GRADES CHECKED	
	ALIGNMENT CHECKED	
	STRUCTURE NOTATIONS CHECKED	
NOTE BOOK NO.	FIELD FILE NAME	

PROFILE	SURVEYED	DATE
	PLOTTED	
	GRADES CHECKED	
	ALIGNMENT CHECKED	
	STRUCTURE NOTATIONS CHECKED	
NOTE BOOK NO.	FIELD FILE NAME	

FILE NAME = 60077-shl.tgpc-ex-rampB_01.dgn



EXISTING RAMP B
 STA 20+91.3 TO STA 21+28.8
 STA 22+17.6 TO STA 22+64.4
 STA 27+17.6 TO STA 32+37.9



EXISTING RAMP B
 STA 21+28.8 TO STA 22+17.6

- LEGEND**
- ① EXISTING HMA SURFACE, 2"
 - ② EXISTING PCC PAVEMENT, 10"
 - ③ EXISTING CURB & GUTTER (TYP.)
 - ④ EXISTING AGGREGATE SUBBASE, 12"
 - ⑤ EXISTING HMA SHOULDER, 6"
 - ⑥ EXISTING GUARDRAIL
 - ⑦ EXISTING HMA DRIVEWAY, 8"
 - ⑧ EXISTING DEPRESSED CURB & GUTTER
 - ⑨ EXISTING MEDIAN, SB-6.12



USER NAME = untitled	DESIGNED KMB	REVISED 04-07-2020
	DRAWN CJF	REVISED
PLOT SCALE = 20.0000' / in.	CHECKED JNH	REVISED
PLOT DATE = 4/7/2020	DATE 01-24-2020	REVISED

**STATE OF ILLINOIS
 DEPARTMENT OF TRANSPORTATION**

**WILLOW ROAD AT DES PLAINES RIVER
 EXISTING TYPICAL SECTIONS
 RAMP B**

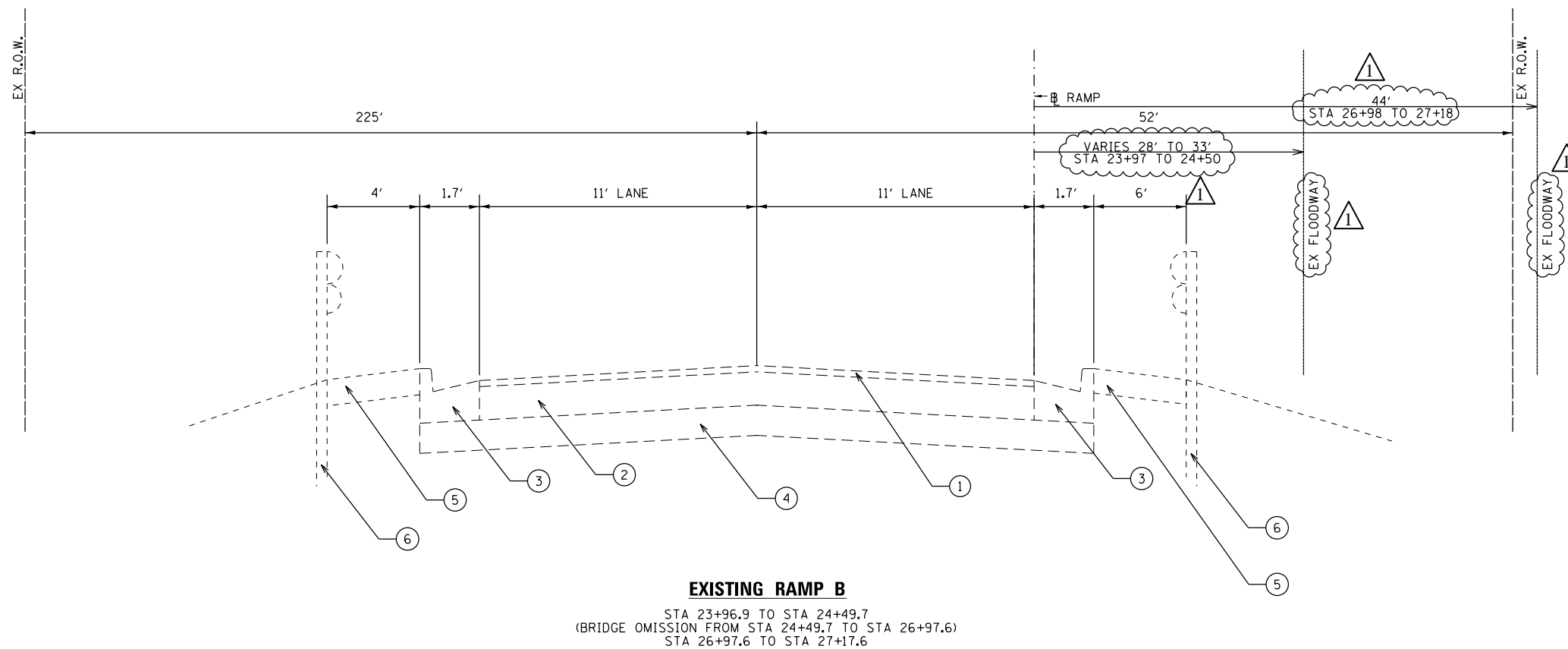
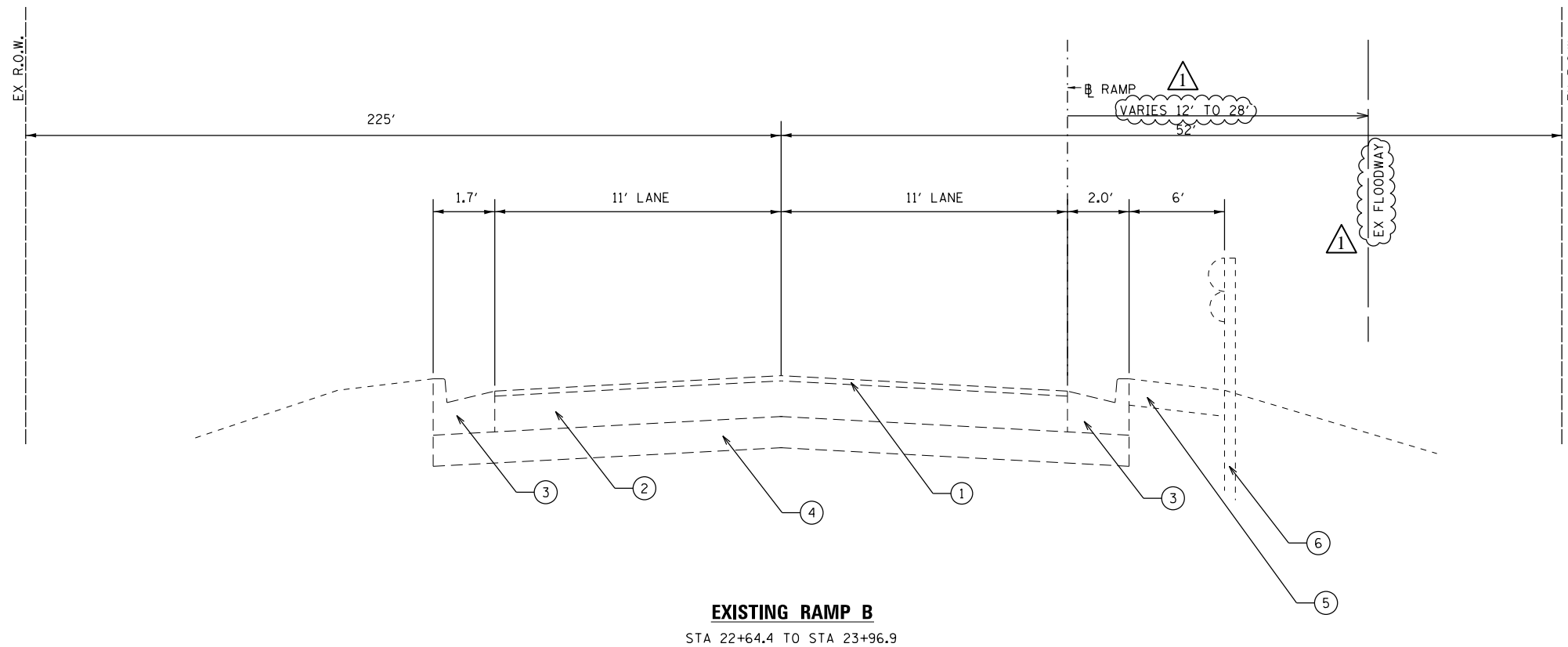
SHEET NO. 1 OF 3 SHEETS STA. TO STA.

REVISED 4/10/2020 SEP		F.A.P. RTE.	SECTION	COUNTY	TOTAL SHEETS	SHEET NO.
305	15161-1	COOK	151	14		
		CONTRACT NO. 60D77				
FED. ROAD DIST. NO.		ILLINOIS FED. AID PROJECT				

PLAN	SURVEYED	DATE
	PLOTTED	
	GRADES CHECKED	
	STRUCTURE NOT AT THIS OFFICE	
	NOTE BOOK	
	NO.	
	CADD FILE NAME	

PROFILE	SURVEYED	DATE
	PLOTTED	
	GRADES CHECKED	
	STRUCTURE NOT AT THIS OFFICE	
	NOTE BOOK	
	NO.	
	CADD FILE NAME	

FILE NAME = 60D77-shl.tgpc-ex-rampB_02.dgn



LEGEND

- ① EXISTING HMA SURFACE, 2"
- ② EXISTING PCC PAVEMENT, 10"
- ③ EXISTING CURB & GUTTER (TYP.)
- ④ EXISTING AGGREGATE SUBBASE, 12"
- ⑤ EXISTING HMA SHOULDER, 6"
- ⑥ EXISTING GUARDRAIL
- ⑦ EXISTING HMA DRIVEWAY, 8"
- ⑧ EXISTING DEPRESSED CURB & GUTTER
- ⑨ EXISTING MEDIAN, SB-6.12



USER NAME = untitled	DESIGNED KMB	REVISED 04-07-2020
	DRAWN CJF	REVISED
PLOT SCALE = 20.0000' / in.	CHECKED JNH	REVISED
PLOT DATE = 4/7/2020	DATE 01-24-2020	REVISED

**STATE OF ILLINOIS
DEPARTMENT OF TRANSPORTATION**

**WILLOW ROAD AT DES PLAINES RIVER
EXISTING TYPICAL SECTIONS
RAMP B**

SHEET NO. 2 OF 3 SHEETS STA. TO STA.

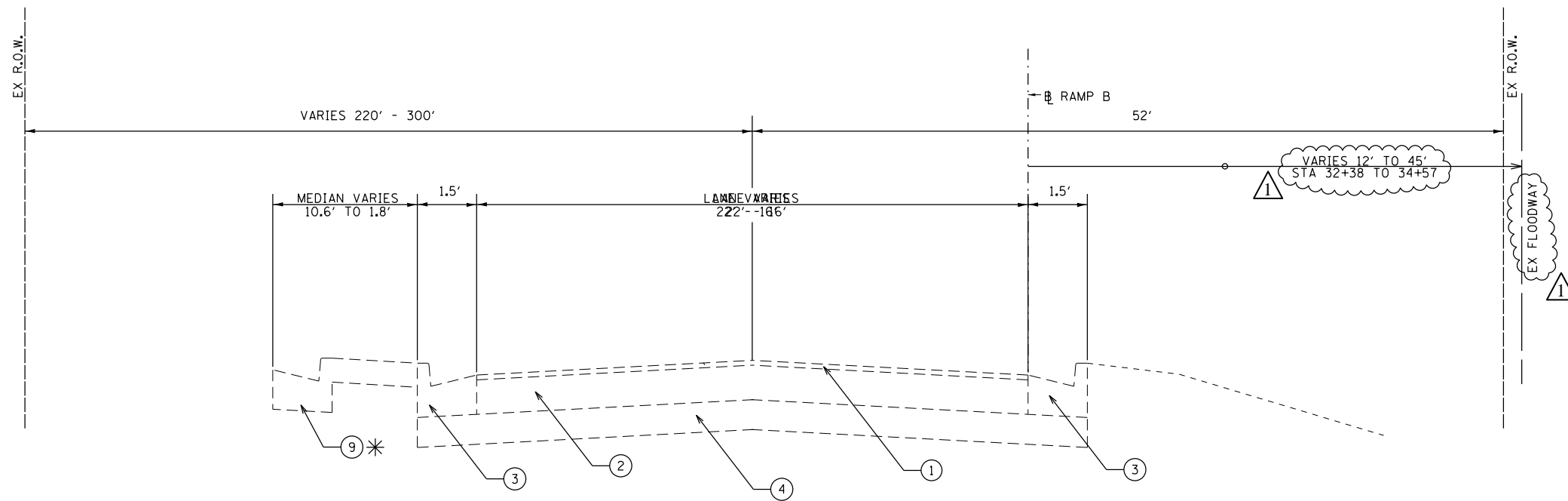
F.A.P. RTE.	SECTION	COUNTY	TOTAL SHEETS	SHEET NO.
305	15161-1	COOK	151	15
FED. ROAD DIST. NO. ILLINOIS FED. AID PROJECT			CONTRACT NO. 60D77	

△ REVISED 4/10/2020 SEP

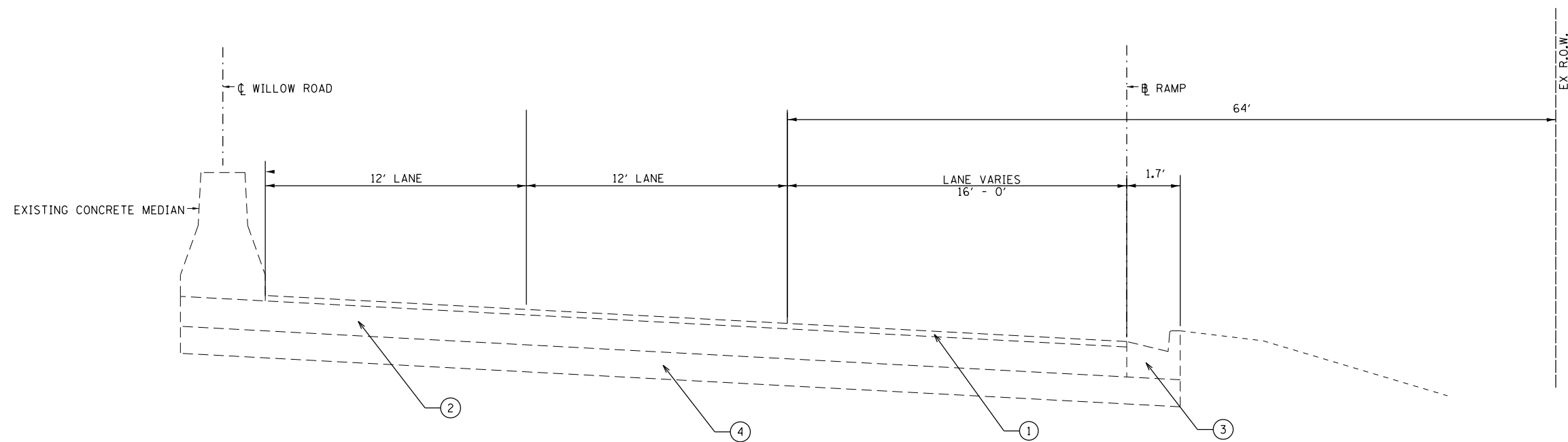
PLAN	SURVEYED	DATE
	PLOTTED	
	GRADES CHECKED	
	STRUCTURE NOTATIONS CHECKED	
	NOTE BOOK NO.	
	CADD FILE NAME	

PROFILE	SURVEYED	DATE
	PLOTTED	
	GRADES CHECKED	
	STRUCTURE NOTATIONS CHECKED	
	NOTE BOOK NO.	
	CADD FILE NAME	

FILE NAME = 60D77-shl.tgp.ex-rampB_03.dgn



EXISTING RAMP B
STA 32+37.9 TO STA 34+92.8



EXISTING RAMP B
STA 34+92.8 TO STA 40+64.3

LEGEND

- ① EXISTING HMA SURFACE, 2"
- ② EXISTING PCC PAVEMENT, 10"
- ③ EXISTING CURB & GUTTER (TYP.)
- ④ EXISTING AGGREGATE SUBBASE, 12"
- ⑤ EXISTING HMA SHOULDER, 6"
- ⑥ EXISTING GUARDRAIL
- ⑦ EXISTING HMA DRIVEWAY, 8"
- ⑧ EXISTING DEPRESSED CURB & GUTTER
- ⑨ EXISTING MEDIAN, SB-6.12

MEDIAN LIMITS

* STA 34+07.6 TO STA 34+92.8

△ REVISED 4/10/2020 SEP



USER NAME = untitled	DESIGNED KMB	REVISED 04-07-2020
	DRAWN CJF	REVISED
PLOT SCALE = 20.0000' / in.	CHECKED JNH	REVISED
PLOT DATE = 4/7/2020	DATE 01-24-2020	REVISED

**STATE OF ILLINOIS
DEPARTMENT OF TRANSPORTATION**

**WILLOW ROAD AT DES PLAINES RIVER
EXISTING TYPICAL SECTIONS
RAMP B**

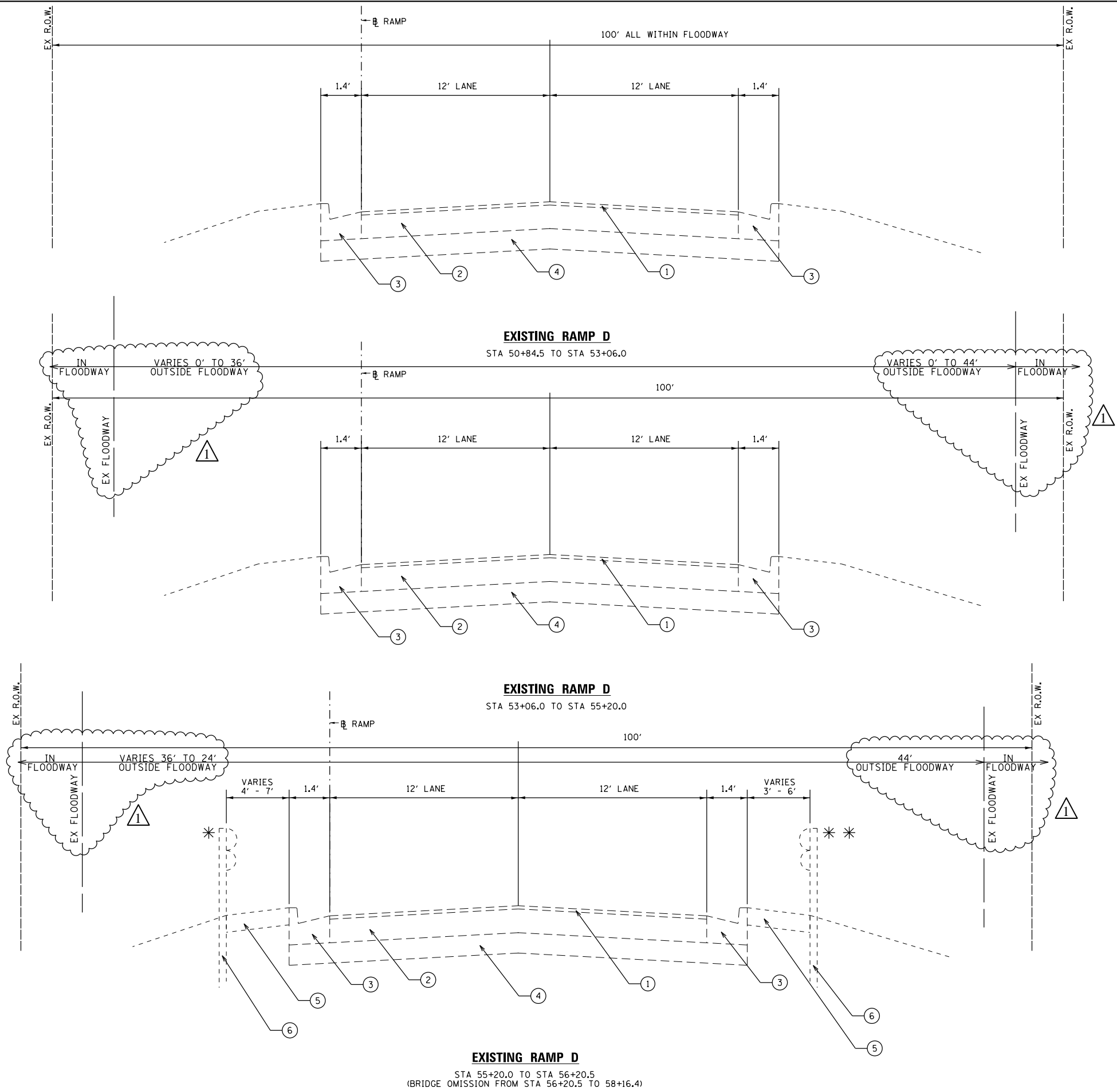
SHEET NO. 3 OF 3 SHEETS STA. TO STA.

F.A.P. RTE.	SECTION	COUNTY	TOTAL SHEETS	SHEET NO.
305	1516I-1	COOK	151	16
FED. ROAD DIST. NO.			ILLINOIS FED. AID PROJECT	
			CONTRACT NO. 60D77	

PLAN	SURVEYED	DATE
	PLOTTED	
	ALIGNED	
	CHECKED	
	FILED	
	BY	
	DATE	

PROFILE	SURVEYED	DATE
	PLOTTED	
	GRADES CHECKED	
	STRUCTURE NOTATIONS CHECKED	
	BY	
	DATE	

FILE NAME = 60D77-shl.typ.ex-rampD_01.dgn



- LEGEND**
- ① EXISTING HMA SURFACE, 2"
 - ② EXISTING PCC PAVEMENT, 10"
 - ③ EXISTING CURB & GUTTER (TYP.)
 - ④ EXISTING AGGREGATE SUBBASE, 12"
 - ⑤ EXISTING HMA SHOULDER, 6"
 - ⑥ EXISTING GUARDRAIL

- GUARDRAIL LIMITS**
- * STA 55+37.2 TO STA 56+37.5
 - * * STA 55+38.3 TO STA 56+38.9



USER NAME = untitled	DESIGNED KMB	REVISED 04-07-2020
	DRAWN CJF	REVISED
PLOT SCALE = 20.0000' / in.	CHECKED JNH	REVISED
PLOT DATE = 4/7/2020	DATE 01-24-2020	REVISED

**STATE OF ILLINOIS
DEPARTMENT OF TRANSPORTATION**

**WILLOW ROAD AT DES PLAINES RIVER
EXISTING TYPICAL SECTIONS
RAMP D**

SHEET NO. 1 OF 2 SHEETS STA. TO STA.

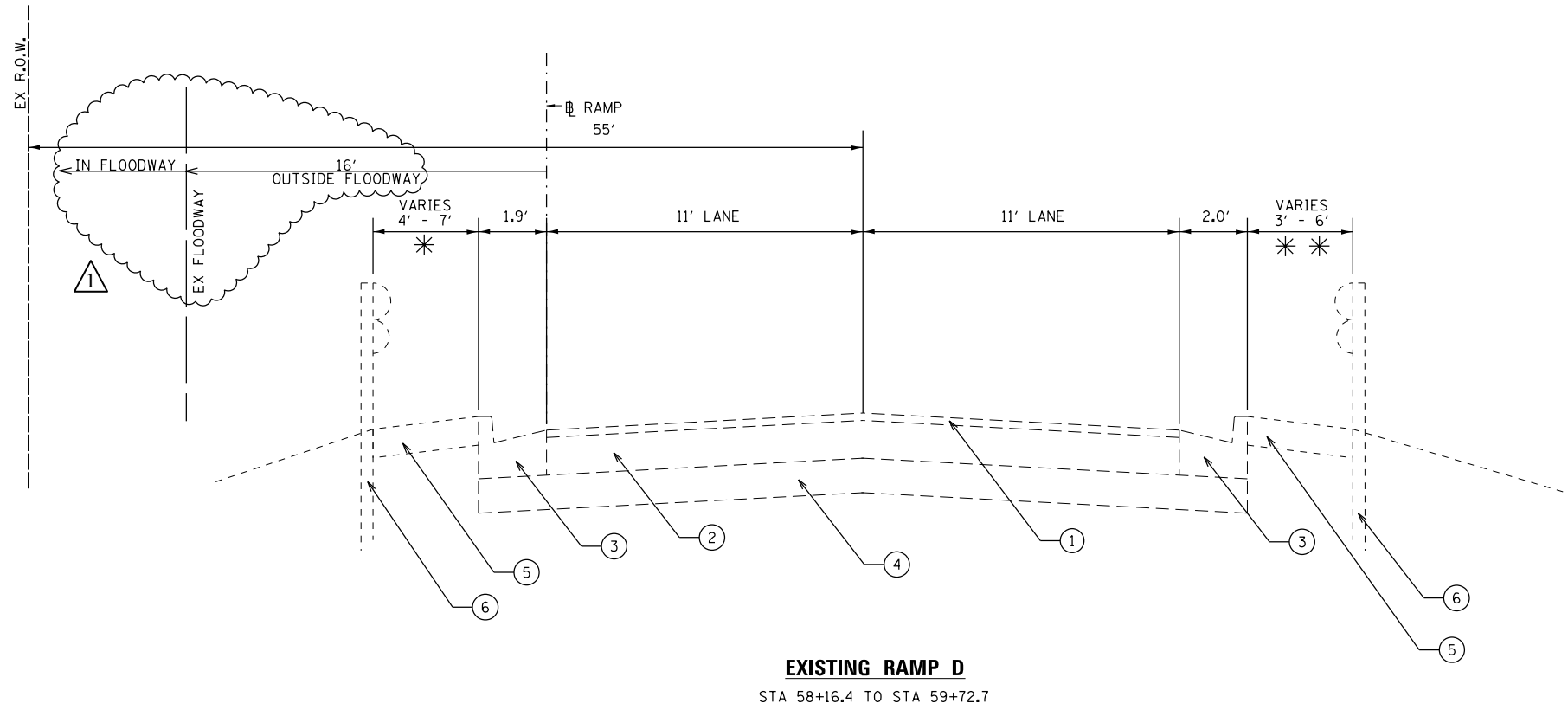
F.A.P. RTE.	SECTION	COUNTY	TOTAL SHEETS	SHEET NO.
305	15161-1	COOK	151	17
FED. ROAD DIST. NO.			ILLINOIS FED. AID PROJECT	
CONTRACT NO. 60D77				

△ REVISED 4/10/2020 SEP

PLAN	SURVEYED	DATE
	PLOTTED	
	GRADES CHECKED	
	STRUCTURE NOTATIONS CHECKED	
	NOTE BOOK NO.	
	BY	
	DATE	

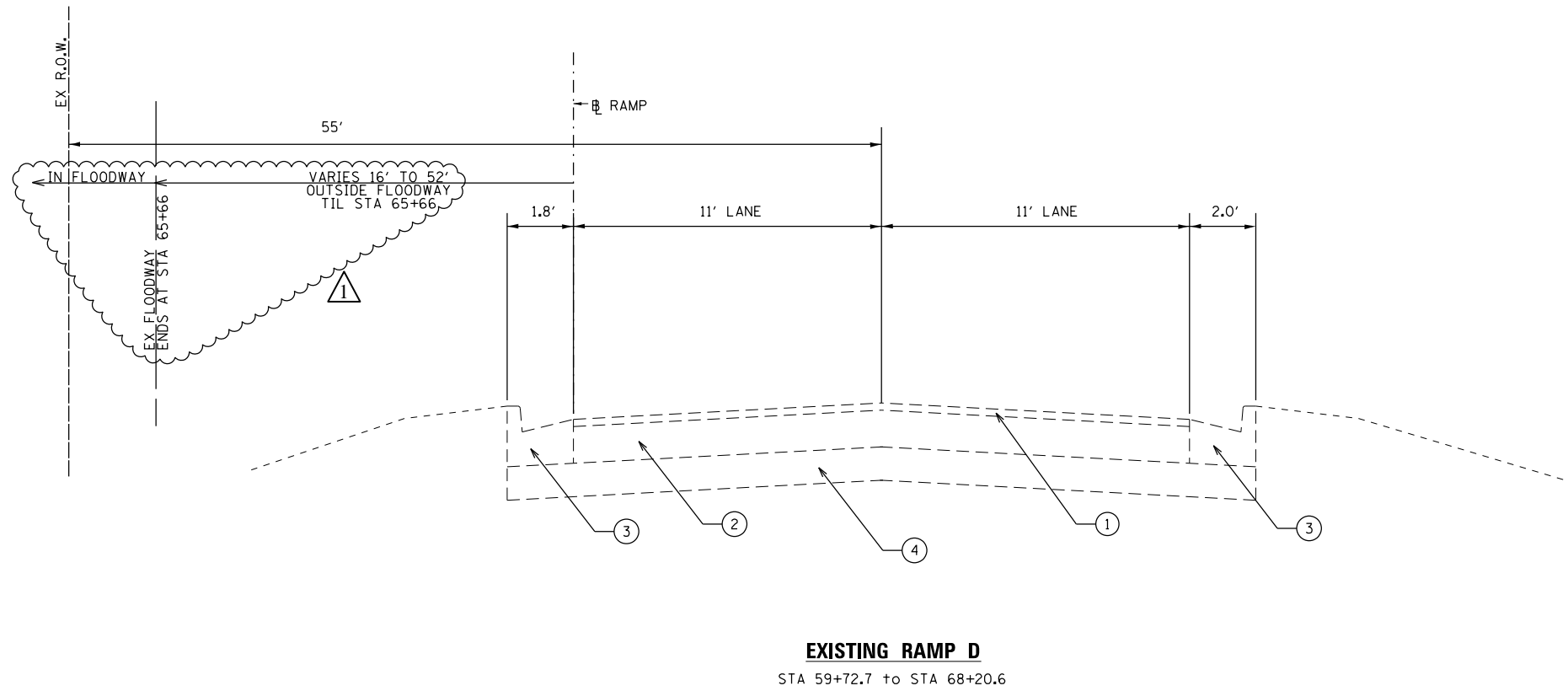
PROFILE	SURVEYED	DATE
	PLOTTED	
	GRADES CHECKED	
	STRUCTURE NOTATIONS CHECKED	
	NOTE BOOK NO.	
	BY	
	DATE	

FILE NAME = 60D77-shl.typ.ex-rampD_02.dgn



HMA SHOULDER LIMITS

- * STA 58+61.4 TO STA 58+84.9
- * * STA 55+38.3 TO STA 58+83.4



- LEGEND**
- ① EXISTING HMA SURFACE, 2"
 - ② EXISTING PCC PAVEMENT, 10"
 - ③ EXISTING CURB & GUTTER (TYP.)
 - ④ EXISTING AGGREGATE SUBBASE, 12"
 - ⑤ EXISTING HMA SHOULDER, 6"
 - ⑥ EXISTING GUARDRAIL

⚠ REVISED 4/10/2020 SEP



USER NAME = untitled	DESIGNED KMB	REVISED 04-07-2020
	DRAWN CJF	REVISED
PLOT SCALE = 20.0000' / in.	CHECKED JNH	REVISED
PLOT DATE = 4/7/2020	DATE 01-24-2020	REVISED

STATE OF ILLINOIS
DEPARTMENT OF TRANSPORTATION

WILLOW ROAD AT DES PLAINES RIVER
EXISTING TYPICAL SECTIONS
RAMP D

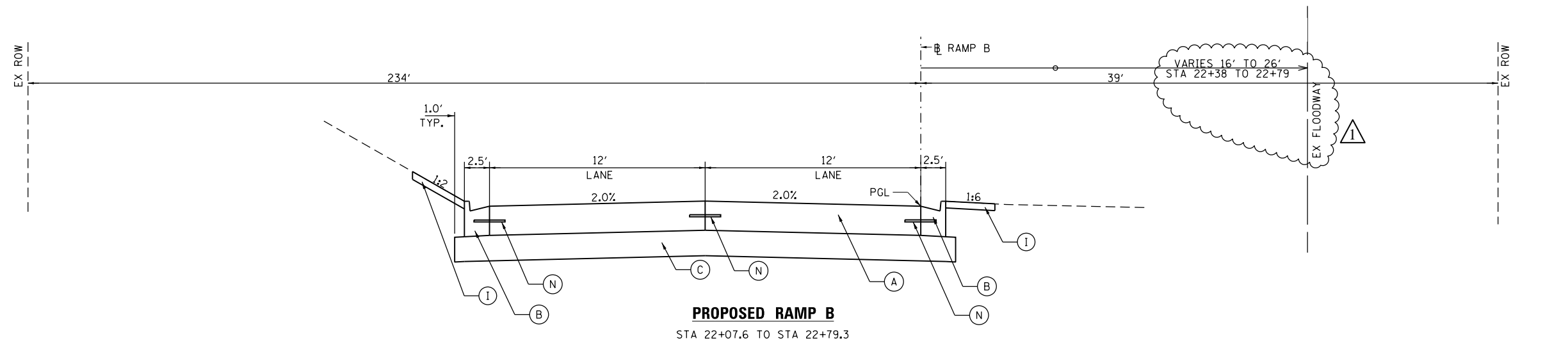
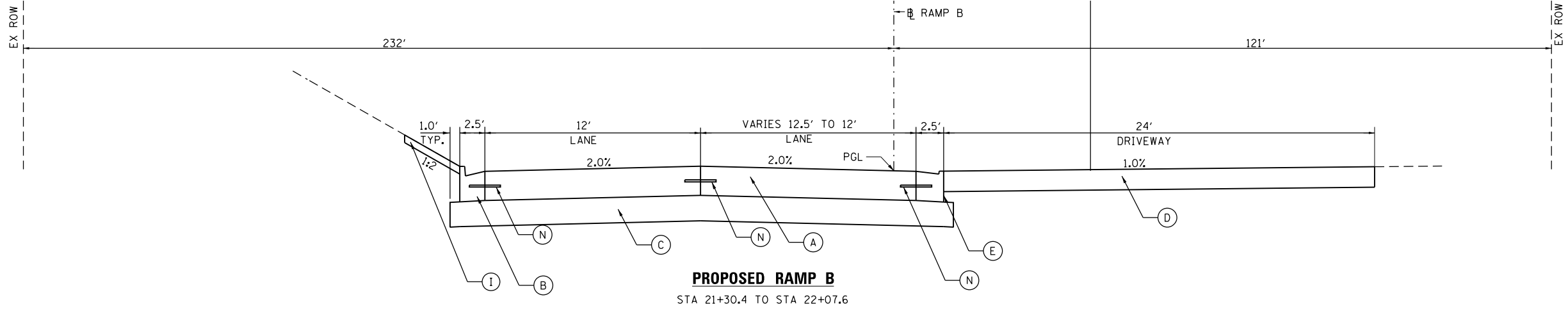
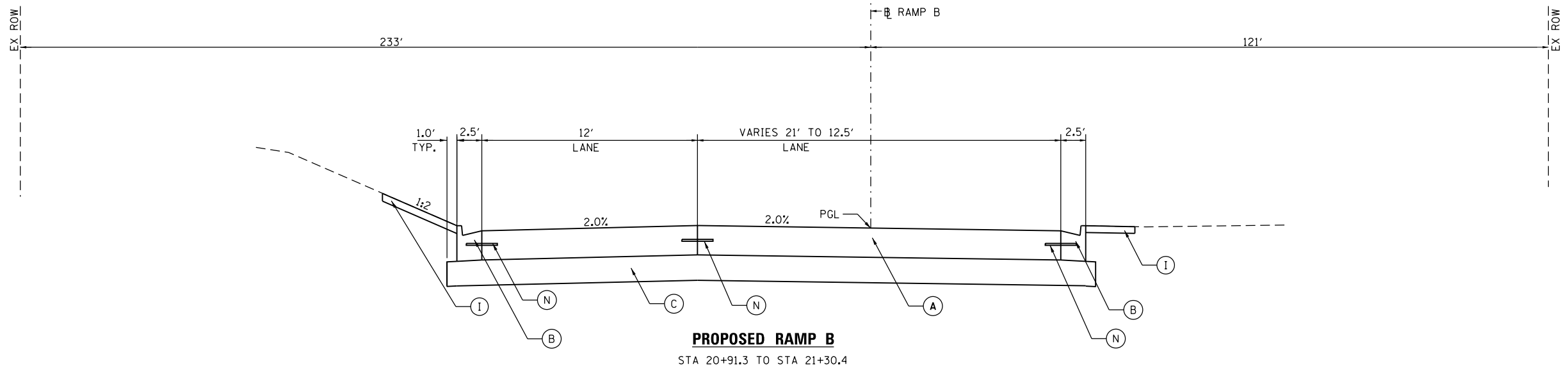
SHEET NO. 2 OF 2 SHEETS STA. TO STA.

F.A.P. RTE.	SECTION	COUNTY	TOTAL SHEETS	SHEET NO.
305	1516I-1	COOK	151	18
FED. ROAD DIST. NO.			CONTRACT NO. 60D77	
ILLINOIS FED. AID PROJECT				

PLAN	SURVEYED	DATE
	PLOTTED	
	GRADES CHECKED	
	STRUCTURE NOTATIONS CHECKED	
	NOTE BOOK NO.	

PROFILE	SURVEYED	DATE
	PLOTTED	
	GRADES CHECKED	
	STRUCTURE NOTATIONS CHECKED	
	NOTE BOOK NO.	

FILE NAME = 60D77-shl.tgpc-r-rampB_01.dgn



- LEGEND**
- (A) PORTLAND CEMENT CONCRETE PAVEMENT 9" (JOINTED)
 - (B) COMBINATION CONCRETE CURB & GUTTER, TYPE B-6.24
 - (C) AGGREGATE SUBGRADE IMPROVEMENT 12" (TYP.)
 - (D) HMA DRIVEWAY PAVEMENT 8"
 - (E) DEPRESSED CURB AND GUTTER
 - (F) AGGREGATE SHOULDERS TYPE B 8"
 - (G) STEEL PLATE BEAM GUARDRAIL TYPE A 6' POSTS
 - (H) PAVEMENT CONNECTOR (PCC) W/ WELDED WIRE REINFORCEMENT 15"
 - (I) EXCAVATE & PLACE TOPSOIL, 4" W/ EROSION CONTROL BLANKET & CLASS 2A SEEDING
 - (J) PORTLAND CEMENT CONCRETE SHOULDER 9"
 - (K) CONCRETE MEDIAN, TYPE SB-6.12
 - (L) HOT-MIX ASPHALT SURFACE COURSE MIX "D" N50, 2"
 - (M) PORTLAND CEMENT CONCRETE BASE COURSE WIDENING, 10"
 - (N) EPOXY COAST, DEFORMED, NO. 6 TIE BARS, 24" LONG @ 24" C-C. COST INCIDENTAL TO PCC PAVEMENT
 - (O) PREFORMED BOND BREAKER EXPANSION JOINT



USER NAME = untitled	DESIGNED KMB	REVISED 04-07-2020
	DRAWN CJF	REVISED
PLOT SCALE = 20.0000' / in.	CHECKED JNH	REVISED
PLOT DATE = 4/7/2020	DATE 01-24-2020	REVISED

STATE OF ILLINOIS
DEPARTMENT OF TRANSPORTATION

WILLOW ROAD AT DES PLAINES RIVER
PROPOSED TYPICAL SECTIONS
RAMP B

SHEET NO. 1 OF 4 SHEETS STA. TO STA.

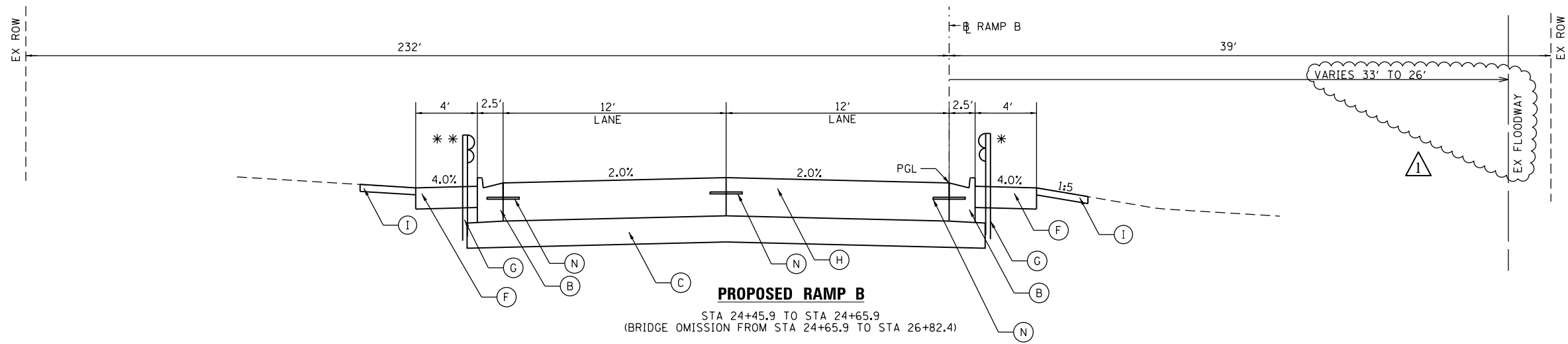
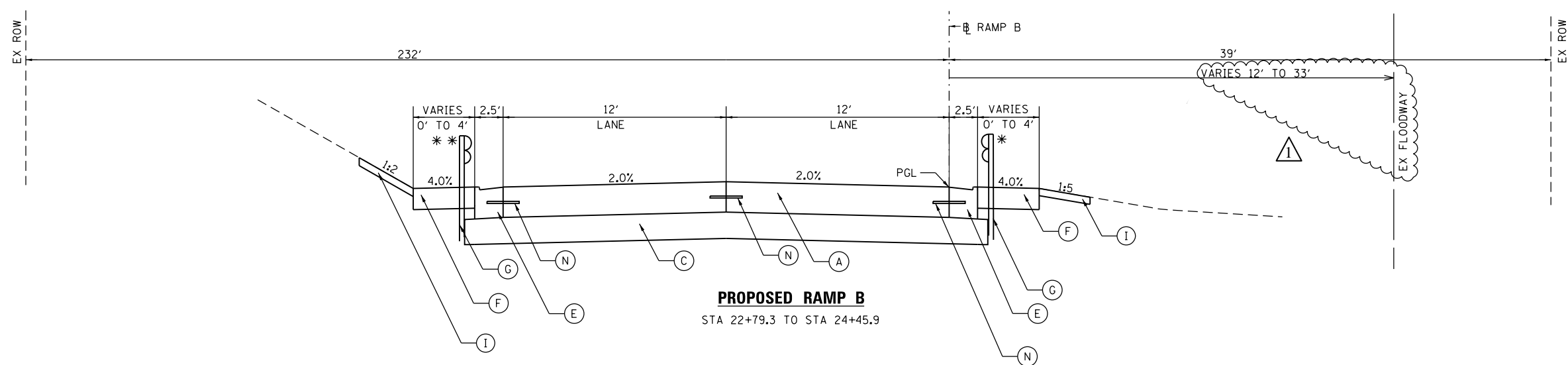
F.A.P. RTE.	SECTION	COUNTY	TOTAL SHEETS	SHEET NO.
305	15161-1	COOK	151	19
FED. ROAD DIST. NO.			ILLINOIS FED. AID PROJECT	

REVISD 4/10/2020 SEP

PLAN	SURVEYED	DATE
	PLOTTED	
	GRADES CHECKED	
	ALIGNMENT CHECKED	
	STRUCTURE NOT AT THIS OFFICE	
	NO. _____	

PROFILE	SURVEYED	DATE
	PLOTTED	
	GRADES CHECKED	
	STRUCTURE NOT AT THIS OFFICE	
	NO. _____	

FILE NAME = 60077-shl.tgpc-rampB_02.dgn



LEGEND

- (A) PORTLAND CEMENT CONCRETE PAVEMENT 9" (JOINTED)
- (B) COMBINATION CONCRETE CURB & GUTTER, TYPE B-6.24
- (C) AGGREGATE SUBGRADE IMPROVEMENT 12" (TYP.)
- (D) HMA DRIVEWAY PAVEMENT 8"
- (E) DEPRESSED CURB AND GUTTER
- (F) AGGREGATE SHOULDERS TYPE B 8"
- (G) STEEL PLATE BEAM GUARDRAIL TYPE A 6' POSTS
- (H) PAVEMENT CONNECTOR (PCC) W/ WELDED WIRE REINFORCEMENT 15"
- (I) EXCAVATE & PLACE TOPSOIL, 4" W/ EROSION CONTROL BLANKET & CLASS 2A SEEDING
- (J) PORTLAND CEMENT CONCRETE SHOULDER 9"
- (K) CONCRETE MEDIAN, TYPE SB-6.12
- (L) HOT-MIX ASPHALT SURFACE COURSE MIX "D" N50, 2"
- (M) PORTLAND CEMENT CONCRETE BASE COURSE WIDENING, 10"
- (N) EPOXY COAST, DEFORMED, NO. 6 TIE BARS, 24" LONG @ 24" C-C. COST INCIDENTAL TO PCC PAVEMENT
- (O) PREFORMED BOND BREAKER EXPANSION JOINT

GUARDRAIL LIMITS

- * STA 23+13.17 TO STA 24+60.44
- ** STA 23+34.41 TO STA 24+81.68

AGGREGATE SHOULDER LIMITS

- * STA 22+79.3 TO STA 24+65.9
- ** STA 23+00.5 TO STA 24+45.9

NOTE

PAVEMENT CONNECTOR (PCC) W/ WELDED WIRE REINFORCEMENT 15" (ITEM H) IS REPRESENTED TO BE THICKER THAN PORTLAND CEMENT CONCRETE PAVEMENT 10/4" (ITEM A). SECTIONS INCLUDING ITEM H SHALL SACRIFICE APPROXIMATELY 3" OF AGGREGATE SUBGRADE IMPROVEMENT (ITEM C) IN ORDER TO MAINTAIN A TYPICAL ROADWAY SECTION THICKNESS OF 22/4".

REVISED 4/10/2020 SEP



USER NAME = untitled	DESIGNED KMB	REVISED 04-07-2020
	DRAWN CJF	REVISED
PLOT SCALE = 20.0000' / in.	CHECKED JNH	REVISED
PLOT DATE = 4/7/2020	DATE 01-24-2020	REVISED

STATE OF ILLINOIS
DEPARTMENT OF TRANSPORTATION

WILLOW ROAD AT DES PLAINES RIVER
PROPOSED TYPICAL SECTIONS
RAMP B

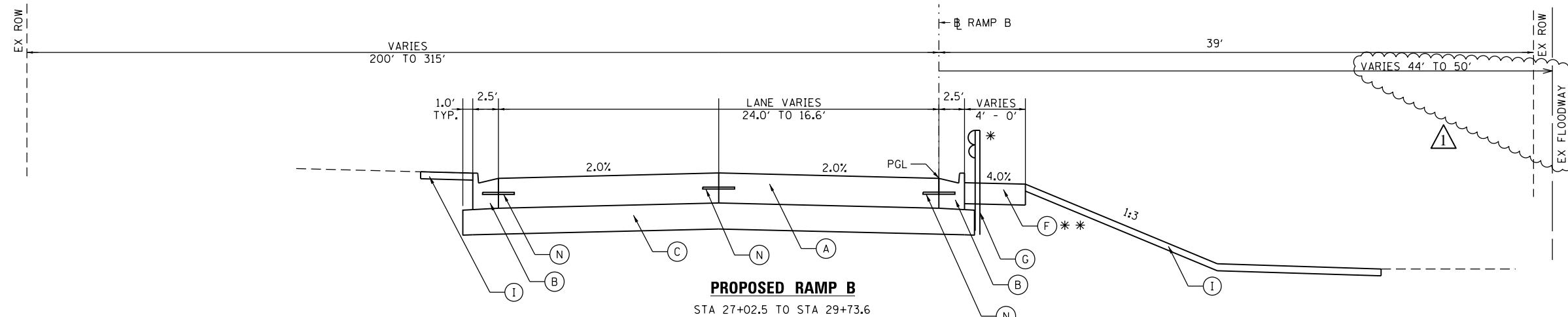
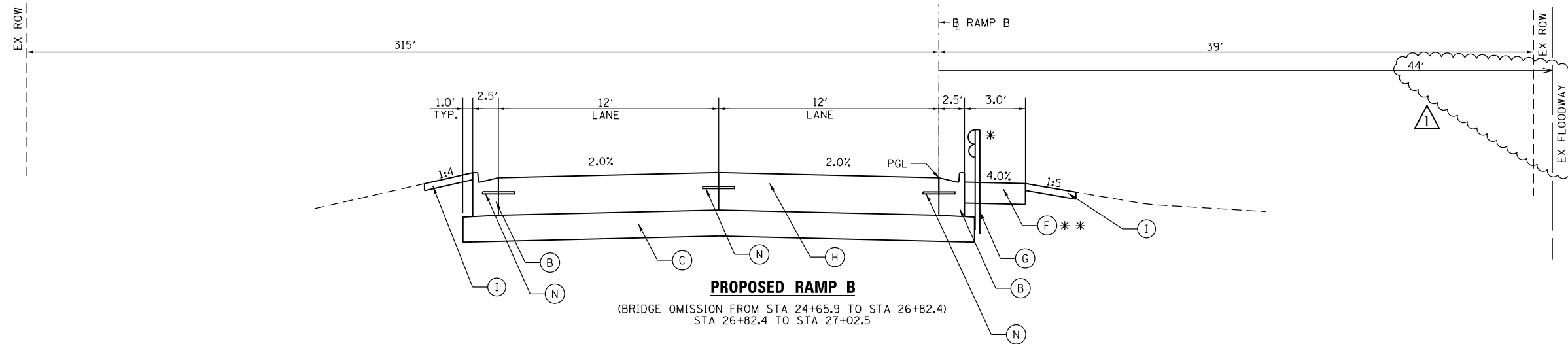
SHEET NO. 2 OF 4 SHEETS STA. TO STA.

F.A.P. RTE.	SECTION	COUNTY	TOTAL SHEETS	SHEET NO.
305	15161-1	COOK	151	20
CONTRACT NO. 60D77				
FED. ROAD DIST. NO. ILLINOIS FED. AID PROJECT				

PLAN	SURVEYED	DATE
	PLOTTED	
	GRADES CHECKED	
	STRUCTURE NOTATIONS CHECKED	
NOTE BOOK NO.	FILE NAME	

PROFILE	SURVEYED	DATE
	PLOTTED	
	GRADES CHECKED	
	STRUCTURE NOTATIONS CHECKED	
NOTE BOOK NO.	FILE NAME	

FILE NAME = 60077-shl.tg-pr-rampB_03.dgn



LEGEND

- (A) PORTLAND CEMENT CONCRETE PAVEMENT 9" (JOINTED)
- (B) COMBINATION CONCRETE CURB & GUTTER, TYPE B-6.24
- (C) AGGREGATE SUBGRADE IMPROVEMENT 12" (TYP.)
- (D) HMA DRIVEWAY PAVEMENT 8"
- (E) DEPRESSED CURB AND GUTTER
- (F) AGGREGATE SHOULDERS TYPE B 8"
- (G) STEEL PLATE BEAM GUARDRAIL TYPE A 6' POSTS
- (H) PAVEMENT CONNECTOR (PCC) W/ WELDED WIRE REINFORCEMENT 15"
- (I) EXCAVATE & PLACE TOPSOIL, 4" W/ EROSION CONTROL BLANKET & CLASS 2A SEEDING
- (J) PORTLAND CEMENT CONCRETE SHOULDER 9"
- (K) CONCRETE MEDIAN, TYPE SB-6.12
- (L) HOT-MIX ASPHALT SURFACE COURSE MIX "D" N50, 2"
- (M) PORTLAND CEMENT CONCRETE BASE COURSE WIDENING, 10"
- (N) EPOXY COAST, DEFORMED, NO. 6 TIE BARS, 24" LONG @ 24" C-C. COST INCIDENTAL TO PCC PAVEMENT
- (O) PREFORMED BOND BREAKER EXPANSION JOINT

GUARDRAIL LIMITS

* STA 26+81.8 TO STA 28+77.1

AGGREGATE SHOULDER LIMITS

** STA 26+81.3 TO STA 29+06.9

NOTE

PAVEMENT CONNECTOR (PCC) W/ WELDED WIRE REINFORCEMENT 15" (ITEM H) IS REPRESENTED TO BE THICKER THAN PORTLAND CEMENT CONCRETE PAVEMENT 10 1/4" (ITEM A). SECTIONS INCLUDING ITEM H SHALL SACRIFICE APPROXIMATELY 3" OF AGGREGATE SUBGRADE IMPROVEMENT (ITEM C) IN ORDER TO MAINTAIN A TYPICAL ROADWAY SECTION THICKNESS OF 22 1/4".

REVISD 4/10/2020 SEP



USER NAME = untitled	DESIGNED KMB	REVISED 04-07-2020
	DRAWN CJF	REVISED
PLOT SCALE = 20.0000' / in.	CHECKED JNH	REVISED
PLOT DATE = 4/7/2020	DATE 01-24-2020	REVISED

STATE OF ILLINOIS
DEPARTMENT OF TRANSPORTATION

WILLOW ROAD AT DES PLAINES RIVER
PROPOSED TYPICAL SECTIONS
RAMP B

SHEET NO. 3 OF 4 SHEETS STA. TO STA.

F.A.P. RTE.	SECTION	COUNTY	TOTAL SHEETS	SHEET NO.
305	15161-1	COOK	151	21
FED. ROAD DIST. NO.			ILLINOIS FED. AID PROJECT	
			CONTRACT NO. 60D77	

PLAN	SURVEYED	DATE
	PLOTTED	
	GRADES CHECKED	
	STRUCTURE NOTATIONS CHECKED	
	NOTE BOOK NO.	
	BY	

PROFILE	SURVEYED	DATE
	PLOTTED	
	GRADES CHECKED	
	STRUCTURE NOTATIONS CHECKED	
	NOTE BOOK NO.	
	BY	

FILE NAME = 60D77-shl.tbl.tgpr-rampB-04.dgn

LEGEND

- (A) PORTLAND CEMENT CONCRETE PAVEMENT 9" (JOINTED)
- (B) COMBINATION CONCRETE CURB & GUTTER, TYPE B-6.24
- (C) AGGREGATE SUBGRADE IMPROVEMENT 12" (TYP.)
- (D) HMA DRIVEWAY PAVEMENT 8"
- (E) DEPRESSED CURB AND GUTTER
- (F) AGGREGATE SHOULDERS TYPE B 8"
- (G) STEEL PLATE BEAM GUARDRAIL TYPE A 6' POSTS
- (H) PAVEMENT CONNECTOR (PCC) W/ WELDED WIRE REINFORCEMENT 15"
- (I) EXCAVATE & PLACE TOPSOIL, 4" W/ EROSION CONTROL BLANKET & CLASS 2A SEEDING
- (J) PORTLAND CEMENT CONCRETE SHOULDER 9"
- (K) CONCRETE MEDIAN, TYPE SB-6.12
- (L) HOT-MIX ASPHALT SURFACE COURSE MIX "D" N50, 2"
- (M) PORTLAND CEMENT CONCRETE BASE COURSE WIDENING, 10"
- (N) EPOXY COAST, DEFORMED, NO. 6 TIE BARS, 24" LONG @ 24" C-C. COST INCIDENTAL TO PCC PAVEMENT
- (O) PREFORMED BOND BREAKER EXPANSION JOINT

GUARDRAIL LIMITS

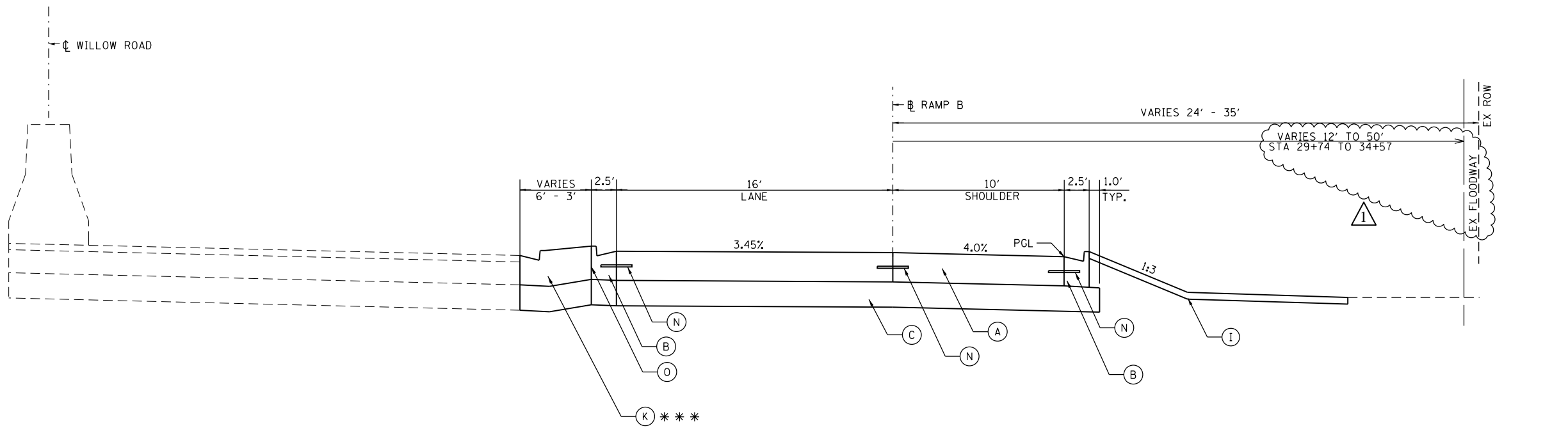
* STA 26+81.8 TO STA 28+77.1

AGGREGATE SHOULDER LIMITS

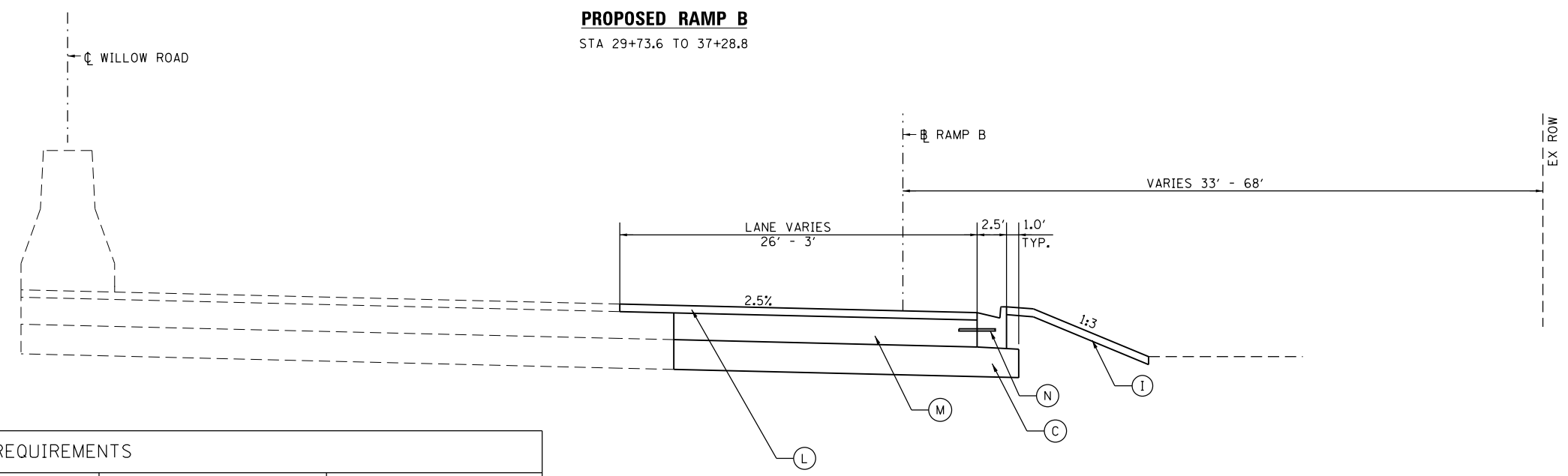
** STA 26+81.3 TO STA 29+06.9

CONCRETE MEDIAN LIMITS

*** STA 34+87.7 TO STA 37+80.4



PROPOSED RAMP B
STA 29+73.6 TO 37+28.8



PROPOSED RAMP B
STA 37+28.8 TO 40+64.3

HOT-MIX ASPHALT MIXTURE REQUIREMENTS		
MIXTURE TYPE	AIR VOIDS (%) @ Ndes	QUALITY MANAGEMENT
PAVEMENT RESURFACING (RAMPS B & D)		
HMA SURFACE COURSE, MIX "D", N70, (IL-9.5mm), 2"	4% AT 70 GYR.	QA/QC
DRIVEWAY		
HMA SURFACE COURSE, MIX "D", N50, (IL-9.5mm), 2"	4% AT 50 GYR.	QA/QC
HMA BASE COURSE (HMA BINDER IL-19.0mm), 6"	4% AT 50 GYR.	QA/QC
CLASS D PATCHING		
2" - HMA SURFACE COURSE, MIX "D", N70 (IL-9.5mm)	4% AT 70 GYR.	QA/QC
10" - HMA BINDER IL-19.0mm	4% AT 70 GYR.	QA/QC

NOTE 1: THE UNIT WEIGHT USED TO CALCULATE ALL HMA SURFACE MIXTURES IS 112 LBS/SQ YD / IN

NOTE 2: THE "AC TYPE" FOR POLYMERIZED HMA MIXES SHALL BE "SBS/SBR PG 76-22" AND FOR NON-POLYMERIZED HMA THE "AC TYPE" SHALL BE "PG 64-22" UNLESS MODIFIED BY DISTRICT ONE SPECIAL PROVISIONS.

NOTE 3: FOR USE OF RECYCLED MATERIALS, SEE SPECIAL PROVISIONS.

wight	USER NAME = untitled	DESIGNED KMB	REVISED 04-07-2020
		DRAWN CJF	REVISED
	PLOT SCALE = 20.0000' / in.	CHECKED JNH	REVISED
	PLOT DATE = 4/7/2020	DATE 01-24-2020	REVISED

STATE OF ILLINOIS
DEPARTMENT OF TRANSPORTATION

WILLOW ROAD AT DES PLAINES RIVER
PROPOSED TYPICAL SECTIONS
RAMP B

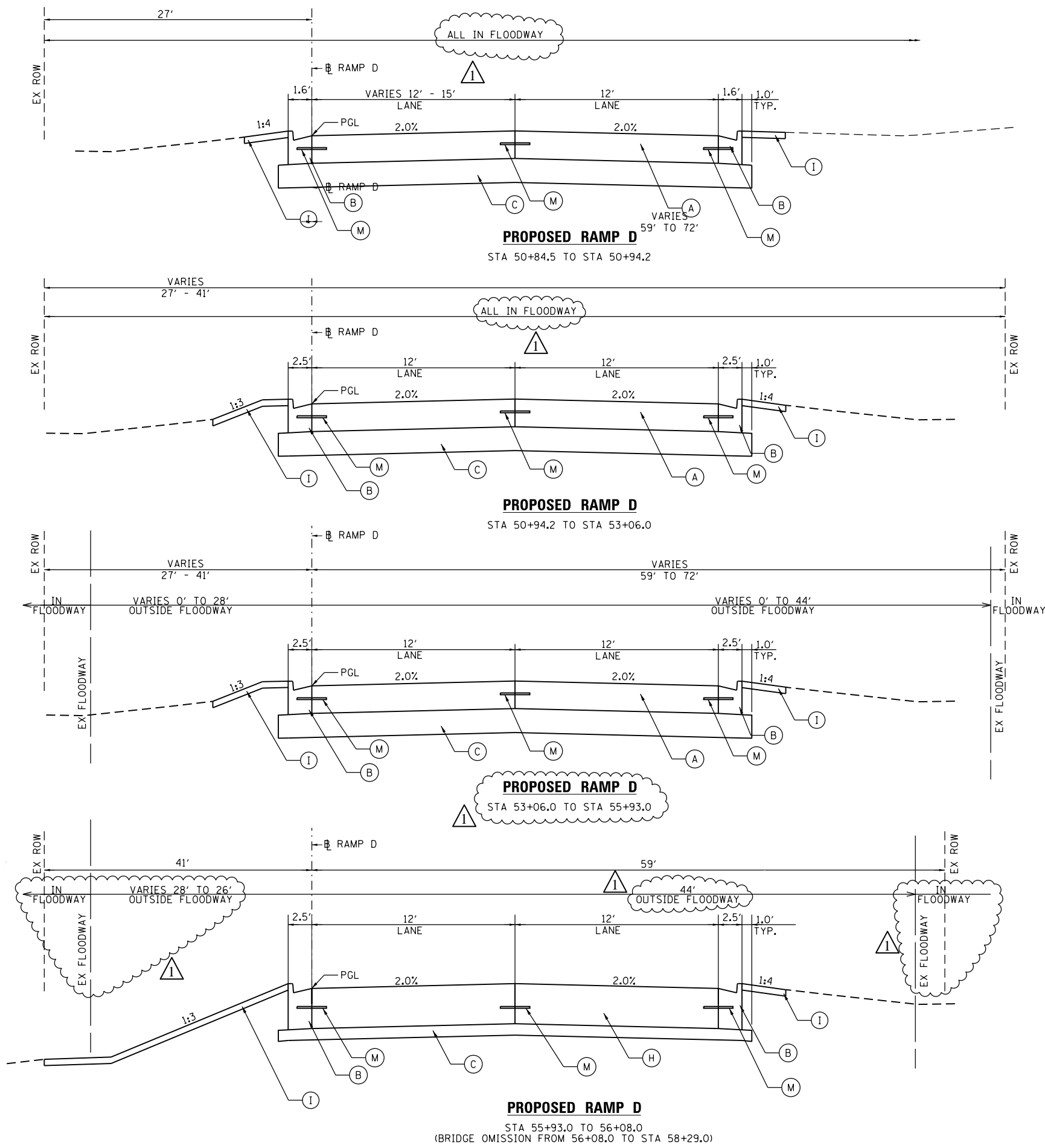
F.A.P. RTE.	SECTION	COUNTY	TOTAL SHEETS	SHEET NO.
305	15161-1	COOK	151	22
CONTRACT NO. 60D77				
FED. ROAD DIST. NO. ILLINOIS FED. AID PROJECT				

REVISD 4/10/2020 SEP

PLAN	SURVEYED	DATE
	PLOTTED	
	GRADES CHECKED	
	STRUCTURE NOTATIONS CHECKED	
	NOTE BOOK NO.	
	BY	

PROFILE	SURVEYED	DATE
	PLOTTED	
	GRADES CHECKED	
	STRUCTURE NOTATIONS CHECKED	
	NOTE BOOK NO.	
	BY	

FILE NAME = 60077-shl.tg-pr-rampD_01.dgn



LEGEND

- (A) PORTLAND CEMENT CONCRETE PAVEMENT 9" (JOINTED)
- (B) COMBINATION CONCRETE CURB & GUTTER, TYPE B-6.24
- (C) AGGREGATE SUBGRADE IMPROVEMENT 12" (TYP.)
- (D) HMA DRIVEWAY PAVEMENT 8"
- (E) DEPRESSED CURB AND GUTTER
- (F) AGGREGATE SHOULDERS TYPE B 8"
- (G) STEEL PLATE BEAM GUARDRAIL TYPE A 6' POSTS
- (H) PAVEMENT CONNECTOR (PCC) W/ WELDED WIRE REINFORCEMENT 15"
- (I) EXCAVATE & PLACE TOPSOIL, 4" W/ EROSION CONTROL BLANKET & CLASS 2A SEEDING
- (J) PORTLAND CEMENT CONCRETE SHOULDER 9"
- (K) HOT-MIX ASPHALT SURFACE COURSE MIX "D" N50, 2"
- (L) PORTLAND CEMENT CONCRETE BASE COURSE WIDENING, 10"
- (M) EPOXY COAST, DEFORMED, NO. 6 TIE BARS, 24" LONG @ 24" C-C, COST INCIDENTAL TO PCC PAVEMENT
- (N) PREFORMED BOND BREAKER EXPANSION JOINT

NOTE

PAVEMENT CONNECTOR (PCC) W/ WELDED WIRE REINFORCEMENT 15" (ITEM H) IS REPRESENTED TO BE THICKER THAN PORTLAND CEMENT CONCRETE PAVEMENT 10 1/4" (ITEM A). SECTIONS INCLUDING ITEM H SHALL SACRIFICE APPROXIMATELY 3" OF AGGREGATE SUBGRADE IMPROVEMENT (ITEM C) IN ORDER TO MAINTAIN A TYPICAL ROADWAY SECTION THICKNESS OF 22 1/4".

REVISED 4/10/2020 SEP



USER NAME = untitled	DESIGNED KMB	REVISED 04-07-2020
PLOT SCALE = 20.0000' / in.	DRAWN CJF	REVISED
PLOT DATE = 4/7/2020	CHECKED JNH	REVISED
	DATE 01-24-2020	REVISED

STATE OF ILLINOIS
DEPARTMENT OF TRANSPORTATION

WILLOW ROAD AT DES PLAINES RIVER
PROPOSED TYPICAL SECTIONS
RAMP D

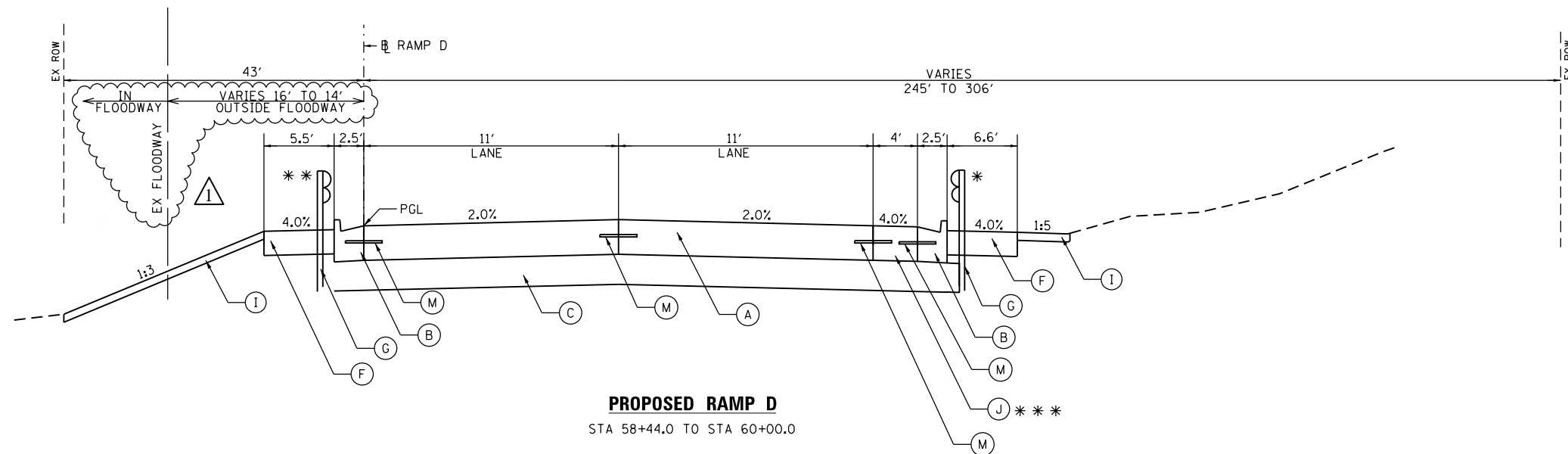
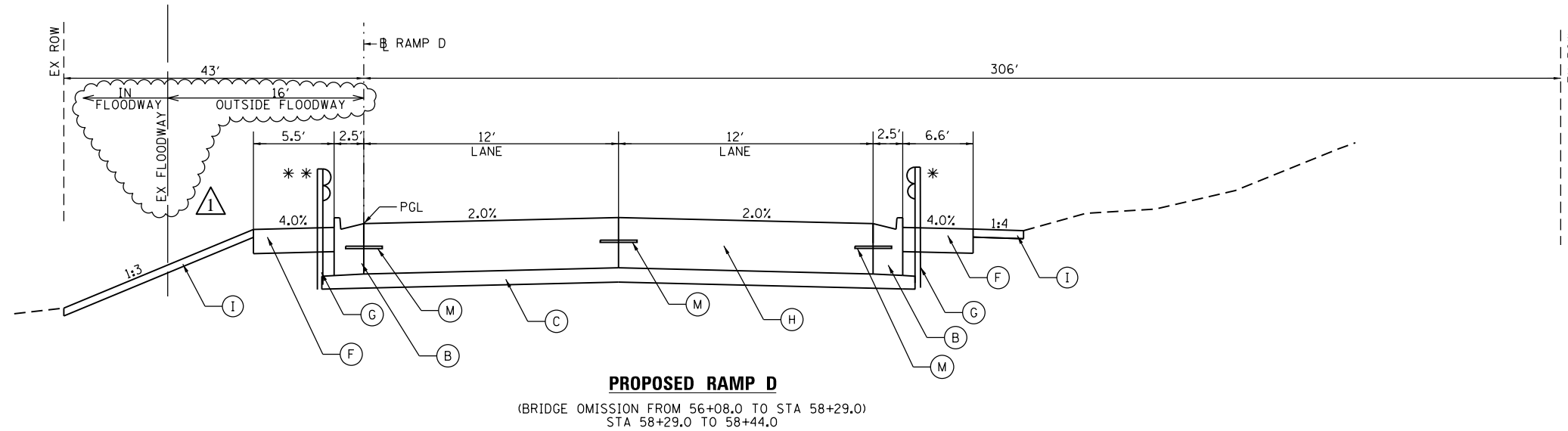
SHEET NO. 1 OF 3 SHEETS STA. TO STA.

F.A.P. RTE.	SECTION	COUNTY	TOTAL SHEETS	SHEET NO.
305	15161-1	COOK	151	23
FED. ROAD DIST. NO.			ILLINOIS FED. AID PROJECT	
			CONTRACT NO. 60D77	

PLAN	SURVEYED	DATE
	PLOTTED	
	GRADES CHECKED	
	ALIGNMENT CHECKED	
	STRUCTURE NOT AT THIS OFFICE	
	NOTE BOOK NO.	
	BY	

PROFILE	SURVEYED	DATE
	PLOTTED	
	GRADES CHECKED	
	STRUCTURE NOT AT THIS OFFICE	
	NOTE BOOK NO.	
	BY	

FILE NAME = 60077-shl.tg-pr-rampD_02.dgn



LEGEND

- (A) PORTLAND CEMENT CONCRETE PAVEMENT 9" (JOINTED)
- (B) COMBINATION CONCRETE CURB & GUTTER, TYPE B-6.24
- (C) AGGREGATE SUBGRADE IMPROVEMENT 12" (TYP.)
- (D) HMA DRIVEWAY PAVEMENT 8"
- (E) DEPRESSED CURB AND GUTTER
- (F) AGGREGATE SHOULDERS TYPE B 8"
- (G) STEEL PLATE BEAM GUARDRAIL TYPE A 6' POSTS
- (H) PAVEMENT CONNECTOR (PCC) W/ WELDED WIRE REINFORCEMENT 15"
- (I) EXCAVATE & PLACE TOPSOIL, 4" W/ EROSION CONTROL BLANKET & CLASS 2A SEEDING
- (J) PORTLAND CEMENT CONCRETE SHOULDER 9"
- (K) HOT-MIX ASPHALT SURFACE COURSE MIX "D" N50, 2"
- (L) PORTLAND CEMENT CONCRETE BASE COURSE WIDENING, 10"
- (M) EPOXY COAST, DEFORMED, NO. 6 TIE BARS, 24" LONG @ 24" C-C. COST INCIDENTAL TO PCC PAVEMENT
- (N) PREFORMED BOND BREAKER EXPANSION JOINT

GUARDRAIL LIMITS

- * STA 58+14.0 TO STA 60+69.4
- ** STA 58+26.5 TO STA 60+49.7

PCC SHOULDER LIMITS

- *** STA 58+54.7 TO STA 61+02.0

NOTE

PAVEMENT CONNECTOR (PCC) W/ WELDED WIRE REINFORCEMENT 15" (ITEM H) IS REPRESENTED TO BE THICKER THAN PORTLAND CEMENT CONCRETE PAVEMENT 10 1/4" (ITEM A). SECTIONS INCLUDING ITEM H SHALL SACRIFICE APPROXIMATELY 3" OF AGGREGATE SUBGRADE IMPROVEMENT (ITEM C) IN ORDER TO MAINTAIN A TYPICAL ROADWAY SECTION THICKNESS OF 22 1/4".

1 REVISED 4/10/2020 SEP



USER NAME = untitled	DESIGNED KMB	REVISED 04-07-2020
	DRAWN CJF	REVISED
PLOT SCALE = 20.0000' / in.	CHECKED JNH	REVISED
PLOT DATE = 4/7/2020	DATE 01-24-2020	REVISED

STATE OF ILLINOIS
DEPARTMENT OF TRANSPORTATION

WILLOW ROAD AT DES PLAINES RIVER
PROPOSED TYPICAL SECTIONS
RAMP D

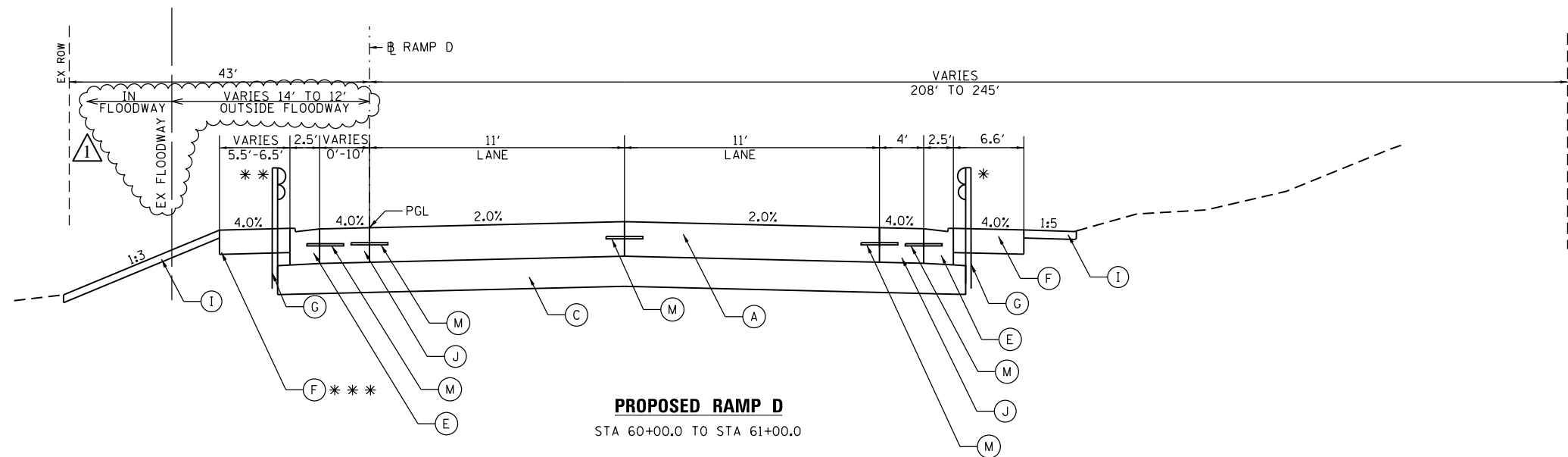
SHEET NO. 2 OF 3 SHEETS STA. TO STA.

F.A.P. RTE.	SECTION	COUNTY	TOTAL SHEETS	SHEET NO.
305	15161-1	COOK	151	24
CONTRACT NO. 60D77				
FED. ROAD DIST. NO. ILLINOIS FED. AID PROJECT				

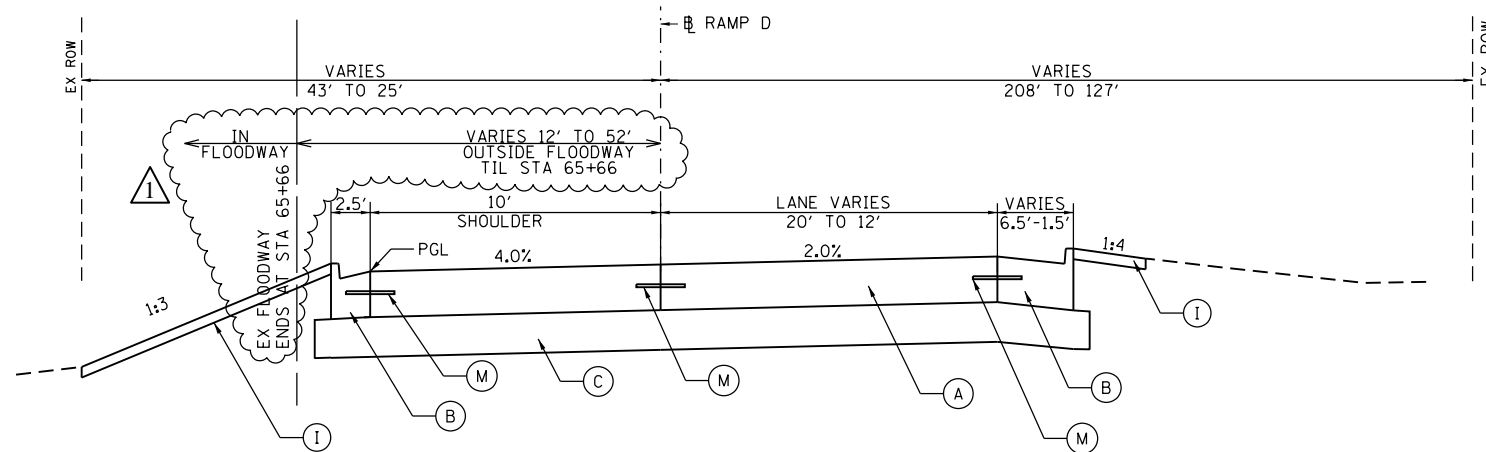
PLAN	SURVEYED	DATE
	PLOTTED	BY
	GRADES CHECKED	
	STRUCTURE NOT AT THIS OFFICE	
	NOTE BOOK NO.	

PROFILE	SURVEYED	DATE
	PLOTTED	BY
	GRADES CHECKED	
	STRUCTURE NOT AT THIS OFFICE	
	NOTE BOOK NO.	

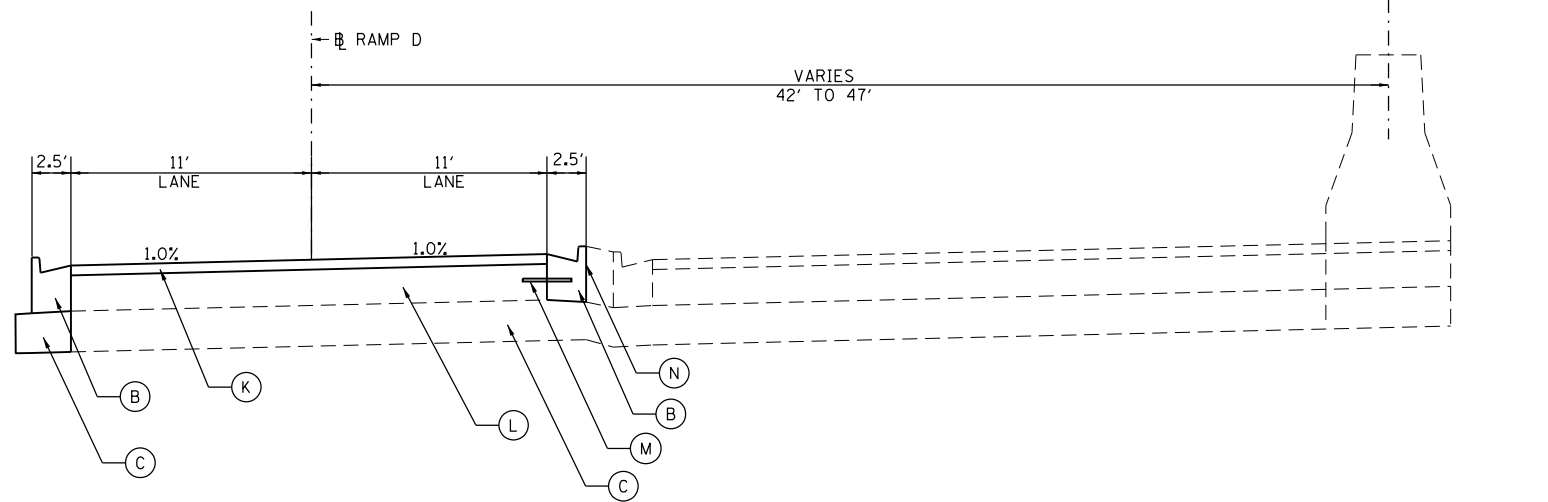
FILE NAME = 60077-shl.tgpr-rampD_03.dgn



PROPOSED RAMP D
STA 60+00.0 TO STA 61+00.0



PROPOSED RAMP D
STA 61+00.0 TO STA 68+25



PROPOSED RAMP D
STA 68+25 TO STA 68+70

LEGEND

- (A) PORTLAND CEMENT CONCRETE PAVEMENT 9" (JOINTED)
- (B) COMBINATION CONCRETE CURB & GUTTER, TYPE B-6.24
- (C) AGGREGATE SUBGRADE IMPROVEMENT 12" (TYP.)
- (D) HMA DRIVEWAY PAVEMENT 8"
- (E) DEPRESSED CURB AND GUTTER
- (F) AGGREGATE SHOULDERS TYPE B 8"
- (G) STEEL PLATE BEAM GUARDRAIL TYPE A 6' POSTS
- (H) PAVEMENT CONNECTOR (PCC) W/ WELDED WIRE REINFORCEMENT 15"
- (I) EXCAVATE & PLACE TOPSOIL, 4" W/ EROSION CONTROL BLANKET & CLASS 2A SEEDING
- (J) PORTLAND CEMENT CONCRETE SHOULDER 9"
- (K) HOT-MIX ASPHALT SURFACE COURSE MIX "D" N50, 2"
- (L) PORTLAND CEMENT CONCRETE BASE COURSE WIDENING, 10"
- (M) EPOXY COAST, DEFORMED, NO. 6 TIE BARS, 24" LONG @ 24" C-C. COST INCIDENTAL TO PCC PAVEMENT
- (N) PREFORMED BOND BREAKER EXPANSION JOINT

GUARDRAIL LIMITS

- * STA 58+14.0 TO STA 60+69.4
- ** STA 58+26.5 TO STA 60+49.7

AGGREGATE SHOULDER LIMITS

- *** STA 58+29.0 TO STA 60+67.9



USER NAME = untitled	DESIGNED KMB	REVISED 04-07-2020
	DRAWN CJF	REVISED
PLOT SCALE = 20.0000' / in.	CHECKED JNH	REVISED
PLOT DATE = 4/7/2020	DATE 01-24-2020	REVISED

STATE OF ILLINOIS
DEPARTMENT OF TRANSPORTATION

WILLOW ROAD AT DES PLAINES RIVER
PROPOSED TYPICAL SECTIONS
RAMP D

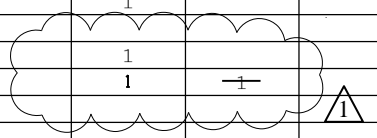
SHEET NO. 3 OF 3 SHEETS STA. TO STA.

REVIS 4/10/2020 SEP

F.A.P. RTE.	SECTION	COUNTY	TOTAL SHEETS	SHEET NO.
305	15161-1	COOK	151	25
CONTRACT NO. 60D77				
FED. ROAD DIST. NO. ILLINOIS FED. AID PROJECT				

DRAINAGE SCHEDULE (STRUCTURES)

STORM STRUCTURE CALLOUT	LOCATION		INLET AND PIPE PROTECTION (EACH)	INLET FILTERS (EACH)	PRECAST REINFORC ED 12" (EACH)	GRATING FOR PRECAST 12" (EACH)	CATCH BASIN TYPE A			MANHOLES, TYPE A			INLETS, TYPE A			MH TO BE ADJ NEW TYPE 1 FRAME, CLOSED (EACH)
							4'-DIA, TY24 F&G (EACH)	4'-DIA, TY 1 F CL LID (EACH)	5'-DIA, TY24 F&G (EACH)	6'-DIA TY 1 F CL LID (EACH)	7'-DIA TY 1 F OPEN LID (EACH)	7'-DIA TY 1 F CL LID (EACH)	TYPE 1 FRAME OPEN LID (EACH)	TYPE 11 FRAME AND (EACH)	TYPE 24 FRAME AND (EACH)	
RAMP B																
A1	21+17.74	33.50' LT	1												1	
A2	22+88.00	31.50' LT	1												1	
A3	35+04	6.5' LT		1											1	
A4	37+29	11.6' LT		1											1	
B1	20+97.35	8.40' RT		1									1			
B2	21+23.80	1.45' RT		1			1									
B3	20+97.3	22.5' LT		1									1			
B4	21+23.80	22.80' LT		1				1								
B5	22+97.90	0.00' RT		1										1		
B6	22+97.90	24.0' LT		1			1									
B7	28+45	20' LT	1				1									
B7A	400+50	55' RT		1							1					
B8	30+78	10' RT		1										1		
B9	30+53	8.4' RT		1			1									
B10	30+28	6.1' RT		1			1									
B11	29+75	0' RT		1			1									
B11A	401+50	52' RT	1								1					
B12	32+73.27	10.0' RT		1										1		
B13	33+61.77	10.0' RT		1			1									
B14	33+81.45	10.0' RT		1			1									
B15	34+30.58	10.0' RT		1			1									
B15A	36+68.49	10.0' RT		1										1		
B16	33+96.16	10.0' RT		1			1									
B16A	33+96.52	3.1' LT		1					1							
X1	37+80	8.5' RT		1			1									
X2	38+33	6.9' RT		1			1							1		
X3	39+62.4	3.0' RT		1												
X6	39+79	15.8' RT		1									1			
RAMP D																
D1	51+03.1	0.0' LT		1										1		
D2	51+57.08	0.0' LT		1											1	
D3	51+30.10	0.0' LT		1			1									
D4	51+02.90	23.85' RT		1									1			
D5	51+57.08	24.0' RT		1										1		
D6	51+30.10	24.0' RT		1			1									
D7	54+00.00	24.0' RT		1										1		
D8	54+00.00	0.0' LT		1			1									
D9	54+00.00	22.5' LT	1		1											
D9G	54+00.00	22.5' LT				1										
D10	59+51	26' RT		1			1									
D11	59+36	26' RT		1			1									
D12	59+46	0' LT		1			1									
D12A	59+14	0' LT		1			1									
D13	59+36	0' LT		1			1									
D14	59+41	27.9' LT	1		1											
D14G	59+41	27.9' LT				1										
D15	60+50	25' RT		1			1									
D16	61+15	10' LT		1										1		
D17	60+50	5.1' LT		1			1									
D18	60+50	27.2' LT	1		1											
D18G	60+50	27.2' LT				1										
14	64+13	3.4' LT		1			1									
17	65+50	3.46' LT		1			1									
18	405+86	52' LT		1			1									
X4	64+13	24.0' LT	1		1											
X4G	64+13	24.0' LT				1										
X5	65+50	24.0' LT	1		1											
X5G	65+50	24.0' LT				1										
TOTAL			9	43	5	5	24	1	1	1	1	1	5	8	4	



PLAN	SURVEYED	DATE
	PLOTTED	
	GRADES CHECKED	
	STRUCTURE NOTATIONS CHECKED	
	NOTE BOOK NO.	
	BY	

PROFILE	SURVEYED	DATE
	PLOTTED	
	GRADES CHECKED	
	STRUCTURE NOTATIONS CHECKED	
	NOTE BOOK NO.	
	BY	

FILE NAME = 60077-shl-sch_07.dgn



USER NAME = untitled	DESIGNED KMB	REVISED 04-07-2020
	DRAWN CJF	REVISED
PLOT SCALE = 2.0000' / in.	CHECKED JNH	REVISED
PLOT DATE = 4/7/2020	DATE 01-24-2020	REVISED

**STATE OF ILLINOIS
DEPARTMENT OF TRANSPORTATION**

**WILLOW ROAD AT DES PLAINES RIVER
DRAINAGE SCHEDULE (STRUCTURES)**

F.A.P. RTE.	SECTION	COUNTY	TOTAL SHEETS	SHEET NO.
305	15161-1	COOK	151	28
CONTRACT NO. 60D77				
FED. ROAD DIST. NO. ILLINOIS FED. AID PROJECT				

REVISD 4/10/2020 SEP

SHEET NO. 3 OF 10 SHEETS STA. TO STA.

DRAINAGE SCHEDULE (PIPES)

STORM SEWER CALLOUT	LOCATION			STORM SEWERS, CLASS A, TYPE 1	STORM SEWERS, CLASS A, TYPE 1	STORM SEWERS, CLASS A, TYPE 2	STORM SEWERS, CLASS A, TYPE 2
				10"	12"	12"	18"
				(FOOT)	(FOOT)	(FOOT)	(FOOT)
RAMP B							
B1	B1	TO	B2		24		
B2	B2	TO	B4		22		
B3	B3	TO	B2		23		
B4	B4	TO	A1		8		
B5	B5	TO	B6		21		
B6	B6	TO	A2		9		
B7	B7	TO	B7A			21	21
B8	B8	TO	B9		22		
B9	B9	TO	B10		21		
B10	B10	TO	B11		49		
B11	B11	TO	B11A			28	28
B12	B12	TO	B13		85		
B13	B13	TO	B14		16		
B14	B14	TO	B16		11		
B15	B15	TO	B16		33		
B15A	B15A	TO	B15		234		
B16	B16	TO	B16A				
X1	X1	TO	A4	55			
X2	X2	TO	EXIST	15			
X3	X3	TO	EXIST	6			
X6	X6	TO	X1		24		
RAMP D							
D1	D1	TO	D3		24		
D2	D2	TO	D3		24		
D3	D3	TO	D6		20		
D4	D4	TO	D6		24		
D5	D5	TO	D6		24		
D6	D7	TO	D8		21		
D7	D8	TO	D9		14		
D8	D10	TO	D11			13	
D9	D11	TO	D13			24	
D10	D10	TO	D13			18	
D10A	D12A	TO	D13			18	
D11	D13	TO	D14			20	
D12	D15	TO	D17		26		
D13	D16	TO	D17		62		
D14	D17	TO	D18		14		
13	14	TO	X4			6	
14	PLUG	TO	14			26	
16	17	TO	X5				6
17	18	TO	17	12			
18	PLUG	TO	17			25	
				88	855	199	55

PIPE UNDERDRAIN SCHEDULE

CALLOUT	LOCATION	LENGTH
Ramp B		
U2	21+23	22.0
U5	30+25	25.0
U6	33+83	27.0
SUBTOTAL:		74.0
Ramp D		
U1	51+29	22.0
U3	59+36	30.0
U4	65+44	24.0
SUBTOTAL:		76.0
TOTAL		150.0



PLAN	SURVEYED	DATE
	PLOTTED	
	GRADES CHECKED	
	STRUCTURE NOTATIONS CHECKED	
	NOTE BOOK NO.	

PROFILE	SURVEYED	DATE
	PLOTTED	
	GRADES CHECKED	
	STRUCTURE NOTATIONS CHECKED	
	NOTE BOOK NO.	

FILE NAME = 60D77-shl-sch_09.dgn



USER NAME = untitled	DESIGNED KMB	REVISED 04-07-2020
	DRAWN CJF	REVISED
PLOT SCALE = 2.0000' / in.	CHECKED JNH	REVISED
PLOT DATE = 4/7/2020	DATE 01-24-2020	REVISED

**STATE OF ILLINOIS
DEPARTMENT OF TRANSPORTATION**

**WILLOW ROAD AT DES PLAINES RIVER
DRAINAGE SCHEDULE (PIPES)**

SHEET NO. 4 OF 10 SHEETS STA. TO STA.

F.A.P. RTE.	SECTION	COUNTY	TOTAL SHEETS	SHEET NO.
305	15161-1	COOK	151	29
CONTRACT NO. 60D77				
FED. ROAD DIST. NO. ILLINOIS FED. AID PROJECT				

REVISD 4/10/2020 SEP

STA. 51+30.1, 0.0' LT
 CB TA 4 DIA T 24F&G
 RIM = 639.52
 INV (S) = 635.05
 INV (E,W) = 635.25

24 LF STORM SEW
 CL A 1 12 @0.50% (D1)

STA. 51+03.1, 0.0' LT
 INLET TA T11F&G
 RIM = 639.56
 INV = 635.37

STA. 51+02.9, 23.85' RT
 INLET TA T11F&G
 RIM = 639.56
 INV = 635.17

24 LF STORM SEW
 CL A 1 12 @0.50% (D4)

STA. 51+30.1, 24.0' RT
 SEE NOTE #2
 CB TA 4 DIA T24F&G
 RIM = 639.52
 INV (S) = 634.55 +/- M.E., V.I.F.
 INV (N) = 634.85
 INV (E,W) = 635.05

(A1) EXISTING STRUCTURE (BURIED)
 ADJUST TO GRADE.
 REPLACE TYPE 1 F&CL
 EX. INVERT = 635.3 +/-

8 LF STORM SEW
 CL A 1 12 @1.0% MIN. (B4)
 CONNECT TO EXISTING STRUCTURE @ INV=635.7 +/-

(B3) 23 LF STORM SEW
 CL A 1 12 @1.00%

(B3) STA. 20+97.3, 22.5' LT
 INLET TA T11F&G
 RIM = 639.64
 INV (E) = 636.31

(B1) STA. 20+97.35, 8.40' RT
 INLET TA T11F&G
 RIM = 639.64
 INV (E) = 636.54

(B1) 24 LF STORM SEW
 CL A 1 12 @1.00%

(B2) STA. 21+23.80, 1.45' RT
 CB TA 4 DIA T24F&G
 RIM = 639.57
 INV (N) = 636.10
 INV (W) = 636.30

(U1) 22 LF P UNDERDR
 TY 2, 4

(D2) 24 LF STORM SEW
 CL A 1 12 @0.50%

(D2) STA. 51+57.08, 0.0' LT
 INLET TA T24F&G
 RIM = 639.56
 INV = 635.37

(D5) STA. 51+57.08, 24.0' RT
 INLET TA T24F&G
 RIM = 639.56
 INV = 635.17

(D5) 24 LF STORM SEW
 CL A 1 12 @0.50%

(D3) 20 LF STORM SEW
 CL A 1 12 @1.0%

(B4) STA. 21+23.80, 22.80' LT
 CB TA 5 DIA T24F&G
 RIM = 639.57
 INV (N) = 635.78
 INV (W) = 636.08
 INV (S) = 635.88

(B2) 22 LF STORM SEW
 CL A 1 12 @1.00%

(U2) 22 LF P UNDERDR
 TY 2, 4

(B5) 21 LF STORM SEW
 CL A 1 12 @1.00%

(B5) STA. 22+97.90, 0' RT
 INLET TA T24F&G
 RIM = 641.97
 INV (N) = 638.55

(B6) STA. 22+97.90, 24' LT
 CB TA 4 DIA T24F&G
 RIM = 641.97
 INV (N) = 638.24
 INV (S) = 638.34

(B6) 9 LF STORM SEW
 CL A 1 12 @1.0% MIN.
 CONNECT TO EXISTING
 STRUCTURE @ INV=638.15 +/-

(A2) EXISTING STRUCTURE (BURIED)
 ADJUST TO GRADE.
 REPLACE TYPE 1 F&CL
 EX. INVERT = 638.0 +/-

(D9) STA. 54+0.00, 22.5' LT
 PRC REINF E SECT 12
 INV = 636.57

(D7) 14 LF STORM SEW
 CL A 1 12 @1.0%

(D8) STA. 54+00.0, 0.0' LT
 CB TA 4 DIA T24F&G
 RIM = 641.04
 INV (N) = 636.71
 INV (S) = 636.91

(D6) 21 LF STORM SEW
 CL A 1 12 @0.50%

(D7) STA. 54+00.0, 24.0' RT
 INLET TA T24F&G
 RIM = 641.04
 INV (N) = 637.02

DES PLAINES RIVER

RAMP D

MATCHLINE STA. 399+00

RAMP B

DES PLAINES RIVER

NOTES

#1 SEE DRAINAGE REMOVAL SHEET FOR DRAINAGE REMOVAL DETAILS.

#2 INSTALL STRUCTURE D6 OVER EXISTING 12" STORM SEWER. CONTRACTOR TO VERIFY IN FIELD 12" INVERT AT LOCATION PRIOR TO SETTING STRUCTURE. NOTIFY ENGINEER OF ANY DISCREPANCY.

PLAN	SURVEYED	DATE
NOTE BOOK	PLOTTED	
NO.	GRADES CHECKED	
	STRUCTURE NOTATIONS CHECKED	

PROFILE	SURVEYED	DATE
NOTE BOOK	PLOTTED	
NO.	GRADES CHECKED	
	STRUCTURE NOTATIONS CHECKED	

FILE NAME = 60077-shl.drn_01.dgn



USER NAME = untitled	DESIGNED KMB	REVISED 04-07-2020
PLOT SCALE = 100.0000' / in.	DRAWN CJF	REVISED
PLOT DATE = 4/7/2020	CHECKED JNH	REVISED
	DATE 01-24-2020	REVISED

STATE OF ILLINOIS
 DEPARTMENT OF TRANSPORTATION

WILLOW ROAD AT DES PLAINES RIVER
 PROPOSED DRAINAGE PLAN

SCALE: 1" = 50' SHEET NO. 1 OF 2 SHEETS STA. 392+00 TO STA. 399+00

F.A.P. RTE.	SECTION	COUNTY	TOTAL SHEETS	SHEET NO.
305	15161-1	COOK	151	49
CONTRACT NO. 60D77				
FED. ROAD DIST. NO. ILLINOIS FED. AID PROJECT				

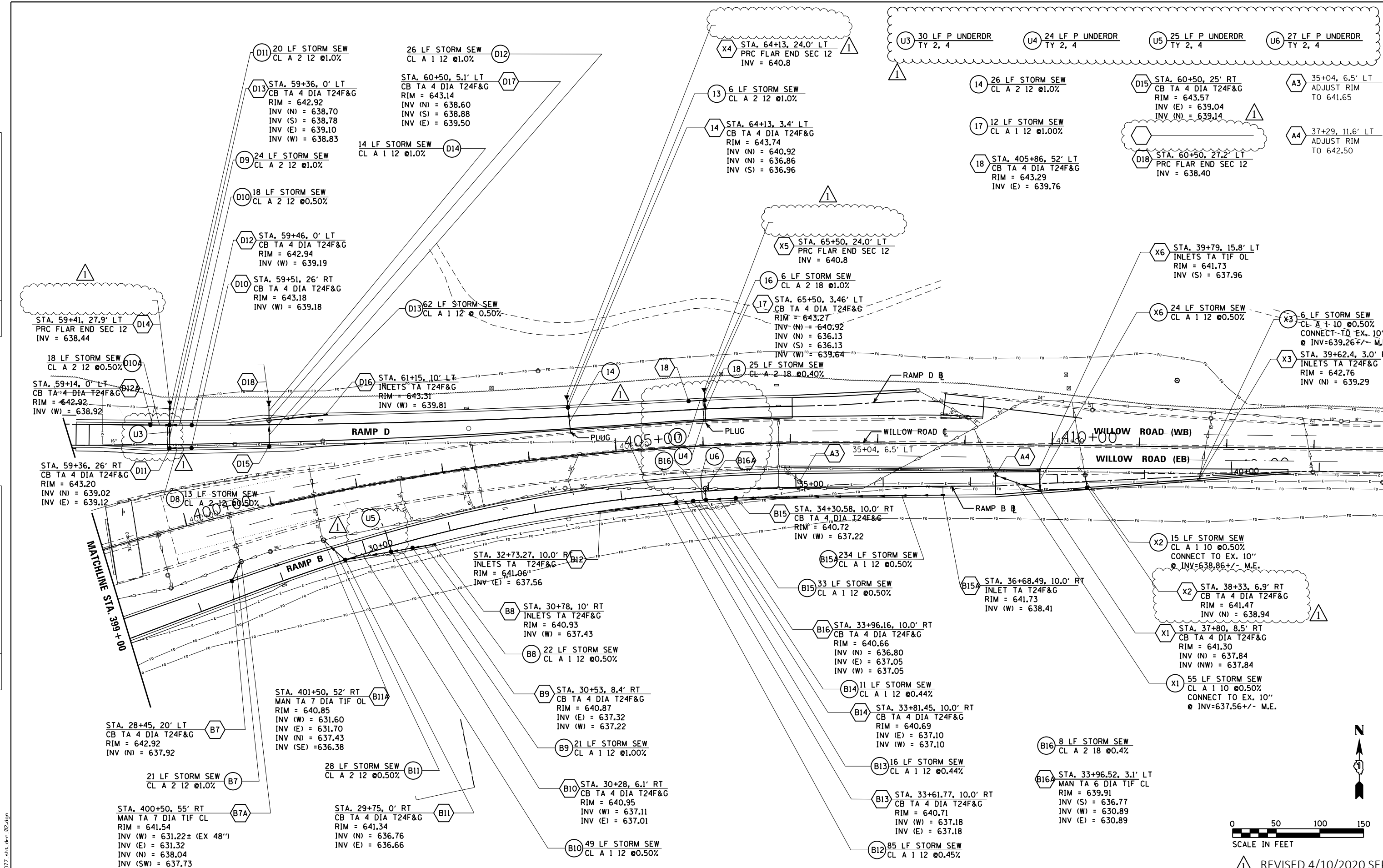


REVISED 4/10/2020 SEP



DATE	
BY	
PLAN	SURVEYED
	PLOTTED
	ALIGNED
	CHECKED
	FILED
	NO.

DATE	
BY	
PROFILE	SURVEYED
	PLOTTED
	GRADES
	CHECKED
	STRUCTURE
	NOTATIONS
	CHKD
	NO.



FILE NAME = 60D77-shl.dwg, 02.dwg



USER NAME =	untitled	DESIGNED	KMB	REVISED	04-07-2020
		DRAWN	CJF	REVISED	
PLOT SCALE =	100.0000' / in.	CHECKED	JNH	REVISED	
PLOT DATE =	4/7/2020	DATE	01-24-2020	REVISED	

STATE OF ILLINOIS
DEPARTMENT OF TRANSPORTATION

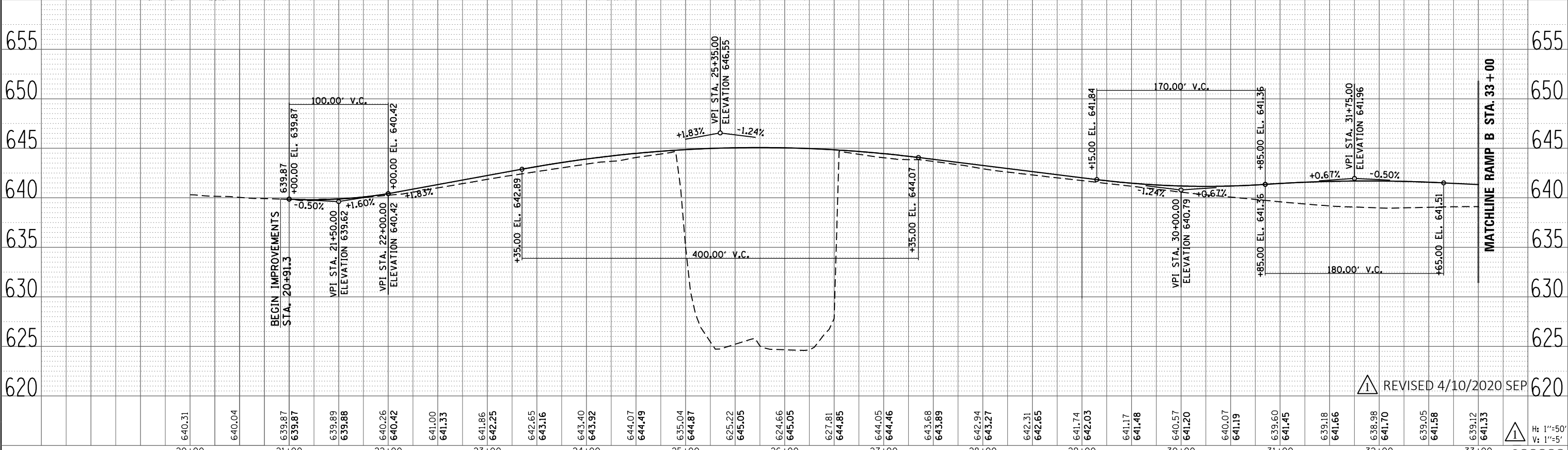
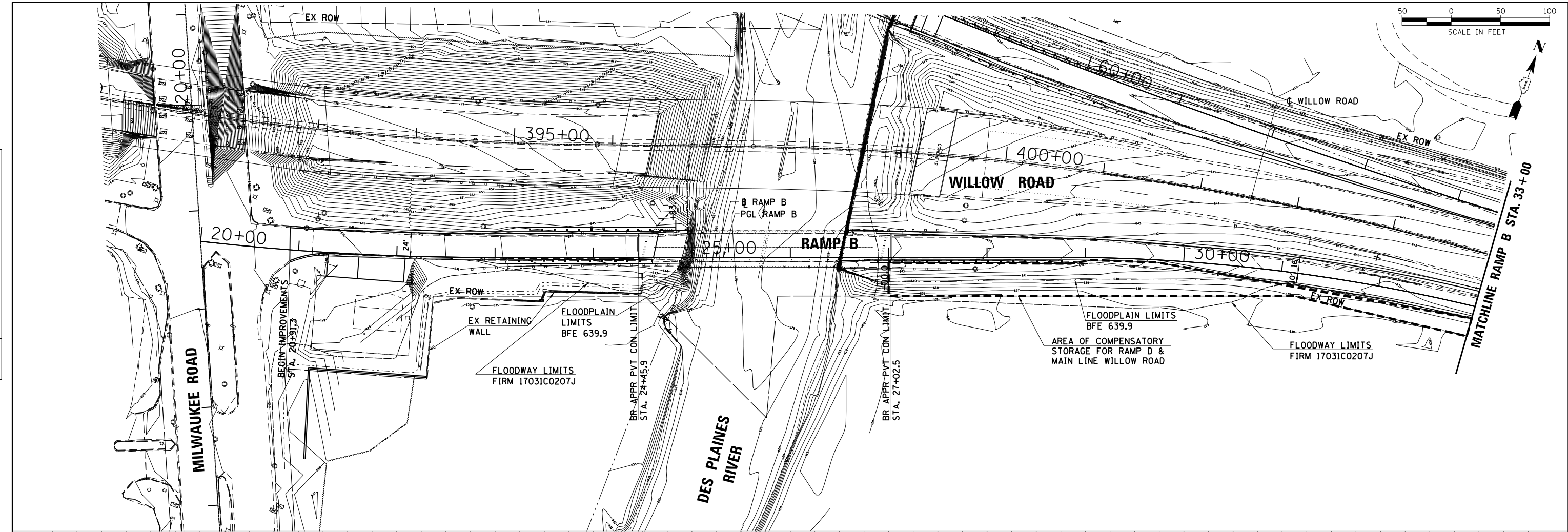
WILLOW ROAD AT DES PLAINES RIVER PROPOSED DRAINAGE PLAN	
SCALE: 1" = 50'	SHEET NO. 2 OF 2 SHEETS
STA. 399+00	TO STA. 413+88

F.A.P. R.T.E.	SECTION	COUNTY	TOTAL SHEETS	SHEET NO.
305	15161-1	COOK	151	50
CONTRACT NO. 60D77				
FED. ROAD DIST. NO. ILLINOIS FED. AID PROJECT				

REVISD 4/10/2020 SEP

PLAN	SURVEYED	BY	DATE
	PLOTTED		
	NOTE BOOK		
	NO.		
	ALIGNED		
	CHECKED		
	FILE NAME		
	NO.		

PROFILE	SURVEYED	BY	DATE
	PLOTTED		
	GRADES CHECKED		
	NO.		
	STRUCTURE		
	NOTATIONS		
	CHKD		



FILE NAME = 60D77-shl-ep1.dwg_01.dgn



USER NAME = untitled	DESIGNED KMB	REVISED 04-07-2020
	DRAWN CJF	REVISED
PLOT SCALE = 100.0000' / in.	CHECKED JNH	REVISED
PLOT DATE = 4/7/2020	DATE 01-24-2020	REVISED

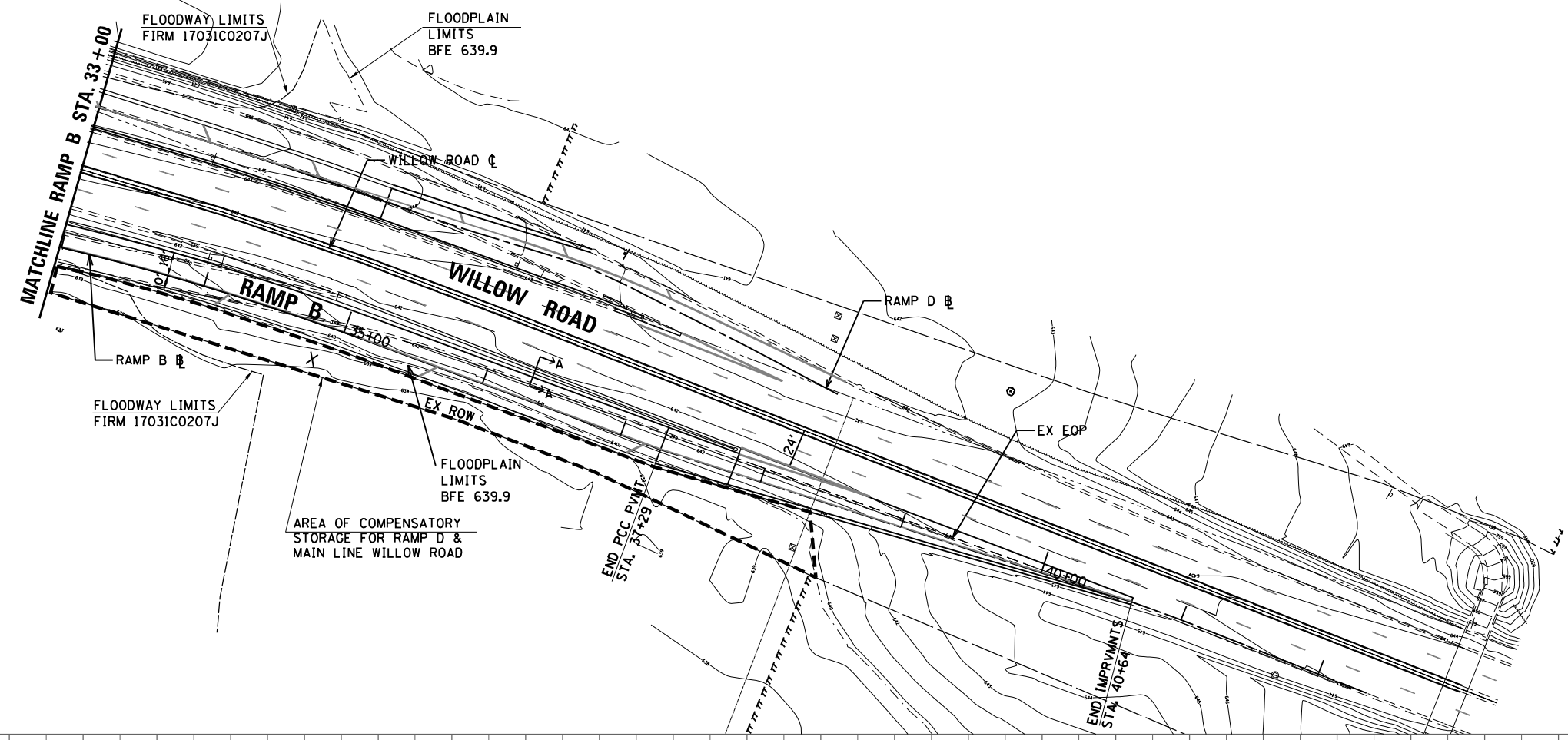
STATE OF ILLINOIS
DEPARTMENT OF TRANSPORTATION

WILLOW ROAD AT DES PLAINES RIVER FLOODWAY FLOODPLAIN EXHIBIT RAMP B		
SCALE: 1" = 50'	SHEET NO. 1 OF 2 SHEETS	STA. 20+00 TO STA. 33+00

F.A.P. RTE. 305	SECTION 15161-1	COUNTY COOK	TOTAL SHEETS 151	SHEET NO. 127A
FED. ROAD DIST. NO. ILLINOIS FED. AID PROJECT			CONTRACT NO. 60D77	

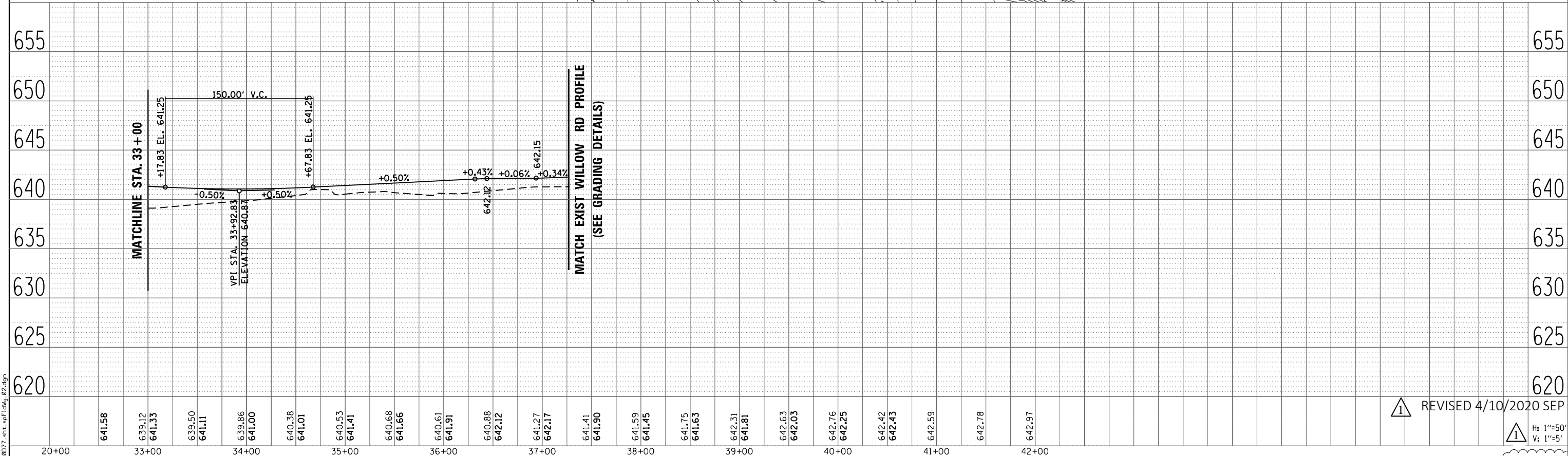
REVISION: REVISED 4/10/2020 SEP

H: 1"=50'
V: 1"=5'



PLAN	SURVEYED	BY	DATE
	PLOTTED		
	GRADES CHECKED		
	ALIGNMENT CHECKED		
	STRUCTURE NOTATIONS CHECKED		
	NOTE BOOK NO.		
	FILE NAME		

PROFILE	SURVEYED	BY	DATE
	PLOTTED		
	GRADES CHECKED		
	STRUCTURE NOTATIONS CHECKED		
	NOTE BOOK NO.		
	FILE NAME		



FILE NAME = 60D77-shl-sp1.dwg_02.dgn



USER NAME = untitled	DESIGNED KMB	REVISED 04-07-2020
	DRAWN CJF	REVISED
PLOT SCALE = 100.0000' / in.	CHECKED JNH	REVISED
PLOT DATE = 4/7/2020	DATE 01-24-2020	REVISED

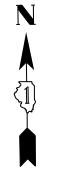
STATE OF ILLINOIS
DEPARTMENT OF TRANSPORTATION

SCALE: 1" = 50'		SHEET NO. 2 OF 2 SHEETS		STA. 33+00 TO STA. 42+00	
-----------------	--	-------------------------	--	--------------------------	--

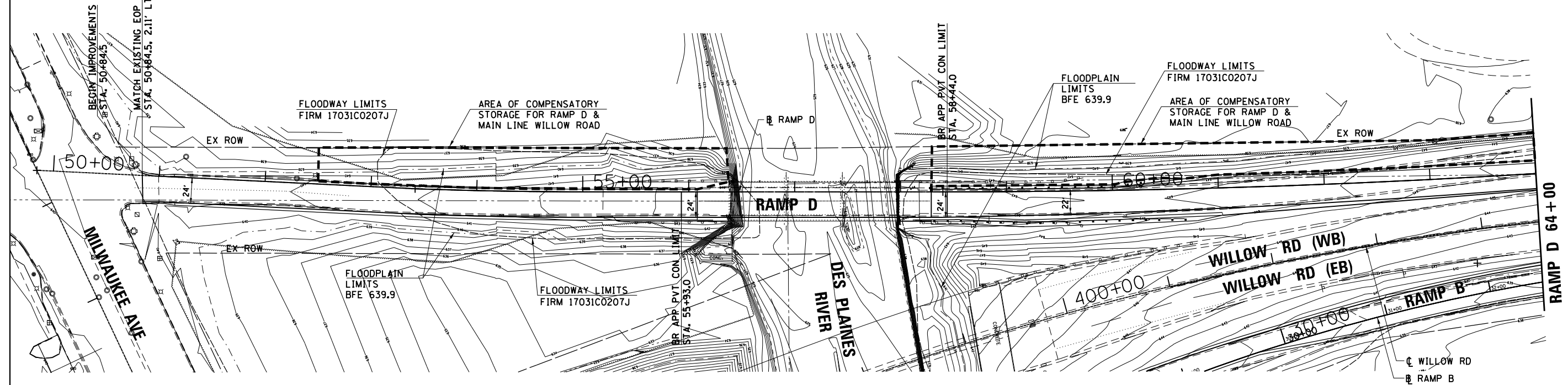
WILLOW ROAD AT DES PLAINES RIVER
FLOODWAY FLOODPLAIN EXHIBIT
RAMP B

F.A.P. RTE. 305	SECTION 1516I-1	COUNTY COOK	TOTAL SHEETS 151	SHEET NO. 127B
FED. ROAD DIST. NO. ILLINOIS FED. AID PROJECT			CONTRACT NO. 60D77	

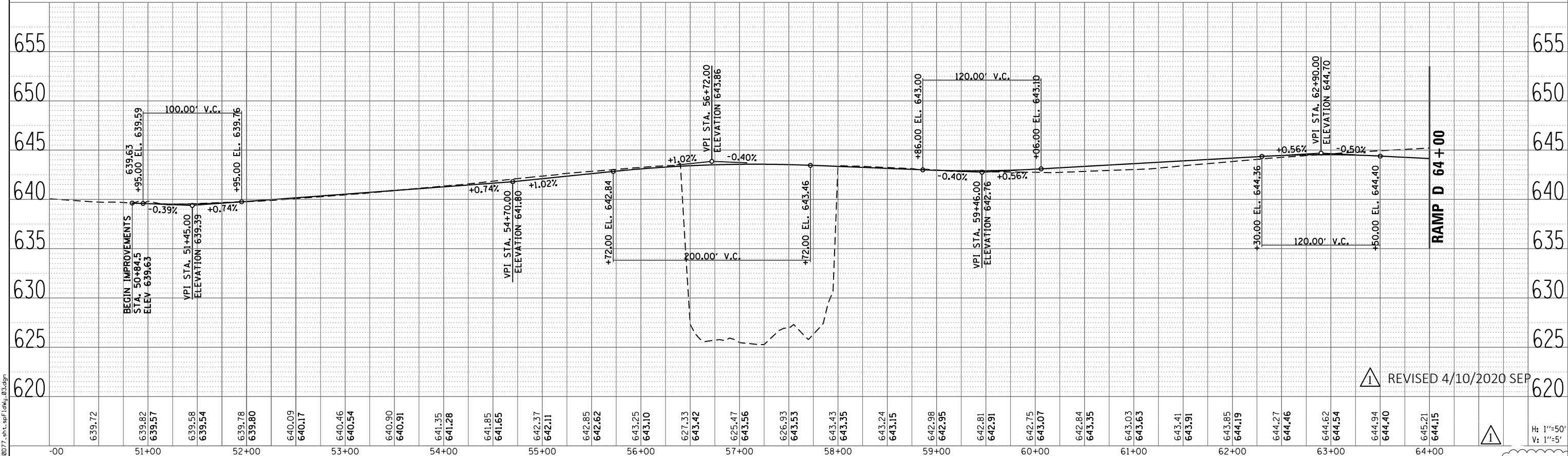
REVISD 4/10/2020 SEP
H: 1"=50'
V: 1"=5'



PLAN	SURVEYED	DATE
	PLOTTED	
	GRADES CHECKED	
	ALIGNMENT CHECKED	
	STRUCTURE NOTATIONS CHECKED	
	ROAD FILE NAME	
	NO.	



PROFILE	SURVEYED	DATE
	PLOTTED	
	GRADES CHECKED	
	ALIGNMENT CHECKED	
	STRUCTURE NOTATIONS CHECKED	
	ROAD FILE NAME	
	NO.	



FILE NAME = 60D77-shl-sp1.dwg_03.dgn

REVISD 4/10/2020 SEP



USER NAME = untitled	DESIGNED KMB	REVISED 04-07-2020
	DRAWN CJF	REVISED
PLOT SCALE = 100.0000' / in.	CHECKED JNH	REVISED
PLOT DATE = 4/7/2020	DATE 01-24-2020	REVISED

STATE OF ILLINOIS
DEPARTMENT OF TRANSPORTATION

WILLOW ROAD AT DES PLAINES RIVER FLOODWAY FLOODPLAIN EXHIBIT RAMP D		
SCALE: 1" = 50'	SHEET NO. 1 OF 2 SHEETS	STA. 52+06 TO STA. 64+00

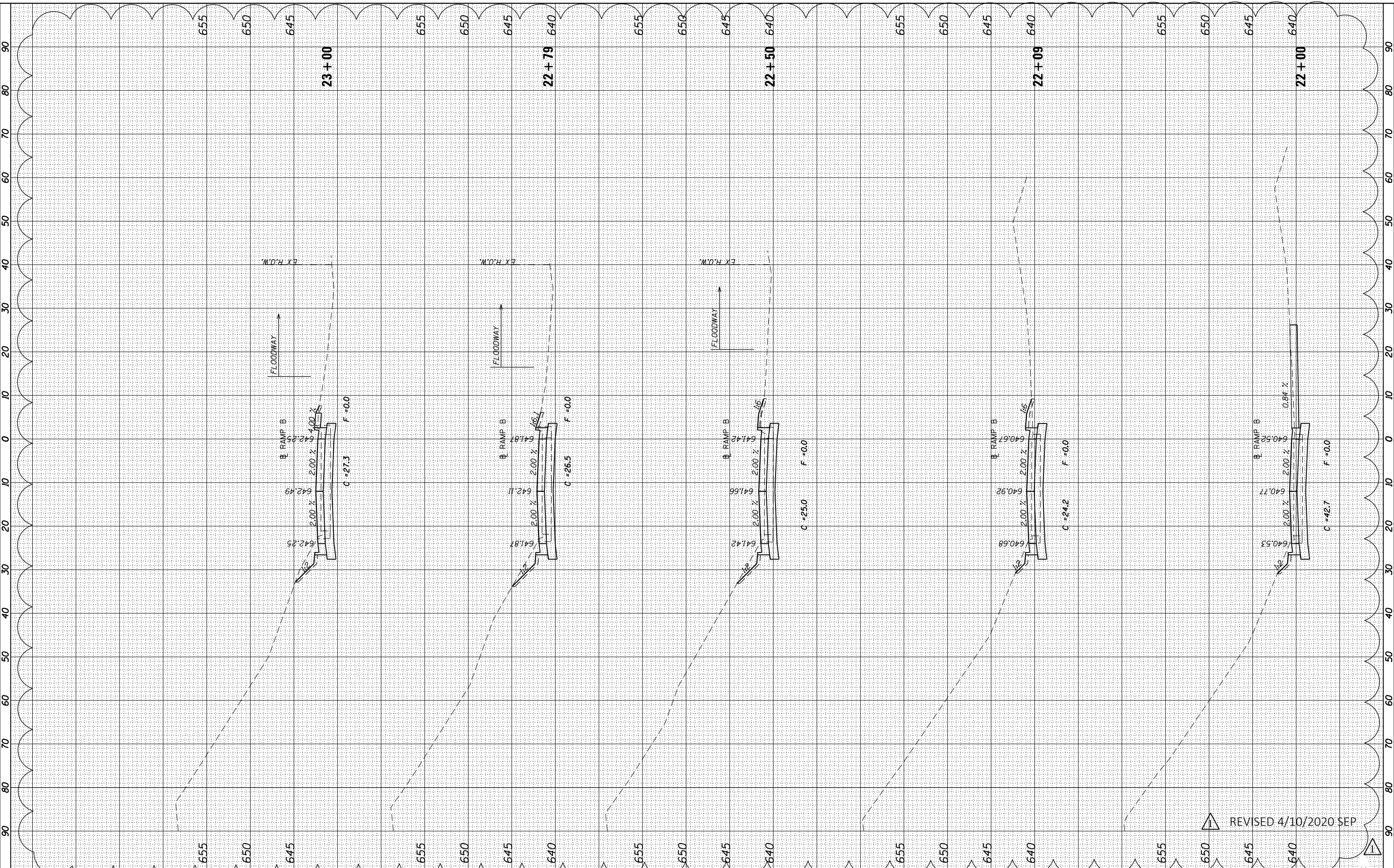
F.A.P. RTE. 305	SECTION 15161-1	COUNTY COOK	TOTAL SHEETS 151	SHEET NO. 127C
FED. ROAD DIST. NO. ILLINOIS FED. AID PROJECT			CONTRACT NO. 60D77	

H: 1"=50'
V: 1"=5'

FINAL SURVEY NO.	SURVEYED PLOTTED TEMPLATE AREAS CHECKED	BY	DATE

ORIGINAL SURVEY NO.	SURVEYED PLOTTED TEMPLATE AREAS CHECKED	BY	DATE

FILE NAME = 60D77_Sht_ASC_EXTENSION_Ramp_B.dgn



REVISION: 4/10/2020 SEP



USER NAME	= untitled
DESIGNED	- KMB
DRAWN	- CJF
CHECKED	- JNH
DATE	- 01/24/2020
REVISED	- 04-01-2020
REVISED	-
REVISED	-
REVISED	-

STATE OF ILLINOIS
DEPARTMENT OF TRANSPORTATION

RAMP B
CROSS SECTIONS

SCALE: 1"=10'H 1"=5'V SHEET 2 OF 9 SHEETS STA. 22+00 TO STA. 23+00

F.A.P. RTE.	SECTION	COUNTY	TOTAL SHEETS	SHEET NO.
305	15161-1	COOK	151	138
CONTRACT NO. 60D77				
ILLINOIS FED. AID PROJECT				

BY	DATE
FINAL SURVEY	SURVEYED
NOTE BOOK	PLOTTED
NO.	TEMPLATE
	AREAS CHECKED

BY	DATE
ORIGINAL SURVEY	SURVEYED
NOTE BOOK	PLOTTED
NO.	TEMPLATE
	AREAS CHECKED

FILE NAME = 60D77_Sta_Asc_Extension_Ramp_B.dgn



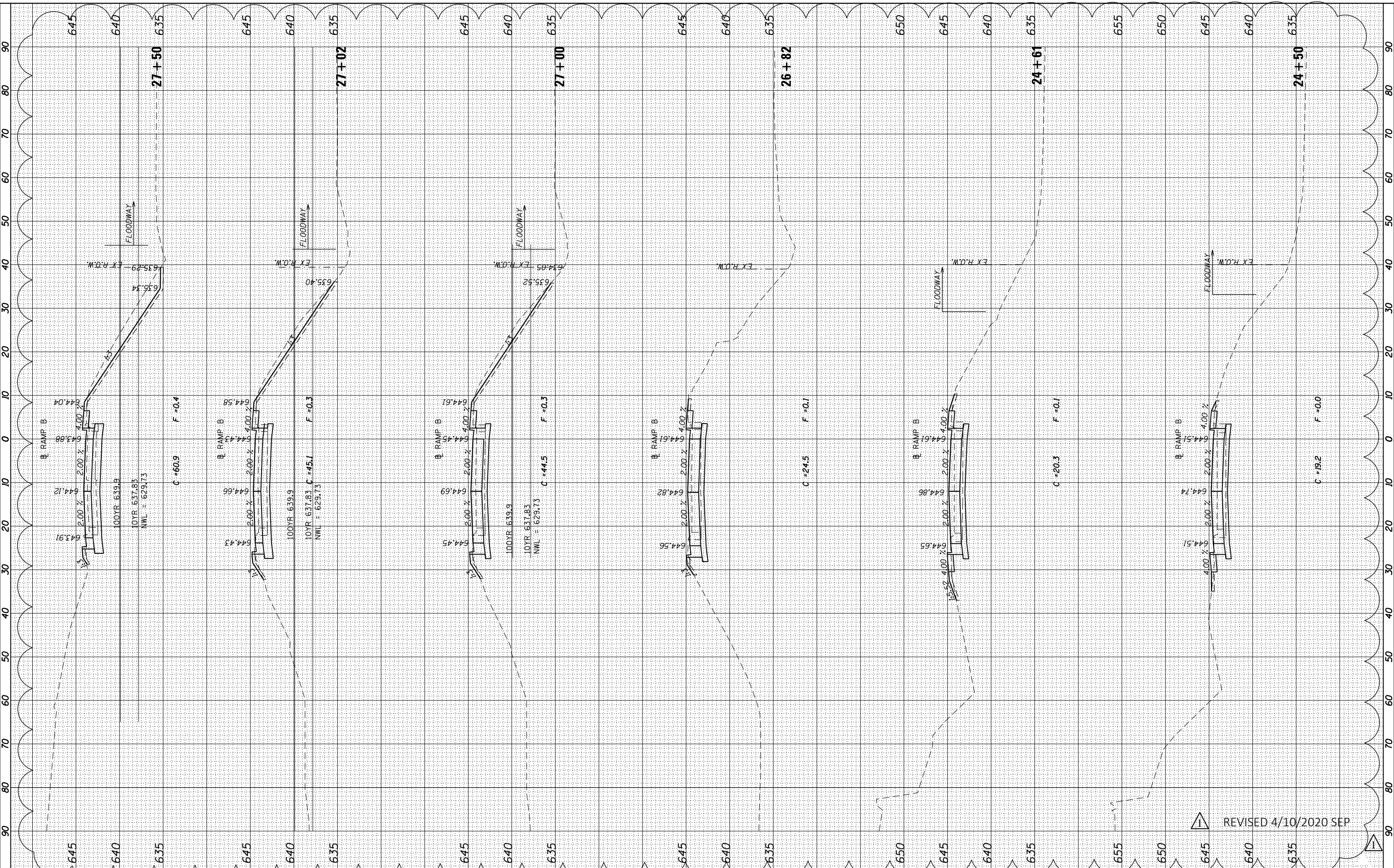
USER NAME	= untitled
DESIGNED	- KMB
DRAWN	- CJF
CHECKED	- JNH
DATE	- 01/24/2020
100YR	639.9
10YR	637.83
NWL	= 629.73

REVISED	04-01-2020
REVISED	-
REVISED	-
REVISED	-

**STATE OF ILLINOIS
DEPARTMENT OF TRANSPORTATION**

RAMP B CROSS SECTIONS	
SCALE: 1"=10'H 1"=5'V	SHEET 4 OF 9 SHEETS
STA. 24+50	TO STA. 27+50

F.A.P. RTE.	SECTION	COUNTY	TOTAL SHEETS	SHEET NO.
305	15161-1	COOK	151	140
CONTRACT NO. 60D77			ILLINOIS FED. AID PROJECT	

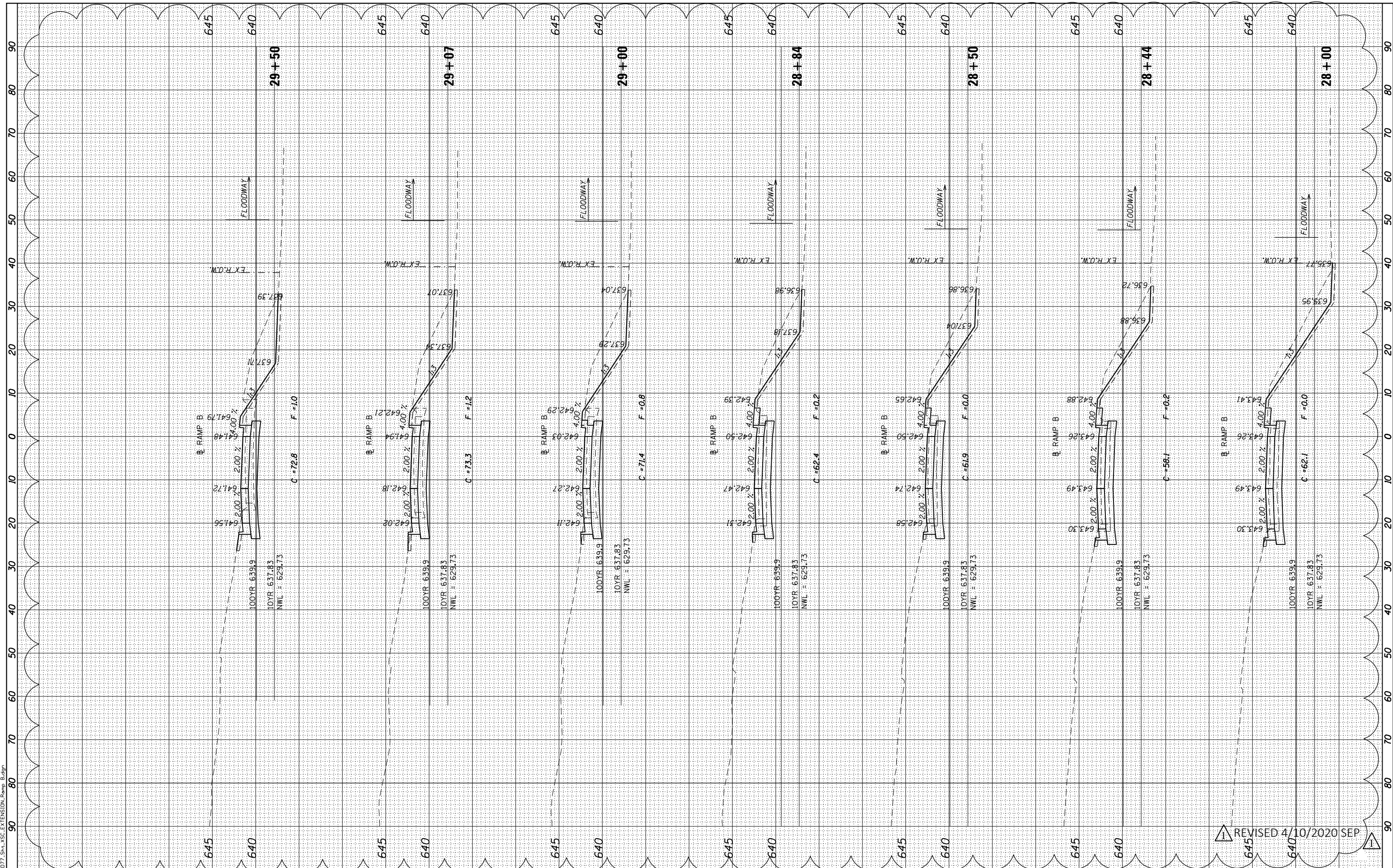


REVISED 4/10/2020 SEP

BY	DATE
SURVEYED	PLOTTED
NOTE BOOK	TEMPLATE
AREAS CHECKED	AREAS CHECKED

BY	DATE
SURVEYED	PLOTTED
NOTE BOOK	TEMPLATE
AREAS CHECKED	AREAS CHECKED

FILE NAME = 60D77_Sta._ASC.EXTENSION_Ramp_B.dgn



REVISED 4/10/2020 SEP



USER NAME = untitled	DESIGNED - KMB	REVISED - 04-01-2020
PLOT SCALE = 20.0000' / in.	DRAWN - CJF	REVIS -
PLOT DATE = 4/9/2020	CHECKED - JNH	REVIS -
	DATE - 01/24/2020	REVIS -

STATE OF ILLINOIS
DEPARTMENT OF TRANSPORTATION

RAMP B
CROSS SECTIONS

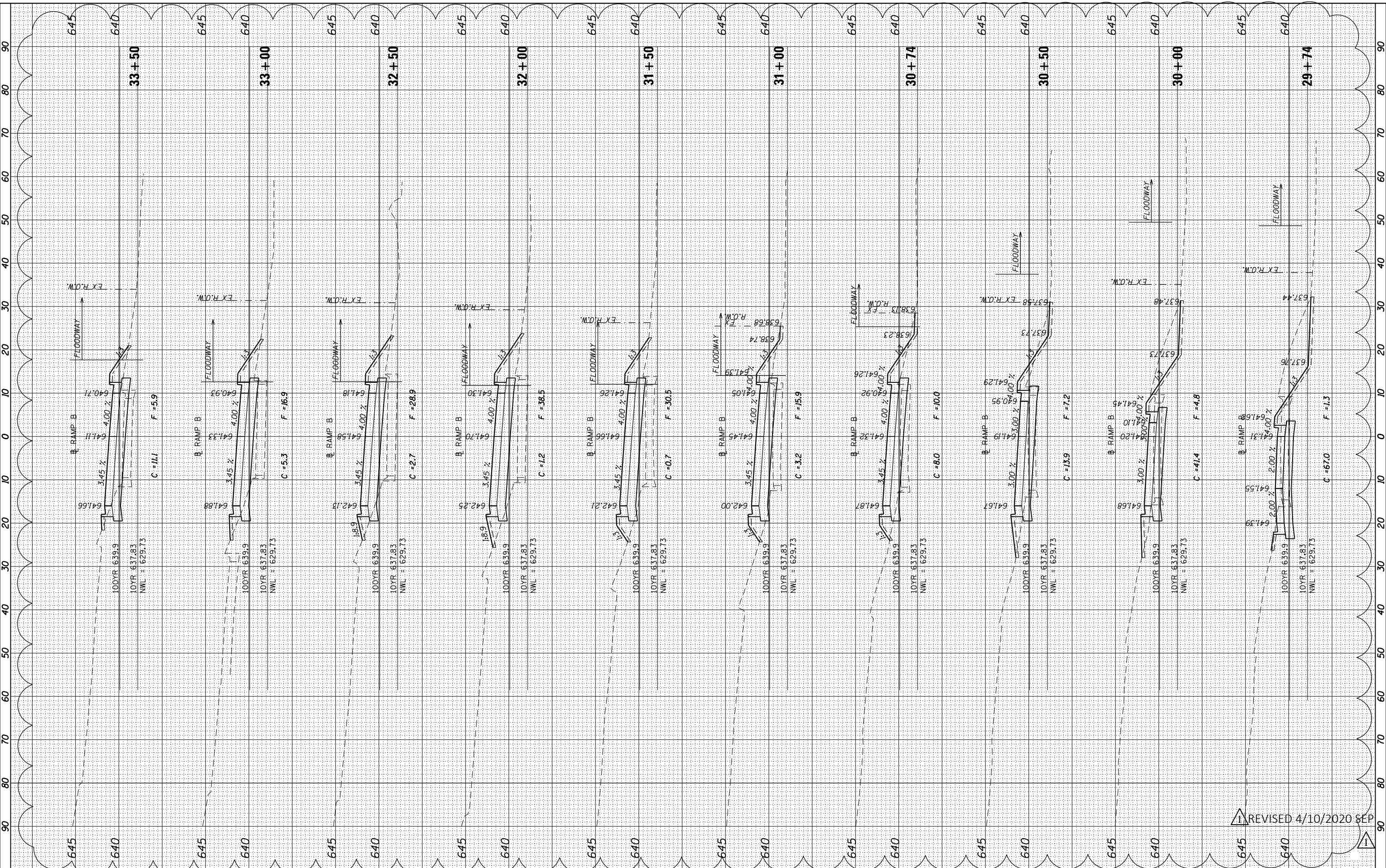
SCALE: 1"=10'H 1"=5'V SHEET 5 OF 9 SHEETS STA. 28+00 TO STA. 29+50

F.A.P. RTE. 305	SECTION 15161-1	COUNTY COOK	TOTAL SHEETS 151	SHEET NO. 141
			CONTRACT NO. 60D77	
ILLINOIS FED. AID PROJECT				

BY	DATE
FINAL SURVEY	SURVEYED
NO.	PLOTTED
	TEMPLATE
	NOTE BOOK
	AREAS CHECKED

BY	DATE
ORIGINAL SURVEY	SURVEYED
NO.	PLOTTED
	TEMPLATE
	NOTE BOOK
	AREAS CHECKED

FILE NAME = 60D77_Sht_A5C_EXTENSION_Ramp_B.dgn



USER NAME = untitled
 PLOT SCALE = 20.0000' / in.
 PLOT DATE = 4/9/2020

DESIGNED - KMB
 DRAWN - CJF
 CHECKED - JNH
 DATE - 01/24/2020

REVISED - 04-01-2020
 REVISED -
 REVISED -
 REVISED -

STATE OF ILLINOIS
 DEPARTMENT OF TRANSPORTATION

RAMP B
 CROSS SECTIONS
 SCALE: 1"=10'H 1"=5'V SHEET 6 OF 9 SHEETS STA. 29+74 TO STA. 33+49

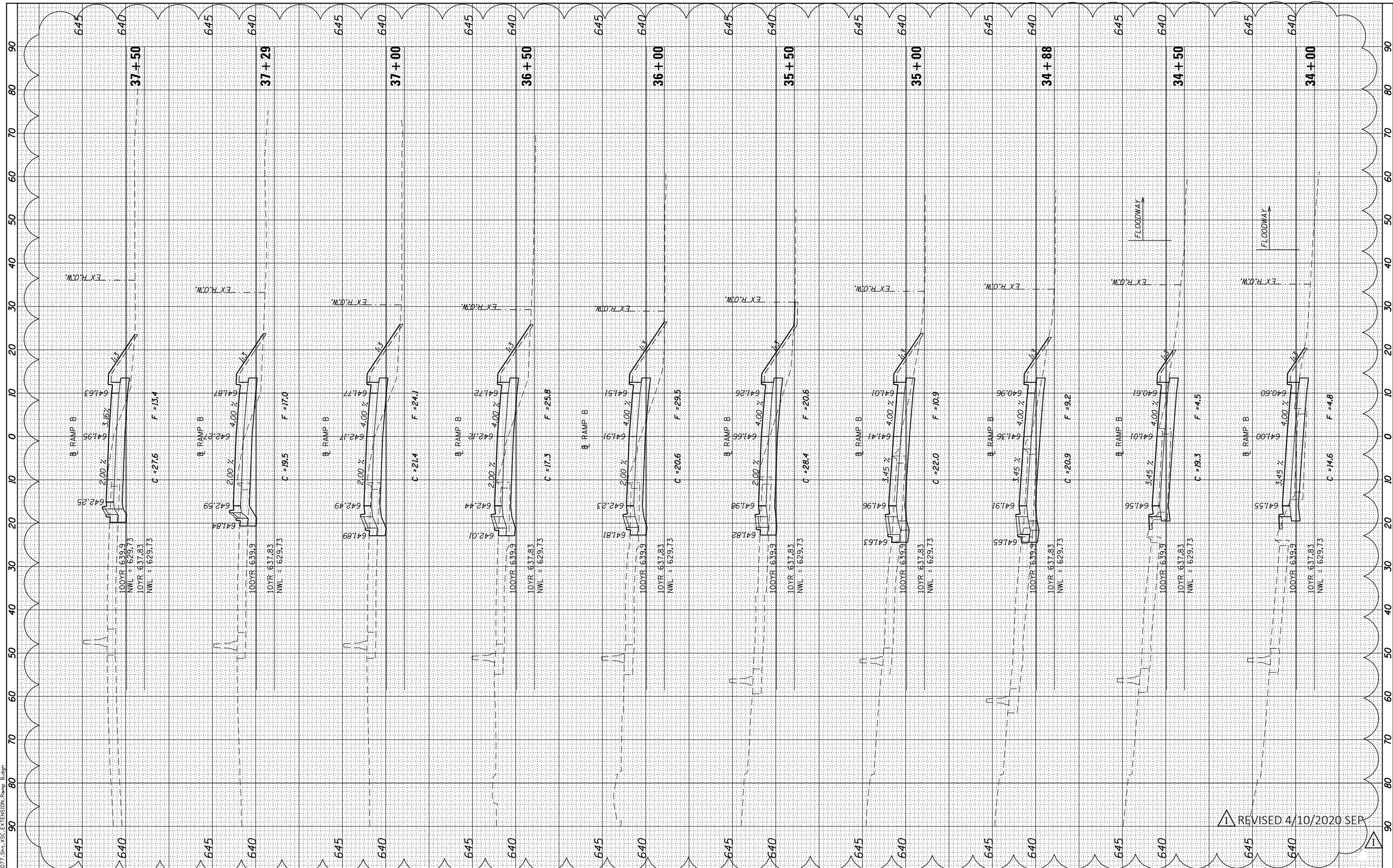
F.A.P. RTE.	SECTION	COUNTY	TOTAL SHEETS	SHEET NO.
305	15161-1	COOK	151	142
				CONTRACT NO. 60D77
ILLINOIS FED. AID PROJECT				

REVISD 4/10/2020 SEP

FINAL SURVEY	SURVEYED	BY	DATE
NO.	PLOTTED		
	TEMPLATE		
	AREAS CHECKED		

ORIGINAL SURVEY	SURVEYED	BY	DATE
NO.	PLOTTED		
	TEMPLATE		
	AREAS CHECKED		

FILE NAME = 60D77_Sht_A5C_EXTENSION_Ramp_B.dgn



USER NAME = untitled
PLOT SCALE = 20.0000' / in.
PLOT DATE = 4/9/2020

DESIGNED - KMB
DRAWN - CJF
CHECKED - JNH
DATE - 01/24/2020

REVISED - 04-01-2020
REVISED -
REVISED -
REVISED -

STATE OF ILLINOIS
DEPARTMENT OF TRANSPORTATION

RAMP B CROSS SECTIONS	
SCALE: 1"=10'H 1/2"=5'V	SHEET 7 OF 9 SHEETS
STA. 34+00	TO STA. 37+50

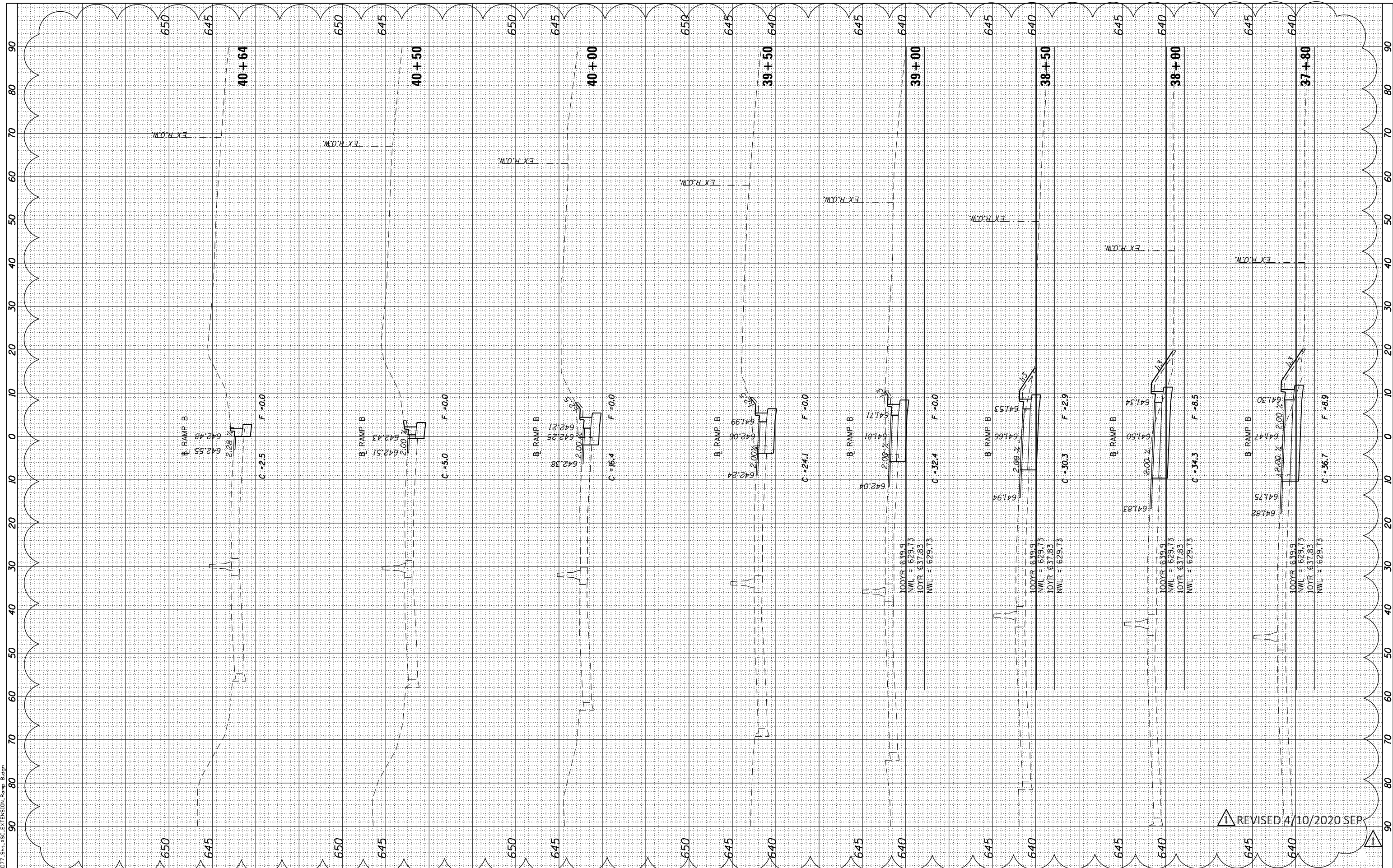
F.A.P. RTE. 305	SECTION 15161-1	COUNTY COOK	TOTAL SHEETS 151	SHEET NO. 143
CONTRACT NO. 60D77				
ILLINOIS FED. AID PROJECT				

REVISD 4/10/2020 SEP

FINAL SURVEY NO.	SURVEYED PLOTTED TEMPLATE AREAS CHECKED	BY	DATE

ORIGINAL SURVEY NO.	SURVEYED PLOTTED TEMPLATE AREAS CHECKED	BY	DATE

FILE NAME = 60D77_Sht_A5C_EXTENSION_Ramp_B.dgn



REVISD 4/10/2020 SEP



USER NAME	= untitled
PLOT SCALE	= 20.0000' / in.
PLOT DATE	= 4/9/2020

DESIGNED	- KMB
DRAWN	- CJF
CHECKED	- JNH
DATE	- 01/24/2020

REVISED	04-01-2020
REVISED	-
REVISED	-
REVISED	-

STATE OF ILLINOIS
DEPARTMENT OF TRANSPORTATION

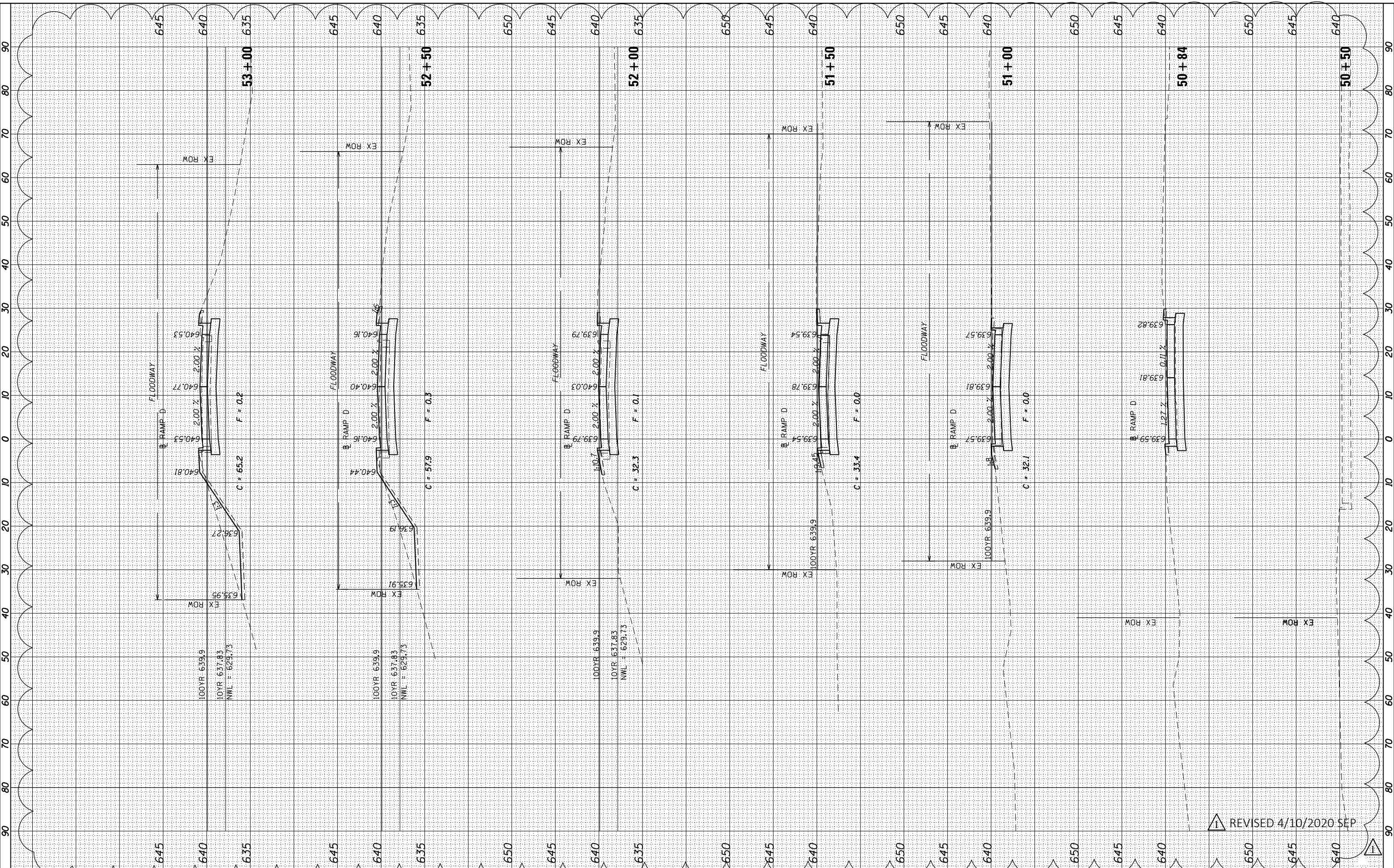
RAMP B CROSS SECTIONS	
SCALE: 1"=10'H 1"=5'V	SHEET 8 OF 9 SHEETS STA. 37+80 TO STA. 40+64

F.A.P. RTE.	SECTION	COUNTY	TOTAL SHEETS	SHEET NO.
305	15161-1	COOK	151	144
CONTRACT NO. 60D77				
ILLINOIS FED. AID PROJECT				

BY	DATE
SURVEYED	
PLOTTED	
TEMPLATE	
AREAS	
CHECKED	

BY	DATE
ORIGINAL	
SURVEY	
PLOTTED	
TEMPLATE	
AREAS	
CHECKED	

FILE NAME = 60D77_Sht_A5C_EXTENSION_Ramp_D.dgn



REVISD 4/10/2020 SEP



USER NAME	= untitled
DESIGNED	- KMB
DRAWN	- CJF
CHECKED	- JNH
DATE	- 01/24/2020
REVISED	- 04-01-2020
REVISED	-
REVISED	-
REVISED	-

STATE OF ILLINOIS
DEPARTMENT OF TRANSPORTATION

RAMP D
CROSS SECTIONS

SCALE: 1"=10'H 1"=5'V SHEET 1 OF 6 SHEETS STA. 50+50 TO STA. 52+99

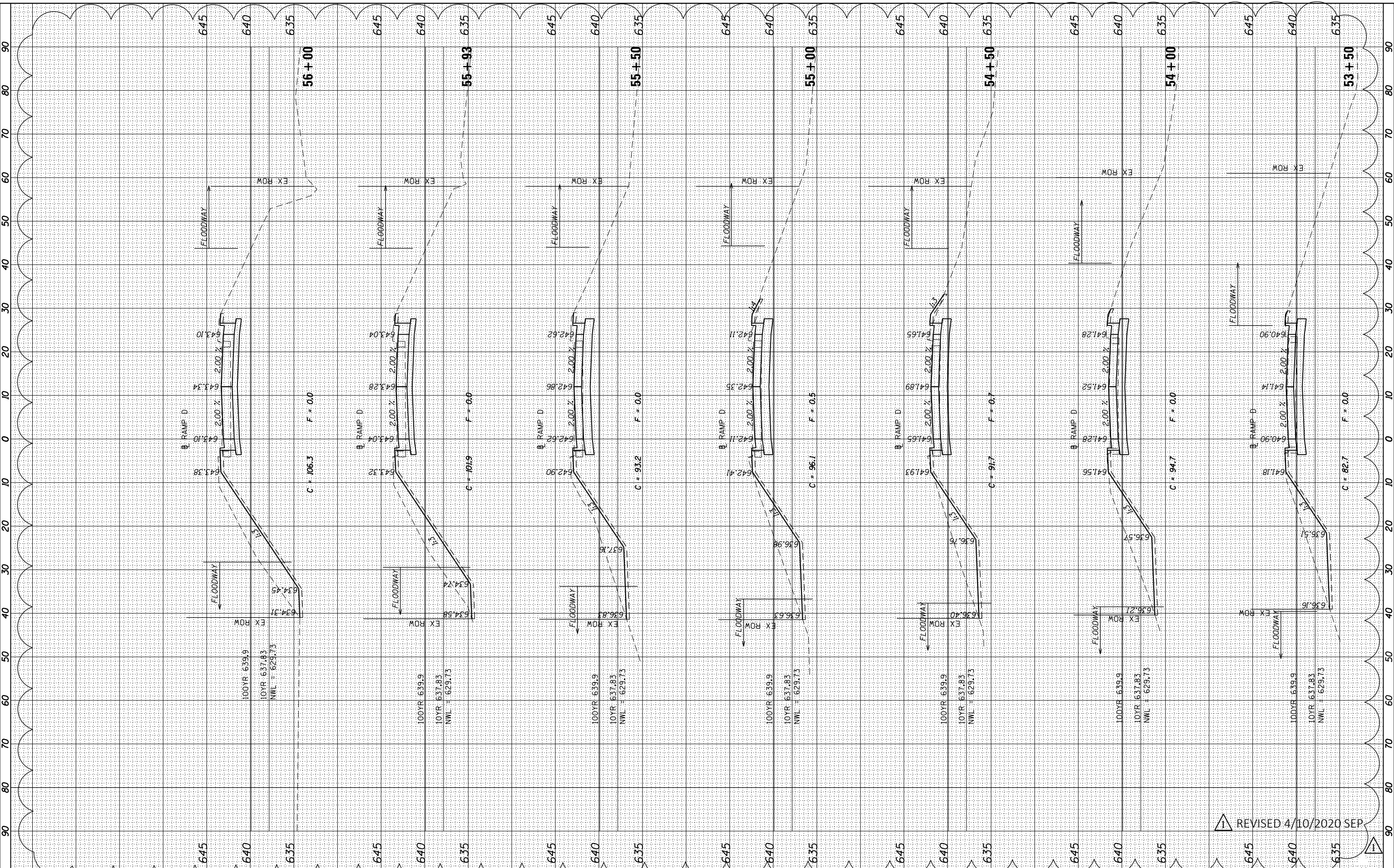
F.A.P. RTE.	SECTION	COUNTY	TOTAL SHEETS	SHEET NO.
305	15161-1	COOK	151	146
CONTRACT NO. 60D77				

ILLINOIS FED. AID PROJECT

BY	DATE
SURVEYED	
PLOTTED	
TEMPLATE	
NOTE BOOK	
AREAS CHECKED	

BY	DATE
SURVEYED	
PLOTTED	
TEMPLATE	
NOTE BOOK	
AREAS CHECKED	

FILE NAME = 60D77_Sta_1_Sc.Extension_Ramp_D.dgn



1 REVISED 4/10/2020 SEP



USER NAME = untitled	DESIGNED = KMB	REVISED = 04-01-2020
PLOT SCALE = 20.0000' / in.	DRAWN = CJF	REVISED =
PLOT DATE = 4/9/2020	CHECKED = JNH	REVISED =
	DATE = 01/24/2020	REVISED =

**STATE OF ILLINOIS
DEPARTMENT OF TRANSPORTATION**

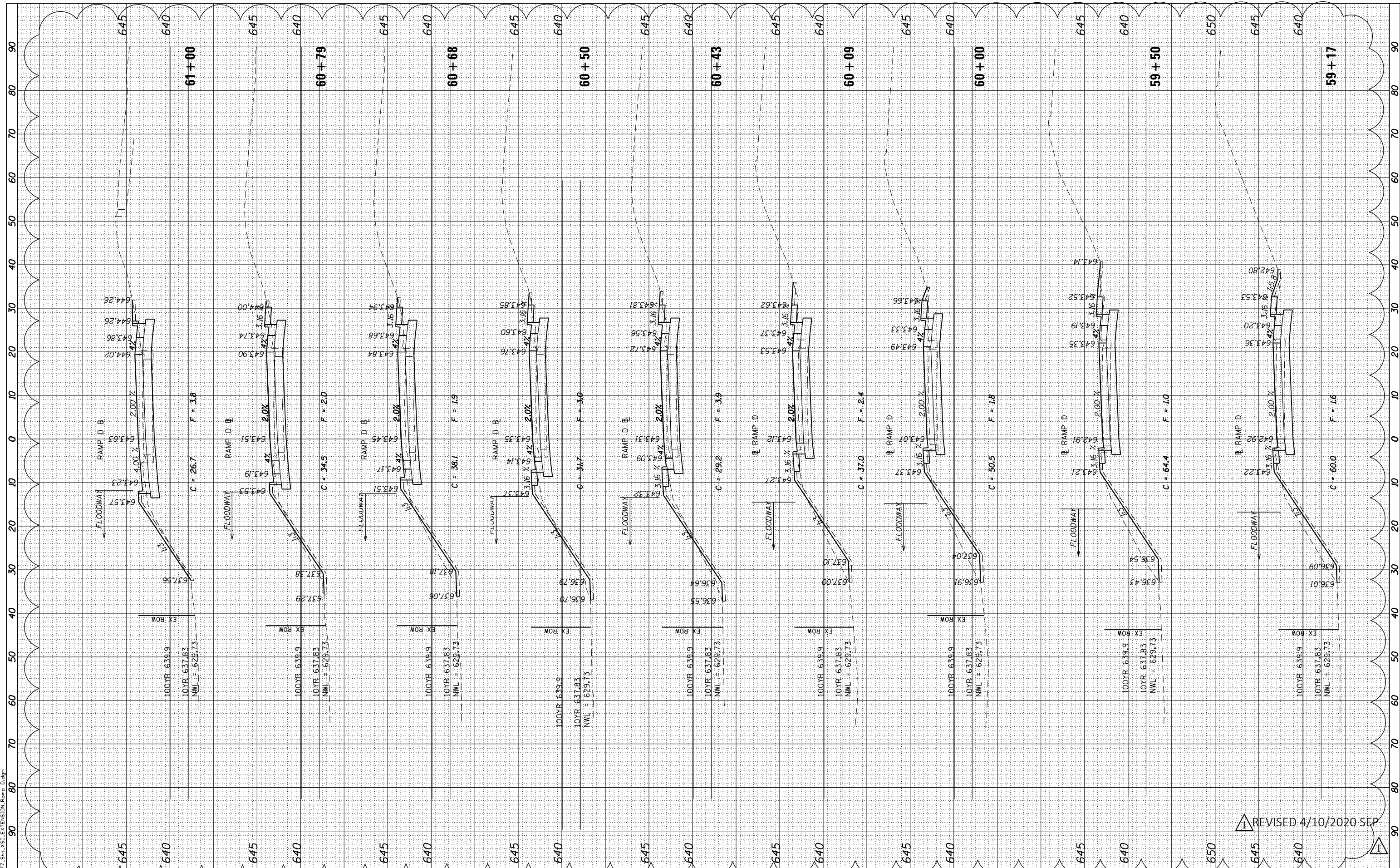
RAMP D CROSS SECTIONS		
SCALE: 1"=10'H 1"=5'V	SHEET 2	OF 6 SHEETS
STA. 53+50		TO STA. 56+00

F.A.P. RTE. 305	SECTION 15161-1	COUNTY COOK	TOTAL SHEETS 151	SHEET NO. 147
CONTRACT NO. 60D77				
ILLINOIS FED. AID PROJECT				

BY	DATE
FINN	
SURVEYED	
PLOTTED	
TEMPLATE	
NOTE BOOK	
AREAS CHECKED	
NO.	

BY	DATE
ORIGINAL	
SURVEY	
PLOTTED	
TEMPLATE	
NOTE BOOK	
AREAS CHECKED	
NO.	

FILE NAME = 60D77_Sht_15C_EXTENSION_Ramp_D.dgn



USER NAME = untitled
PLOT SCALE = 20.0000' / in.
PLOT DATE = 4/9/2020

DESIGNED - KMB
DRAWN - CJF
CHECKED - JNH
DATE - 01/24/2020

REVISED - 04-01-2020
REVISED -
REVISED -
REVISED -

STATE OF ILLINOIS
DEPARTMENT OF TRANSPORTATION

RAMP D CROSS SECTIONS	
SCALE: 1"=10'H 1"=5'V	SHEET 4 OF 6 SHEETS STA. 59+17 TO STA. 60+99

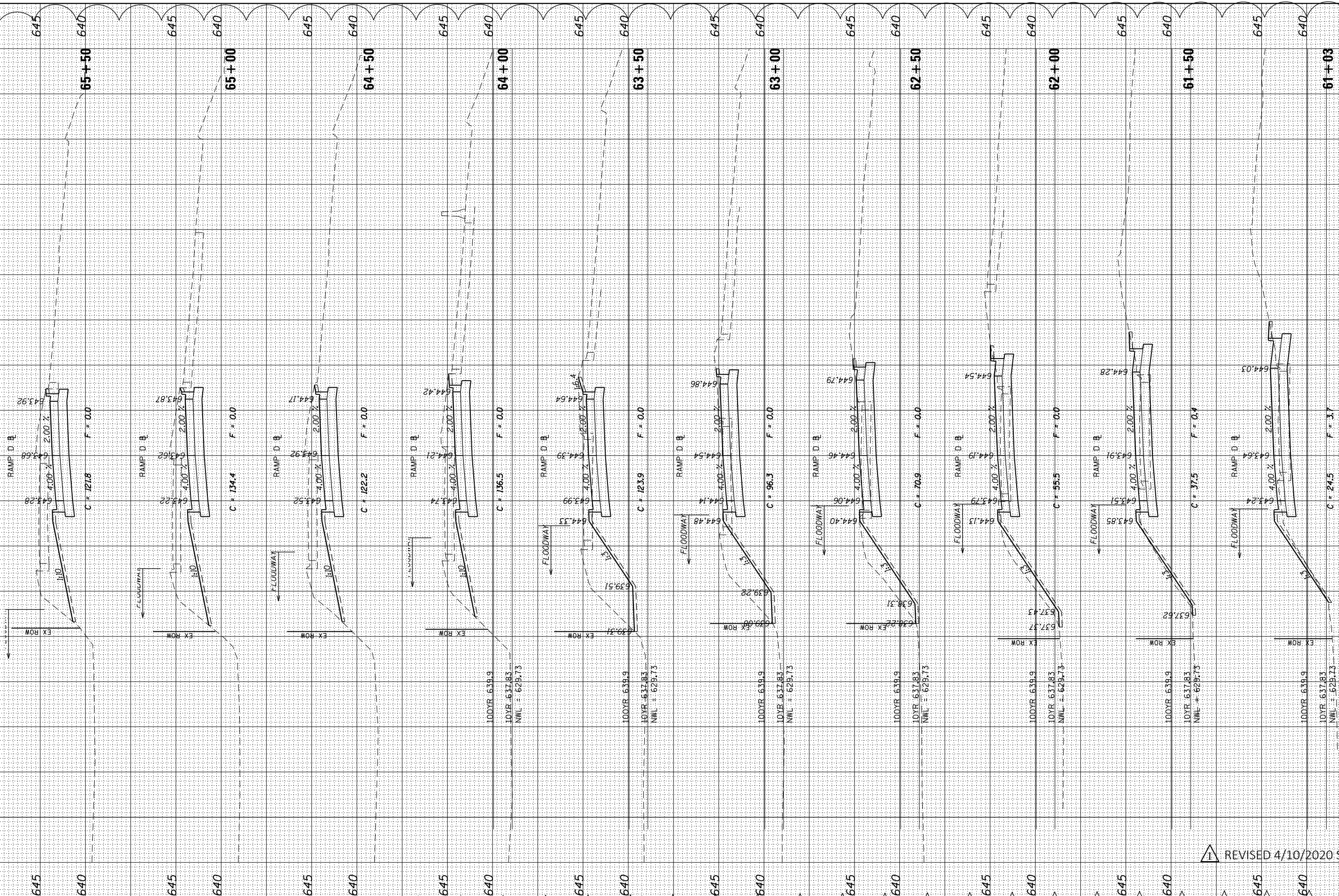
F.A.P. RTE. 305	SECTION 15161-1	COUNTY COOK	TOTAL SHEETS 151	SHEET NO. 149
CONTRACT NO. 60D77				
ILLINOIS FED. AID PROJECT				

REVISION 4/10/2020 SEP

FINAL SURVEY NO.	SURVEYED	DATE
NOTE BOOK NO.	PLOTTED	
AREAS CHECKED	TEMPLATE	
	AREAS CHECKED	

ORIGINAL SURVEY NO.	SURVEYED	DATE
NOTE BOOK NO.	PLOTTED	
AREAS CHECKED	TEMPLATE	
	AREAS CHECKED	

FILE NAME = 60D77_Sht_A3C_EXTENSION_Ramp_D.dgn



REVISED 4/10/2020 SEP



USER NAME = untitled	DESIGNED - KMB	REVISED - 04-07-2020
PLOT SCALE = 20.0000' / in.	DRAWN - CJF	REVISED -
PLOT DATE = 4/9/2020	CHECKED - JNH	REVISED -
	DATE - 01/24/2020	REVISED -

STATE OF ILLINOIS
DEPARTMENT OF TRANSPORTATION

RAMP D CROSS SECTIONS	
SCALE: 1"=10'H 1"=5'V	SHEET 5 OF 6 SHEETS STA. 61+03 TO STA. 65+50

F.A.P. RTE. 305	SECTION 15161-1	COUNTY COOK	TOTAL SHEETS 151	SHEET NO. 150
			CONTRACT NO. 60D77	
ILLINOIS FED. AID PROJECT				