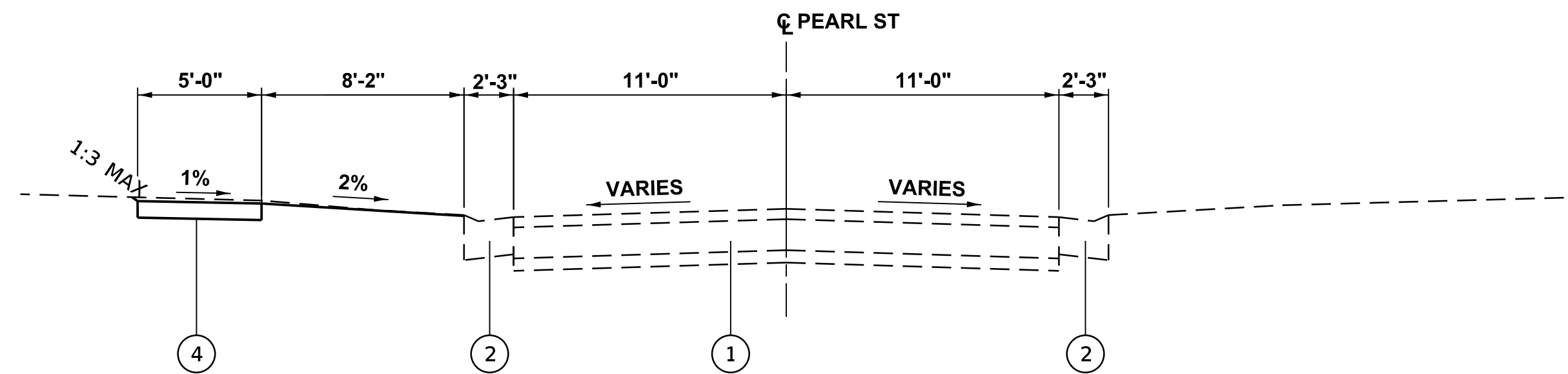


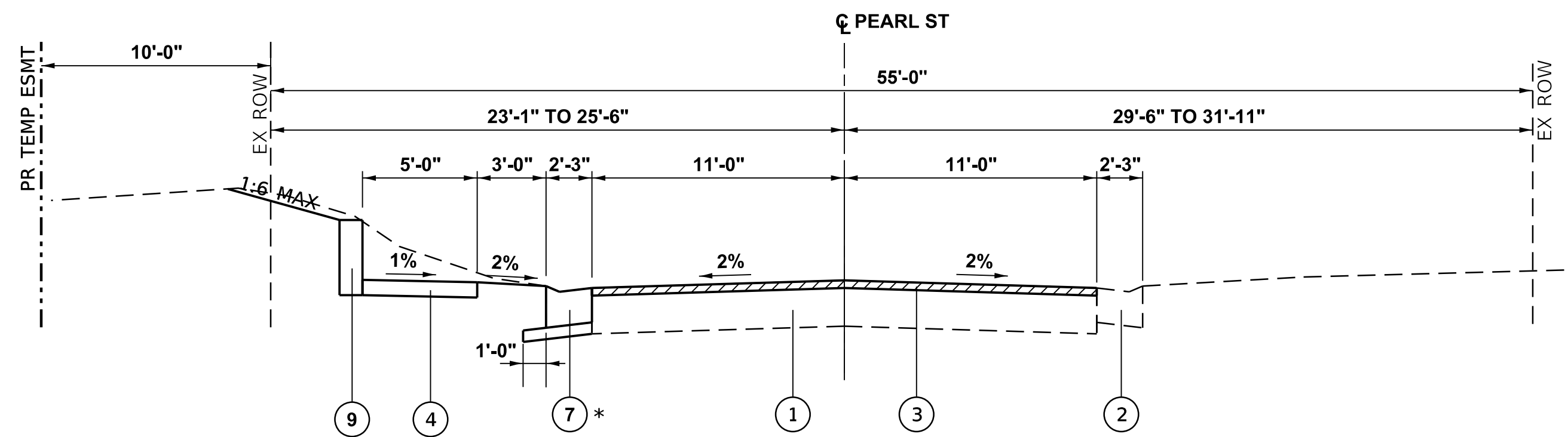
EXISTING TYPICAL SECTION

STA 21+70.00 TO STA 38+53.00
(*8" PCCP FROM STA 36+83.00 TO STA 38+53.00)



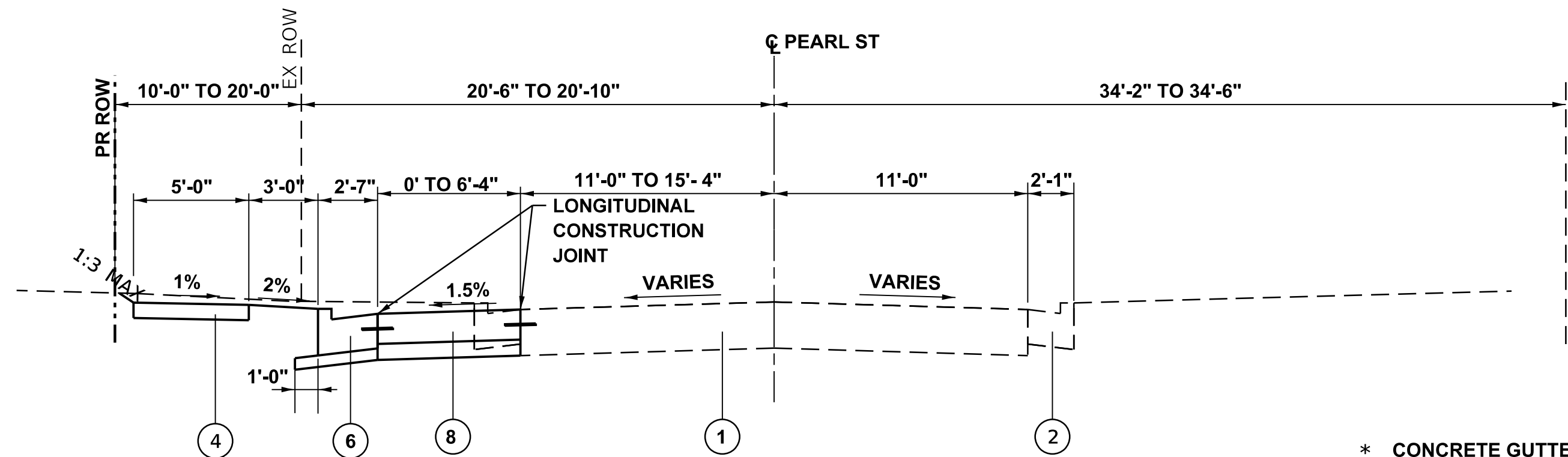
PROPOSED TYPICAL SECTION

STA 22+23.80 TO 23+30.00
(RAILROAD RIGHT-OF-WAY)



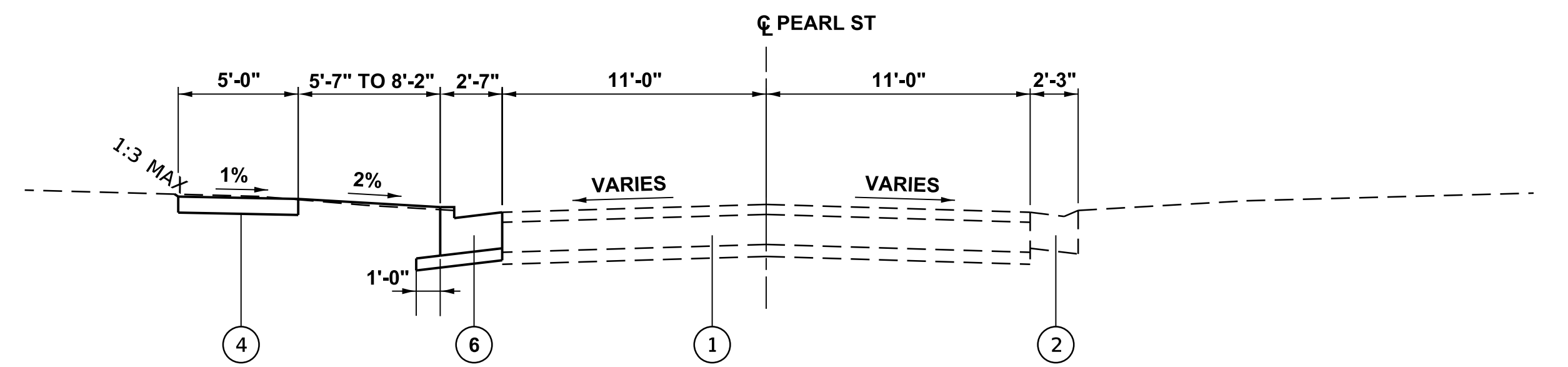
PROPOSED TYPICAL SECTION

STA 31+00.00 TO STA 34+15.00



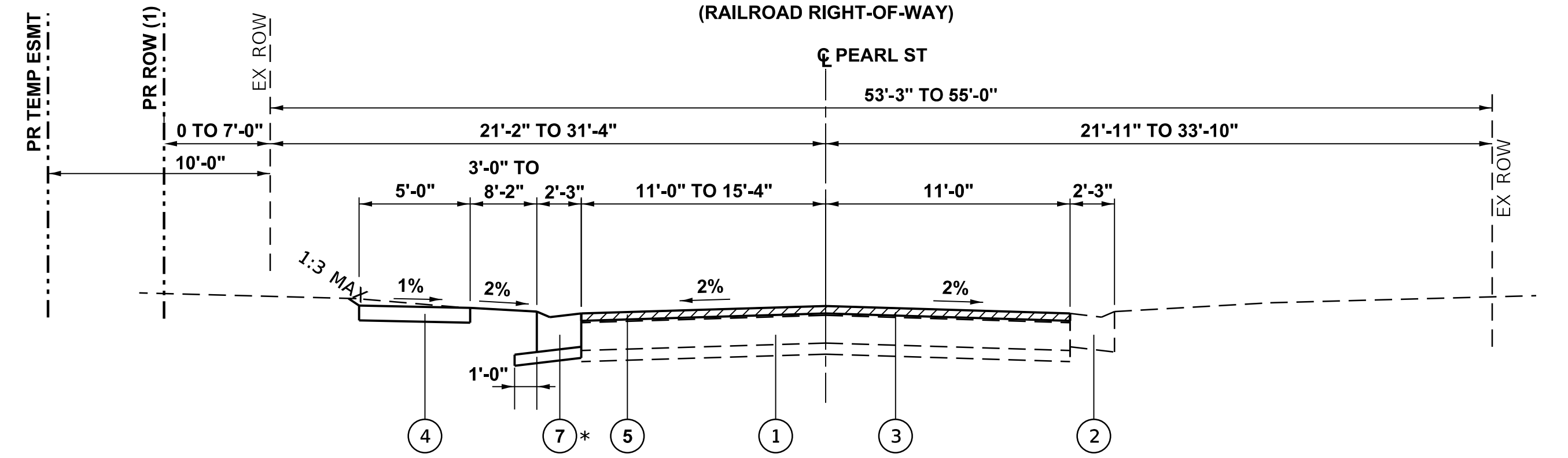
PROPOSED TYPICAL SECTION

STA 36+83.00 TO STA 38+53.00



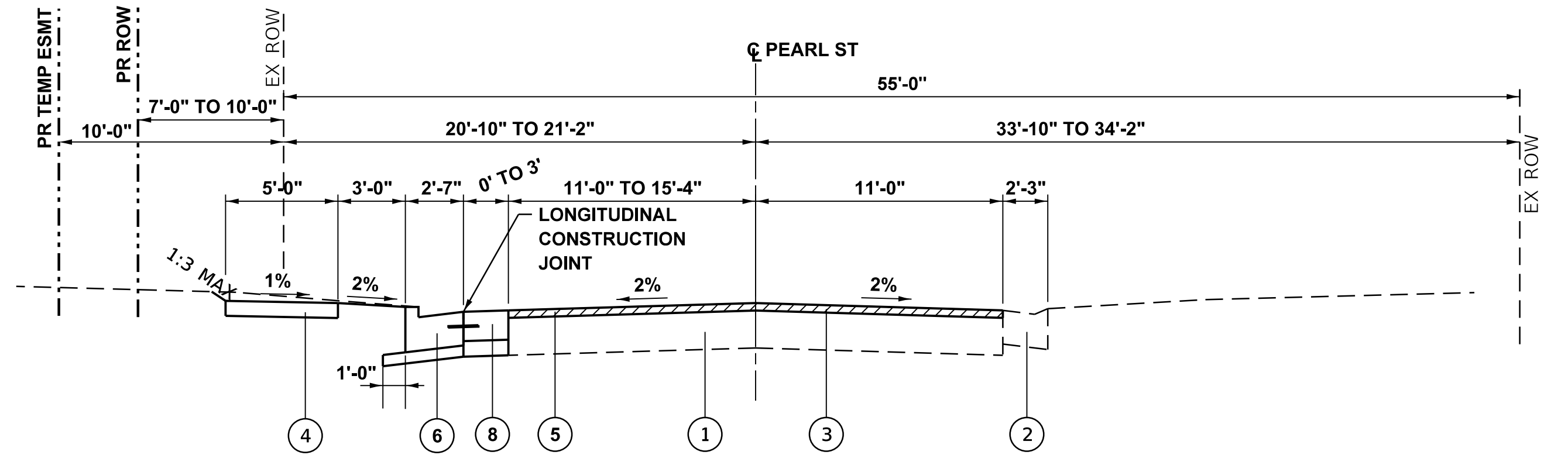
PROPOSED TYPICAL SECTION

STA 21+70.00 TO 22+23.80
(RAILROAD RIGHT-OF-WAY)



PROPOSED TYPICAL SECTION

STA 23+30.00 TO STA 31+00.00
STA 34+15.00 TO STA 36+40.00 (1)
(1) PR ROW THESE STA ONLY



PROPOSED TYPICAL SECTION

STA 36+40.00 TO STA 36+83.00

LEGEND

- ① EXISTING HMA/CONCRETE PAVEMENT
- ② EXISTING CONCRETE GUTTER/CURB & GUTTER
- ③ PROPOSED HOT-MIX ASPHALT SURFACE COURSE IL-9.5, MIX "D", N70, 2"
- ④ PROPOSED PORTLAND CEMENT CONCRETE SIDEWALK, 4"
- ** ⑤ PROPOSED AREA REFLECTIVE CRACK CONTROL
- ⑥ PROPOSED COMBINATION CONCRETE CURB AND GUTTER, TYPE B-6.24, OR DEPRESSED CURB (SEE PLAN SHEET)
PROPOSED AGGREGATE BASE COURSE, TY A 4"
- * ⑦ PROPOSED CONCRETE GUTTER, (SPECIAL)
PROPOSED AGGREGATE BASE COURSE, TY A 4"
- ⑧ PROPOSED PORTLAND CEMENT CONCRETE PAVEMENT, 8"
PROPOSED AGGREGATE BASE COURSE, TY A 4"
- ⑨ SEGMENTAL CONCRETE BLOCK WALL
- ▨ HOT-MIX ASPHALT SURFACE CORRECTION

* CONCRETE GUTTER SHALL BE REPLACED IN LOCATIONS WHERE THE ENGINEER DEEMS NECESSARY

** PAVEMENT PATCHING LOCATIONS SHALL BE DETERMINED BY THE ENGINEER. AREA REFLECTIVE CRACK CONTROL TREATMENT SHALL BE USED AT THESE LOCATIONS.

STATE OF ILLINOIS
DEPARTMENT OF TRANSPORTATION

TYPICAL SECTIONS
PEARL STREET

SCALE: N.T.S. SHEET 1 OF 1 SHEETS

F.A.U. RTE.	SECTION	COUNTY	TOTAL SHEETS	SHEET NO.
8953	16-00032-00-RS	MADISON	26	7
CONTRACT NO. 97678				
ILLINOIS FED. AID PROJECT				

FILE NAME: S:\Projects\2017 Projects\417-00035-00HY_Goofrey_Pearl St\Design\CADD_Sheets\08-st-typical.dgn

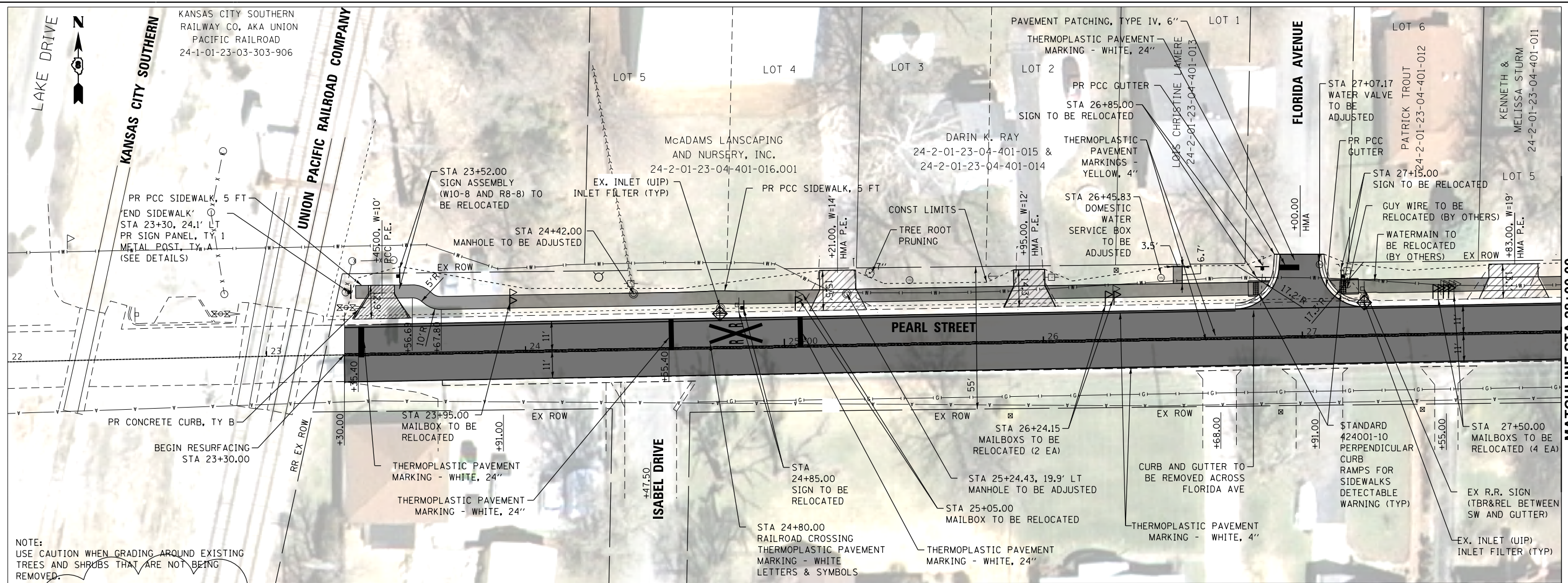


USER NAME = tgoetz	DESIGNED TMG	REVISED - ADDENDUM 04/13/2020
MODEL NAME = Typ-01	DRAWN CJW	REVISED -
PLOT SCALE = 5.0000' / in.	CHECKED TMG	REVISED -
PLOT DATE = 4/13/2020	DATE -	REVISED -

DATE	
BY	
REVIEWED	
PLANNED	
NOTED	
NO.	

DATE	
BY	
REVIEWED	
PLANNED	
NOTED	
NO.	

FILE NAME: S:\Projects\2017 Projects\417-0035-01Y\Geofray.Pearl.dgn
 SHEETS\08-ant-plp-pr-f-pearl.dgn

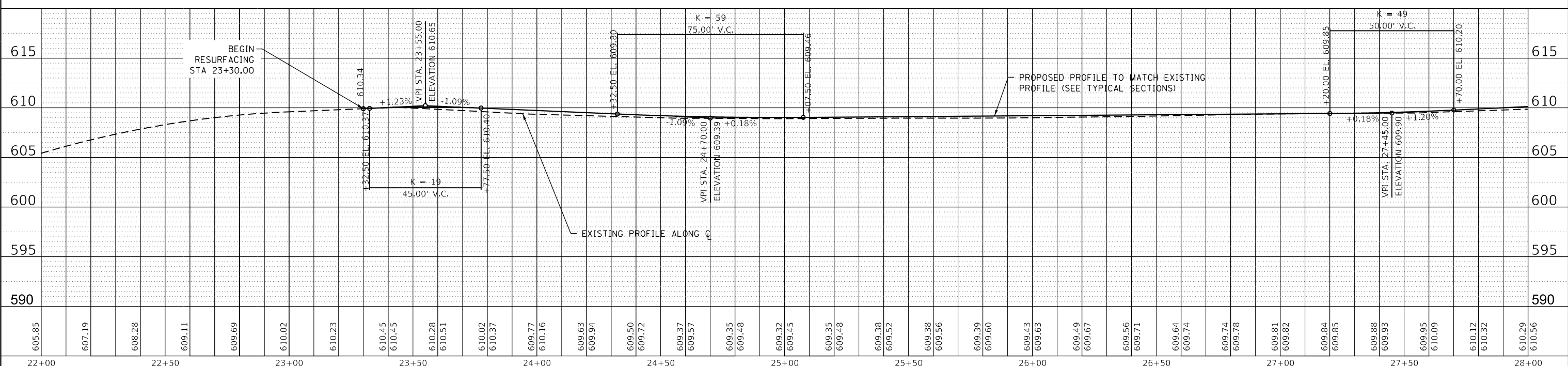


NOTE:
 USE CAUTION WHEN GRADING AROUND EXISTING TREES AND SHRUBS THAT ARE NOT BEING REMOVED.

HMA SURFACE CORRECTION
 HMA SURFACE COURSE, MIX D, N70

PCC PAVEMENT, 8"

ENTRANCE



USER NAME = tgoetz	DESIGNED - TMG	REVISED - ADDENDUM 04/13/2020
MODEL NAME = PP-01	DRAWN - TMG	REVISED -
PLOT SCALE = 40,0000" / 1in.	CHECKED - LWJ	REVISED -
PLOT DATE = 4/13/2020	DATE -	REVISED -

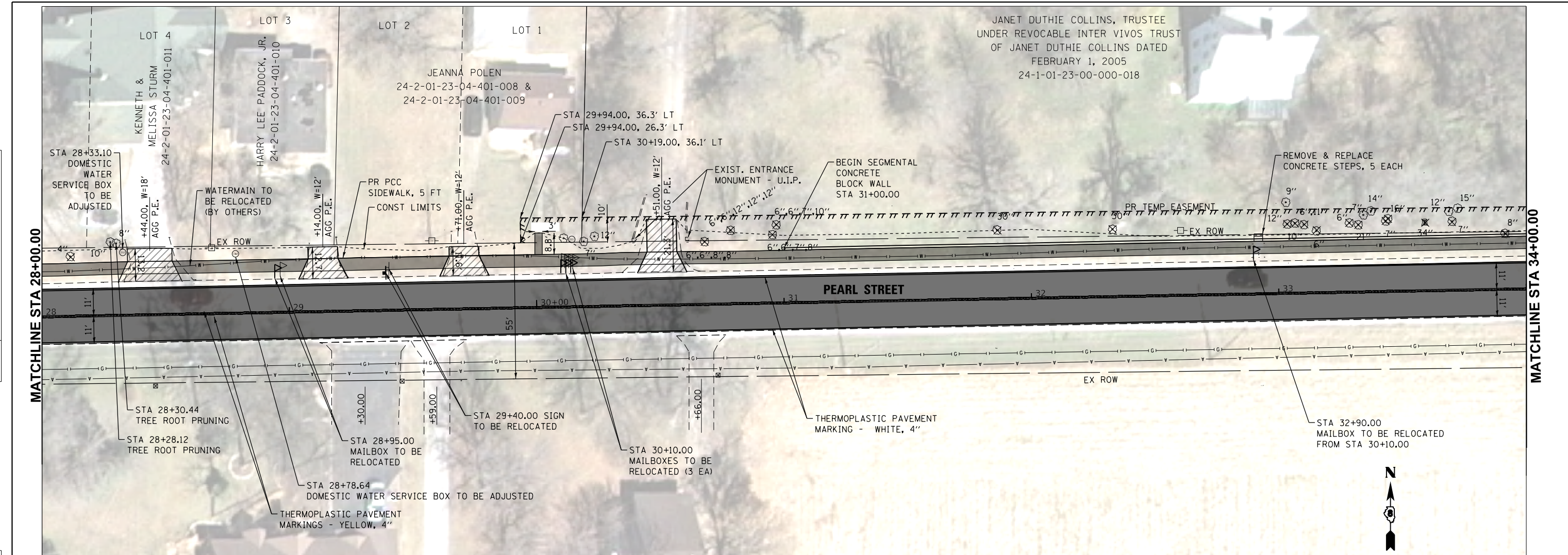
STATE OF ILLINOIS
DEPARTMENT OF TRANSPORTATION

PEARL STREET		
PLAN & PROFILE SHEETS		
SCALE: 1:20	SHEET 1 OF 3 SHEETS	STA 22+00.00 TO STA 28+00.00

F.A.U. RTE. 8953	SECTION 16-00032-00-RS	COUNTY MADISON	TOTAL SHEETS 26	SHEET NO. 12
CONTRACT NO. 97678				
ILLINOIS FED. AID PROJECT				

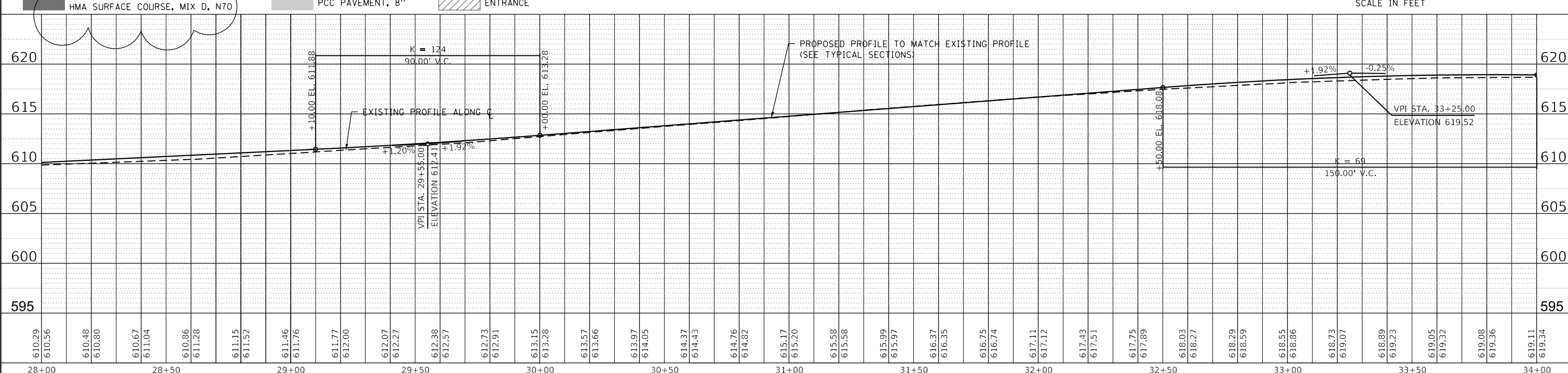
DATE	
BY	
REVIEWED	
PLANNED	
NOTED	
NO.	

DATE	
BY	
REVIEWED	
PLANNED	
NOTED	
NO.	



NOTE:
USE CAUTION WHEN GRADING AROUND EXISTING TREES AND SHRUBS THAT ARE NOT BEING REMOVED.

HMA SURFACE CORRECTION
 HMA SURFACE COURSE, MIX D, N70
 PCC PAVEMENT, 8"
 ENTRANCE



FILE NAME: S:\P-Projects\2017 Projects\417-0035-01Y Geofray Pearl St Design\CAD Sheets\08-int-plp-pr-f-Pearl.dgn
 SHEET NO.: 26 OF 13
 DATE: 4/13/2020

USER NAME = tgoetz	DESIGNED - TMG	REVISED - ADDENDUM 04/13/2020
MODEL NAME = PP-02	DRAWN - TMG	REVISED -
PLOT SCALE = 40,0000" / 1"	CHECKED - LWJ	REVISED -
PLOT DATE = 4/13/2020	DATE -	REVISED -

STATE OF ILLINOIS
DEPARTMENT OF TRANSPORTATION

PEARL STREET
PLAN & PROFILE SHEETS

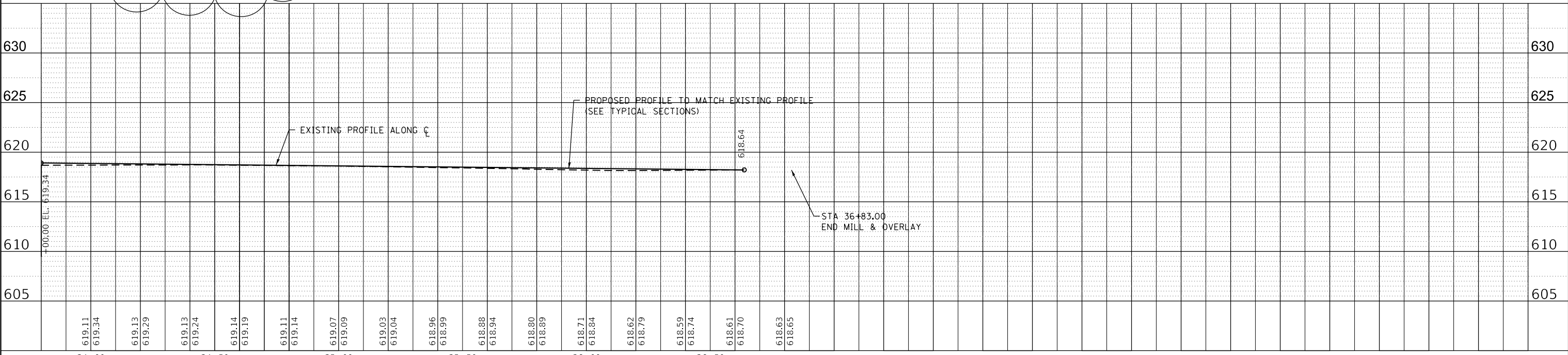
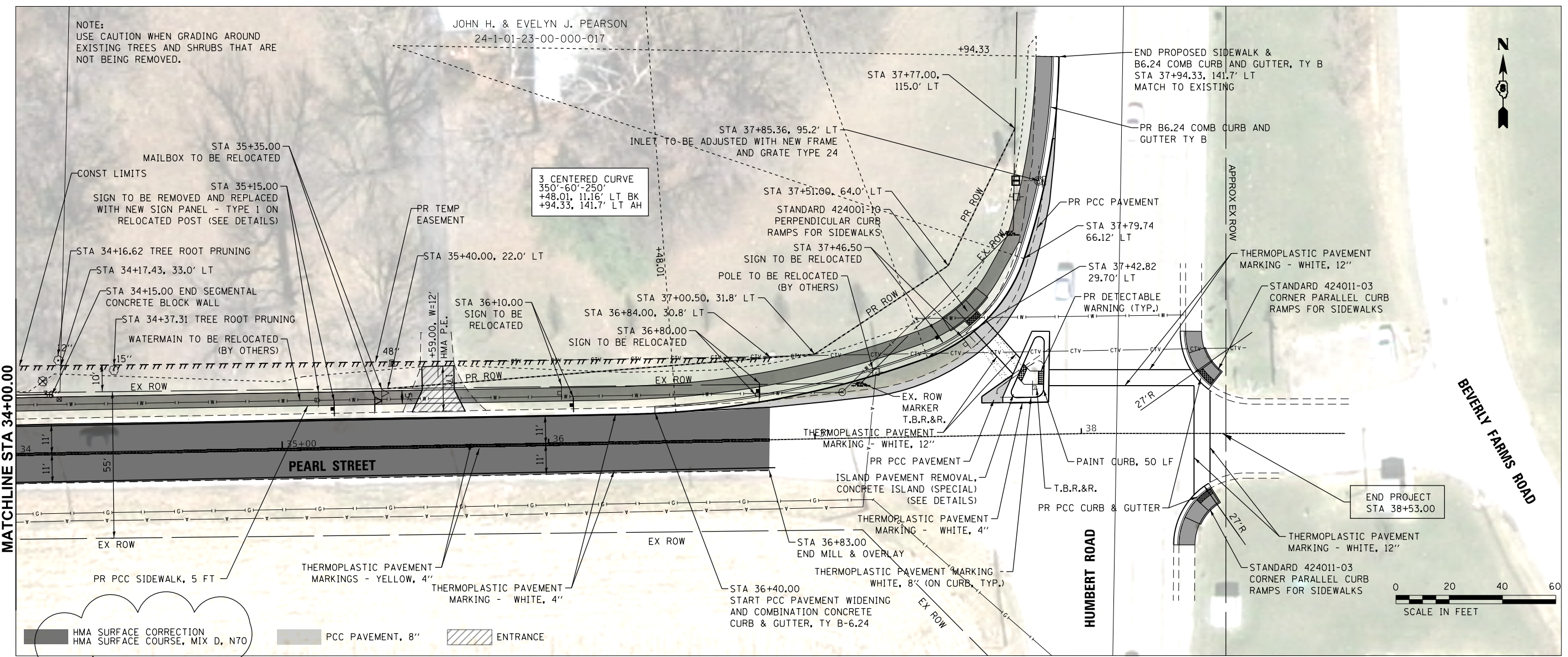
SCALE: 1:20 SHEET 2 OF 3 SHEETS STA 28+00.00 TO STA 34+00.00

F.A.U. RTE. 8953	SECTION 16-00032-00-RS	COUNTY MADISON	TOTAL SHEETS 26	SHEET NO. 13
CONTRACT NO. 97678				
ILLINOIS FED. AID PROJECT				

PLAN	SURVEYED	DATE
	PLOTTED	BY
	ALIGNED	
	CHECKED	
	FILED	
	NO. _____	
	DATE _____	

PROFILE	SURVEYED	DATE
	PLOTTED	BY
	GRADES CHECKED	
	STRUCTURE NOTATIONS CHECKED	
	NO. _____	
	DATE _____	

FILE NAME: S:\Projects\2017 Projects\417-0035-01H\Geofray_Pearl_Sign\CAD Sheets\06-sht-plp-pr-f-Pearl.dgn



USER NAME = tgoetz	DESIGNED - TMG	REVISED - ADDENDUM 04/13/2020
MODEL NAME = PP-03	DRAWN - TMG	REVISED -
PLOT SCALE = 40,0000' / in.	CHECKED - LWJ	REVISED -
PLOT DATE = 4/13/2020	DATE -	REVISED -

STATE OF ILLINOIS
DEPARTMENT OF TRANSPORTATION

PEARL STREET PLAN & PROFILE SHEETS			
SCALE: 1:20	SHEET 3	OF 3 SHEETS	STA 34+00 TO STA 38+53

F.A.U. RTE. 8953	SECTION 16-00032-00-RS	COUNTY MADISON	TOTAL SHEETS 26	SHEET NO. 14
CONTRACT NO. 97678				
ILLINOIS FED. AID PROJECT				