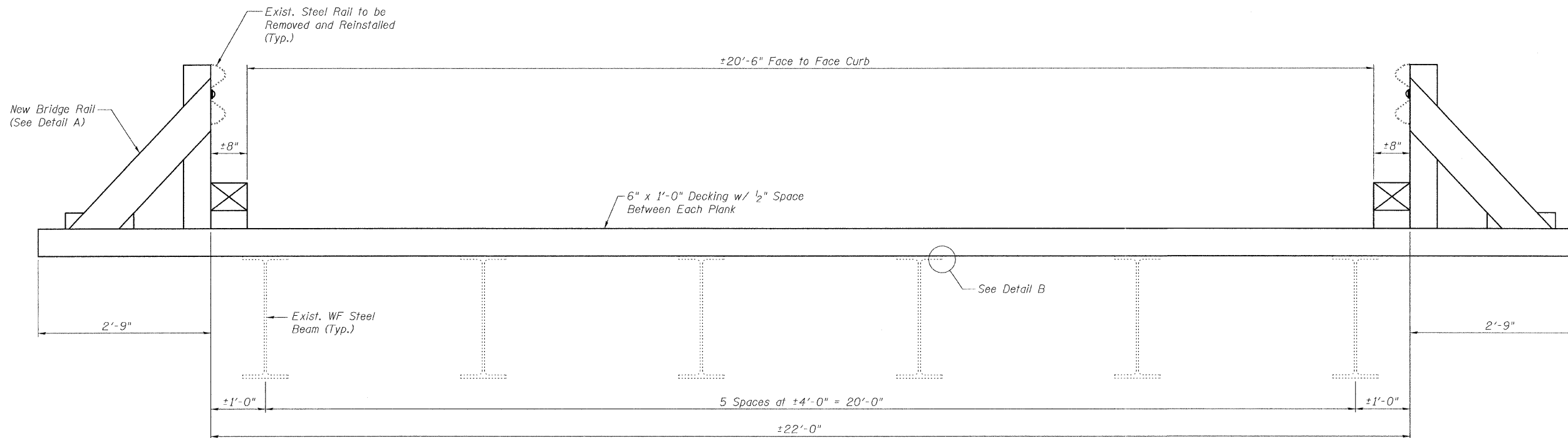
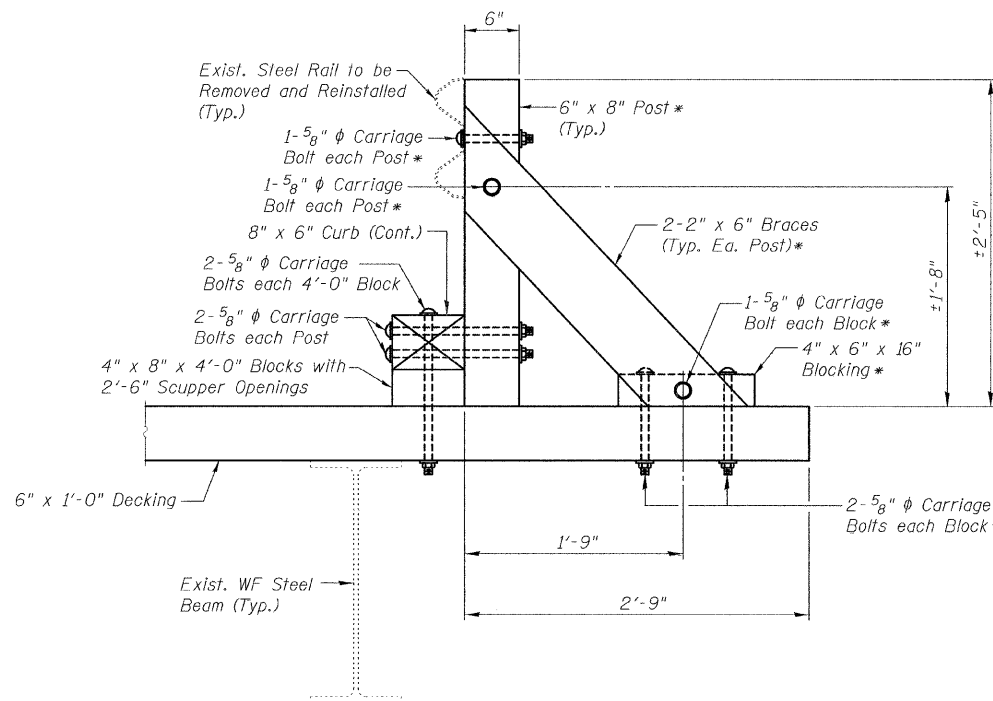


F.A.P. RTE.	SECTION	COUNTY	TOTAL SHEETS	SHEET NO.
		MARION	15	10
STA.		TO STA.		
FED. ROAD DIST. NO.	ILLINOIS	FED. AID PROJECT		

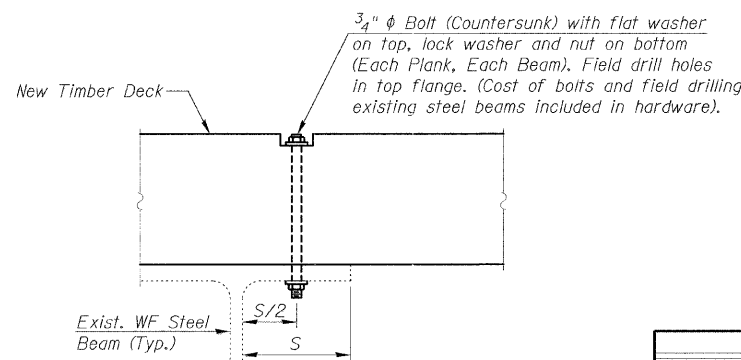


CROSS SECTION THRU BRIDGE



DETAIL A

* Included in the cost of "Bridge Rail".



DETAIL B

SUPERSTRUCTURE BILL OF MATERIAL

ITEM	UNIT	TOTAL
Treated Timber	F.B.M.	16795
Bridge Rail	Foot	233
Hardware	Pound	1212
Remove and Re-Erect Steel Plate Beam Guardrail, Single Rail	Foot	233

Note: The cost of the rail post, braces, blocking, and bridge rail hardware included with "Bridge Rail"

DESIGNED	F.L.L.
CHECKED	M.A.H.
DRAWN	F.L.L.
CHECKED	M.A.H.

**SUPERSTRUCTURE DETAILS
THUNDER BRIDGE
STEPHEN FORBES STATE PARK
MARION COUNTY
STRUCTURE NO. 061-9920**

PLT DATE = 8/15/88
FILE NAME = 011588