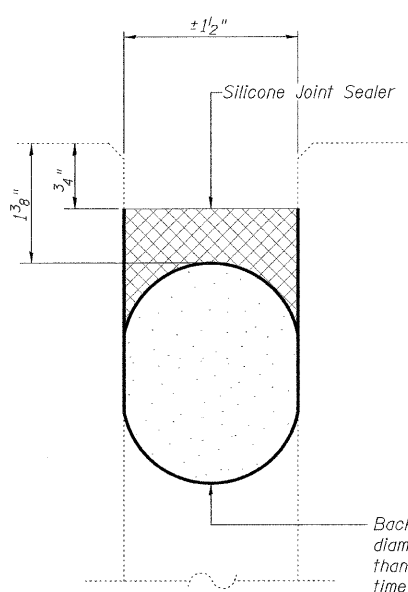
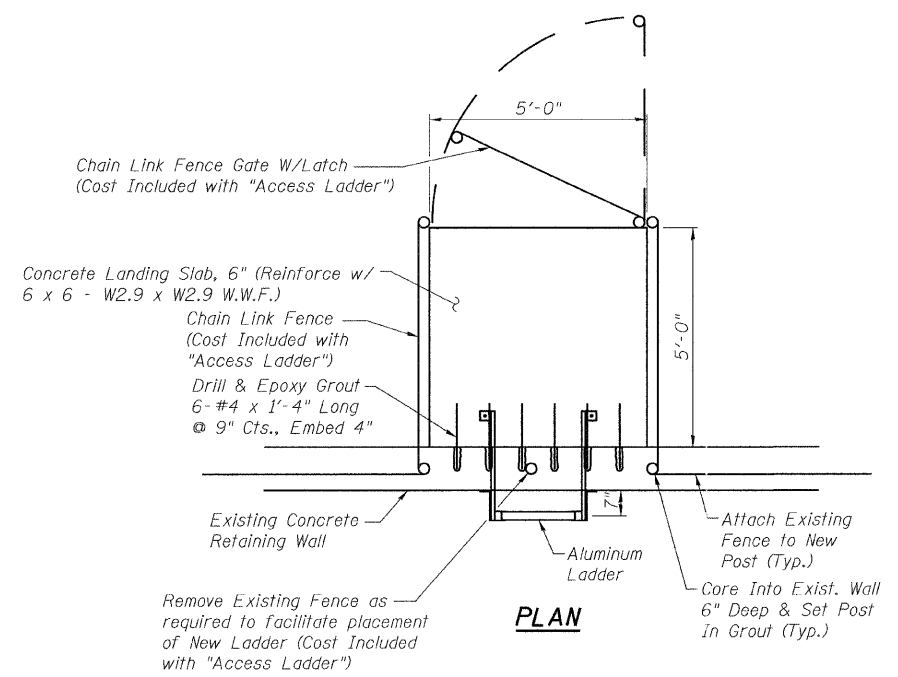


SILICONE BRIDGE JOINT SEALER DETAIL

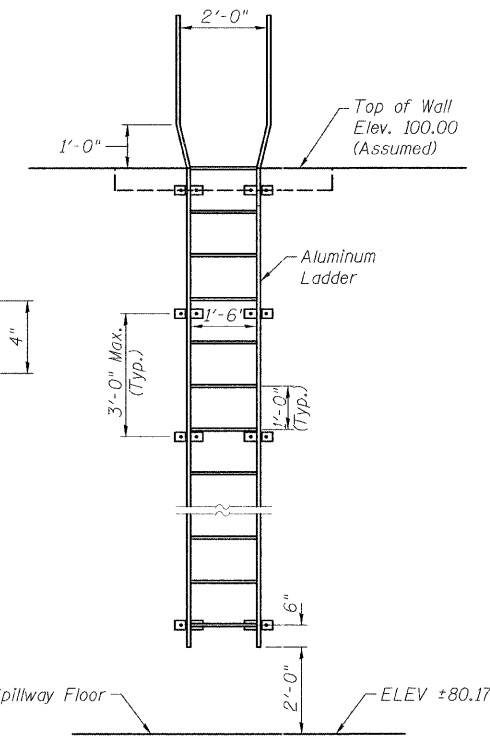


DETAIL A

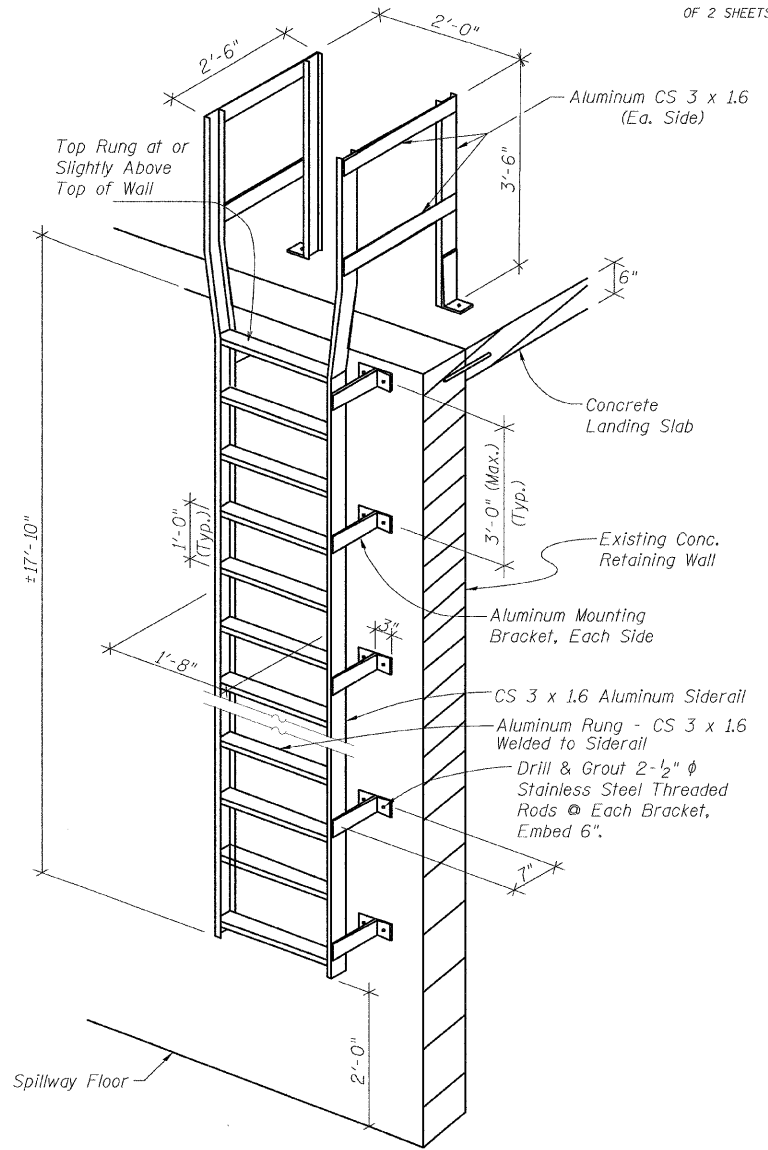
Backer Rod having a diameter 25% greater than joint opening at time of installation



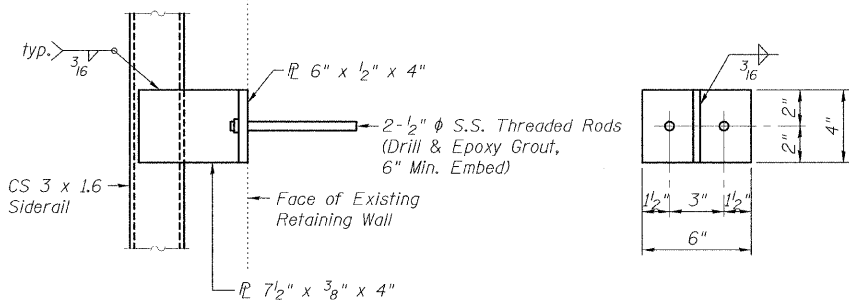
PLAN



ELEVATION



ALUMINUM LADDER DETAIL



ALUMINUM MOUNTING BRACKET

BILL OF MATERIAL

ITEM	UNIT	TOTAL
Silicone Joint Sealer	Foot	52
Access Ladder	Each	1
Concrete Landing Slab	Sq.Ft.	25

* 6 x 6 - W2.9 x W2.9 W.W.F. and drilled and epoxy grouted reinforcement bars included with "Concrete Landing Slab"

**SUPERSTRUCTURE DETAILS
SPILLWAY BRIDGE
STEPHEN FORBES STATE PARK
MARION COUNTY
STRUCTURE NO. 061-9900**

DESIGNED	F.L.L.
CHECKED	M.A.H.
DRAWN	F.L.L.
CHECKED	M.A.H.

PLT DATE = 8/27/88
FILE NAME = 011553